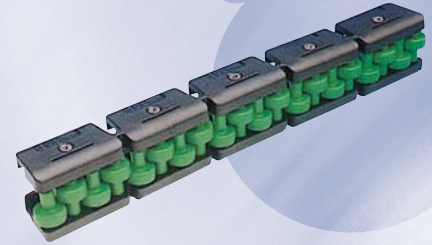


FLEXIBLE ROLLER MODULES for Straight & Curved Sections

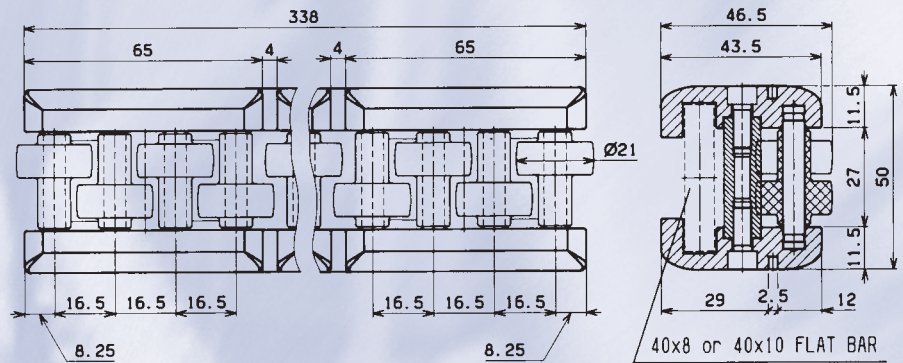
FLEXIBLE ROLLER MODULE

Material: Straps in reinforced Polyamide;
rollers in LF-Acetal; Pins,
Spacers and Bolts in Stainless
Steel AISI 304.

- Supplied as single modules
- Low Noise Rollers
- Excellent for Accumulation Areas
- Long life and Smooth Operation
- Easy and Quick Installation



CODE	FLAT BAR
16500	40x8
16505	40x10



SPLIT SHAFTING COLLARS

SPLIT SHAFTING COLLAR

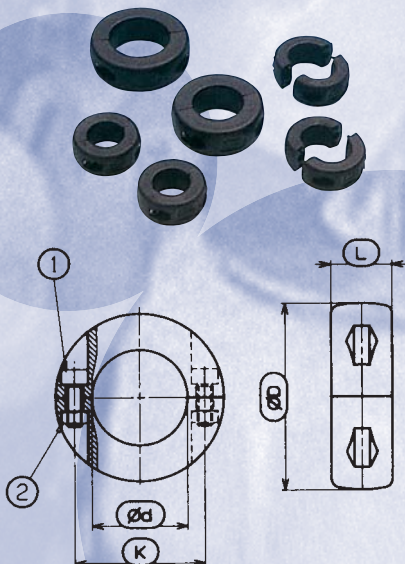
Material: Reinforced polyamide, bolts in
Stainless Steel.

These parts can be used on the conveyors
as a reference point when the side guides
need to be repositioned.

Note:

The new collars offer high
corrosion resistance. The new part
exhibits high strength at
considerably less cost than
stainless steel. The new collars
are the ideal replacement for
conventional collars in situations
where they cannot be easily
removed and replaced.

CODE	d	D	L	K	l
12698	12	30	12	20	TCEI M3
12700	14	28	12	20	TCEI M3
12701	16	30	12	22	TCEI M3
12699	18	39	14	27	TCEI M4
12702	20	39	14	29	TCEI M4
12703	25	44	14	34	TCEI M4
12704	30	49	16	39	TCEI M4
12705	35	56	16	45	TCEI M4
12706	40	63	18	51,1	TCEI M5



Applications:

