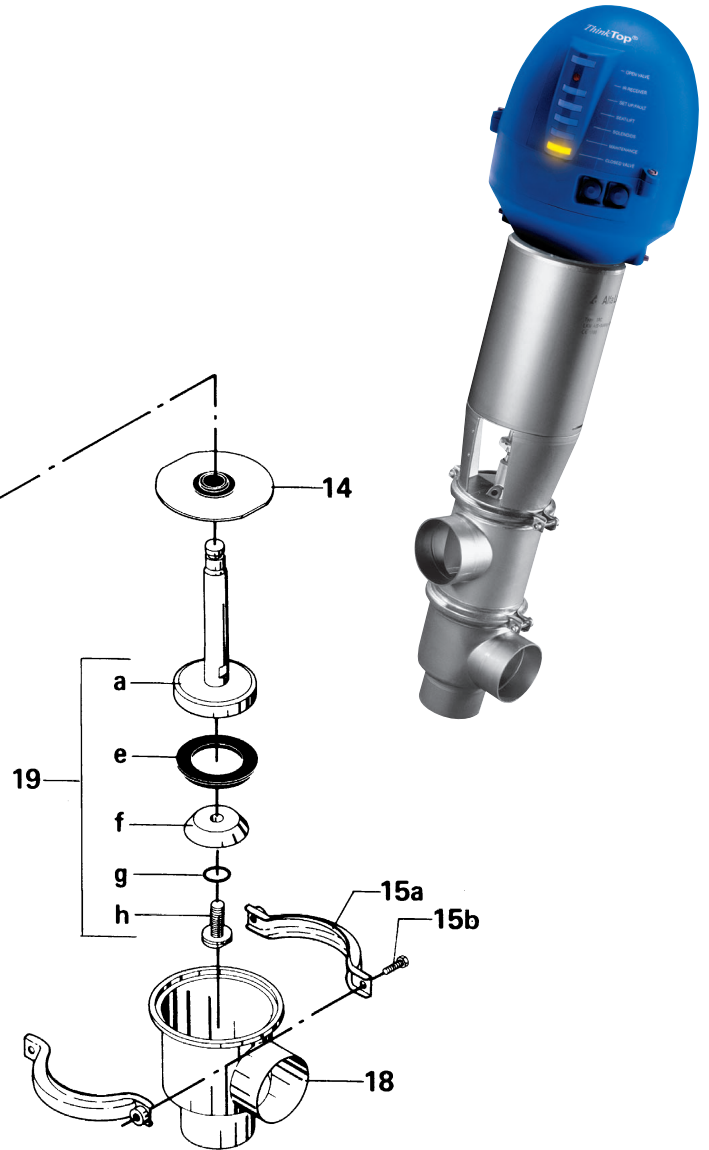
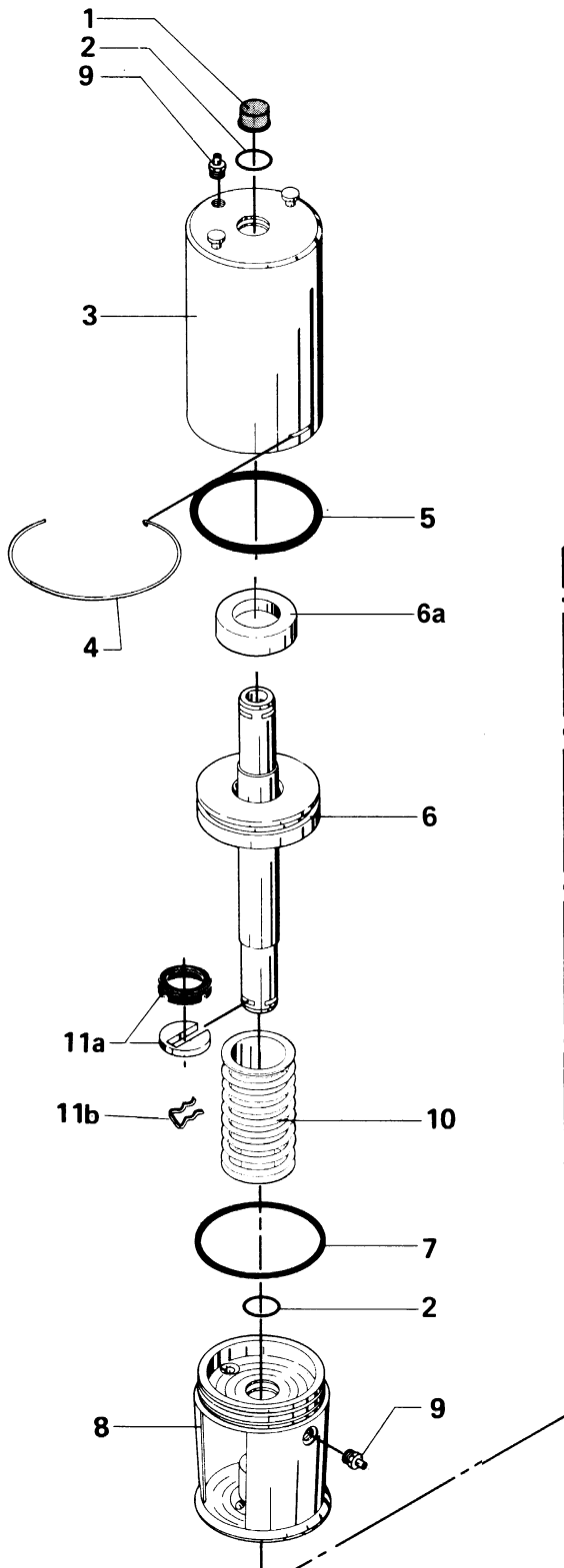
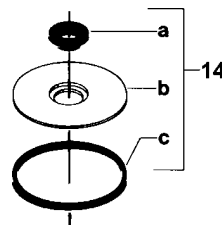


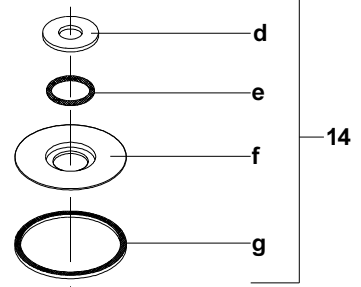
Sanitary Remote Controlled Valve
Stop Valve - 38-101.6 mm/DN40-100 - Type SRC



Alternatives Stem seal



Parts for FEP seal



Sanitary Remote-Controlled Valve Stop Valve - 38-101.6 mm/DN40-100 - Type SRC



ACTUATOR

Pos.	Qty	Denomination	DN 40 38 mm	DN 50 51 mm	DN65 63.5 mm	76 mm	DN 80	DN 100 101.6 mm
		Actuator -1, complete	31353-0206-1	31353-0206-1	31353-0206-1	31353-0214-1	31353-0214-1	31353-0214-1
		Actuator -2, complete	31353-0206-2	31353-0206-2	31353-0206-2	31353-0214-2	31353-0214-2	31353-0214-2
		Actuator -3, complete	31353-0206-3	31353-0206-3	31353-0206-3	31353-0214-3	31353-0214-3	31353-0214-3
1	1	Cap	31801-0525-6	31801-0525-6	31801-0525-6	31801-0525-5	31801-0525-5	31801-0525-5
2Δ	2	O-ring	223406-25	223406-25	223406-25	223406-49	223406-49	223406-49
3	1	Cylinder	31353-0139-1	31353-0139-1	31353-0139-1	31353-0185-1	31353-0185-1	31353-0185-1
4Δ	1	Lock Wire	31353-0151-1	31353-0151-1	31353-0151-1	31353-0189-1	31353-0189-1	31353-0189-1
5Δ	1	O-ring	223401-74	223401-74	223401-74	223401-75	223401-75	223401-75
6	1	Piston -1, -2	31353-0621-1	31353-0621-1	31353-0621-1	31353-0619-1	31353-0619-1	31353-0619-1
	1	Piston -3	31353-0621-2	31353-0621-2	31353-0621-2	31353-0619-2	31353-0619-2	31353-0619-2
6a	1	Stop ring (only for actuator-3)	31353-1217-2	31353-1217-2	31353-1217-2			
7Δ	1	O-ring	223406-67	223406-67	223406-67	223406-17	223406-17	223406-17
8	1	Bonnet	31353-0133-1	31353-0133-1	31353-0133-1	31353-0190-1	31353-0190-1	31353-0190-1
9*	2	Plug	31353-0154-1	31353-0154-1	31353-0154-1	31353-0154-1	31353-0154-1	31353-0154-1
10a*	1	Spring assembly (standard black) ..	31353-0625-1	31353-0625-1	31353-0625-1	31353-0622-1	31353-0622-1	31353-0622-1
10b*	1	Spring assembly with extra	31353-0625-2	31353-0625-2	31353-0625-2	31353-0622-2	31353-0622-2	31353-0622-2
		strong spring (white).						
11aΔ	1	Clip, complete (period 84.08-)	31353-0793-1	31353-0793-1	31353-0793-1	31353-0793-2	31353-0793-2	31353-0793-2
11b	1	Clip, (period 68.02 - 84.07)	31353-0130-1	31353-0130-1	31353-0130-1	31353-0130-1	31353-0130-1	31353-0130-1

Δ Service kit..... 9611-92-0008 9611-92-0008 9611-92-0008 9611-92-0009 9611-92-0009 9611-92-0009

* Only for actuator -1 and -2.

Valve Body Part

Pos.	Qty	Denomination	DN 40 38 mm	DN 50 51 mm	DN65 63.5 mm	76 mm	DN 80	DN 100 101.6 mm
Stem Seal								
14Δ	1	Lip seal, EPDM (standard)	31353-0155-1	31353-0155-1	31353-0155-1	31353-0188-1	31353-0188-1	31353-0188-1
	1	Lip seal, NBR	31353-0155-2	31353-0155-2	31353-0155-2	31353-0188-2	31353-0188-2	31353-0188-2
	1	Lip seal, FPM	31353-0155-3	31353-0155-3	31353-0155-3	31353-0188-3	31353-0188-3	31353-0188-3
Clamp								
15a+b	1	Clamps and screws	31320-0027-3	31320-0027-3	31320-0027-3	31320-0027-2	31320-0027-2	31320-0027-2
		(Period 9209-)						
15a	2	Clamp half (Period -9209)	31320-0022-1	31320-0022-1	31320-0022-1	31320-0021-1	31320-0021-1	31320-0021-1
15b	2	Screw (Period -9209)	2210936-18	2210936-18	2210936-18	2210936-18	2210936-18	2210936-18
Valve Body								
18	1	Valve body, 2 ports ISO	31353-0375-1	31353-0376-1	31353-0380-1	31353-0381-1		31353-0026-1
	1	Valve body, 2 ports DIN	9612-0940-01	9612-0941-01	9612-0942-01		9612-0943-01	9612-0944-01
18	1	Valve body, 3 ports ISO	31353-0375-6	31353-0376-6	31353-0380-6	31353-0381-6		31353-0026-6
	1	Valve body, 3 ports DIN	9612-0940-02	9612-0941-02	9612-0942-02		9612-0943-02	9612-0944-02

Valve Plug

19	1	Plug, single, complete EPDM	31353-0330-1	31353-0331-1	31353-0332-1	31353-0333-1	31353-0333-4	31353-0334-1
	1	Plug, single, complete NBR	31353-0330-2	31353-0331-2	31353-0332-2	31353-0333-2	31353-0333-5	31353-0334-2
	1	Plug, single, complete FPM	31353-0330-3	31353-0331-3	31353-0332-3	31353-0333-3	31353-0333-6	31353-0334-3
a	1	Stem	31353-0340-1	31353-0377-1	31353-0378-1	31353-0341-1	31353-0341-2	31353-0379-1
eΔ	1	Seal ring, EPDM (standard)	31353-0320-1	31353-0321-1	31353-0322-1	31353-0324-1	9612-0950-01	31353-0325-1
	1	Seal ring, NBR	31353-0320-2	31353-0321-2	31353-0322-2	31353-0324-2	9612-0950-02	31353-0325-2
	1	Seal ring, FPM	31353-0320-3	31353-0321-3	31353-0322-3	31353-0324-3	9612-0950-03	31353-0325-3
	1	Packing PTFE	31353-1211-1	31353-1212-1	31353-1213-1	31353-1214-1	31353-1225-1	31353-1215-1
f	1	Washer	31353-0357-1	31353-0358-1	31353-0359-1	31353-0360-1	31353-0360-2	31353-0361-1
gΔ	1	O-ring, EPDM (standard)	990034-01	990034-01	990034-01	990034-01	990034-01	990034-01
	1	O-ring, NBR	223404-21	223404-21	223404-21	223404-21	223404-21	223404-21
	1	O-ring, FPM	223404-35	223404-35	223404-35	223404-35	223404-35	223404-35
	1	Seal ring, PTFE	9612-4330-01	9612-4330-01	9612-4330-01	9612-4330-01	9612-4330-01	9612-4330-01
h	1	Screw	31353-0362-1	31353-0362-1	31353-0362-1	31353-0362-1	31353-0362-1	31353-0362-1

Valve Body with 0.8 RA finish inside

18	1	Valve body, 2 ports ISO	31353-0375-2	31353-0376-2	31353-0380-2	31353-0381-2		31353-0026-2
	1	Valve body, 2 ports DIN	9612-0940-03	9612-0941-03	9612-0942-03		9612-0943-03	9612-0944-03
18	1	Valve body, 3 ports ISO	31353-0375-3	31353-0376-3	31353-0380-3	31353-0381-3		31353-0026-3
	1	Valve body, 3 ports DIN	9612-0940-04	9612-0941-04	9612-0942-04		9612-0943-04	9612-0944-04

**Sanitary Remote-Controlled Valve
Stop Valve - 38-101.6 mm/DN40-100 - Type SRC**



Pos.	Qty	Denomination	DN 40 38 mm	DN 50 51 mm	DN65 63.5 mm	76 mm	DN 80	DN 100 101.6 mm
Valve Plug with 0.8 RA finish								
19	1	Plug, single, complete EPDM (standard)	31353-1090-1	31353-1091-1	31353-1092-1	31353-1093-1	31353-1093-4	31353-1094-1
	1	Plug, single, complete NBR	31353-1090-2	31353-1091-2	31353-1092-2	31353-1093-2	31353-1093-5	31353-1094-2
	1	Plug, single, complete FPM	31353-1090-3	31353-1091-3	31353-1092-3	31353-1093-3	31353-1093-6	31353-1094-3
a	1	Stem	31353-1007-1	31353-1007-2	31353-1007-3	31353-1007-4	31353-1007-8	31353-1007-5
f	1	Washer	31353-1010-1	31353-1010-2	31353-1010-3	31353-1010-4	31353-1010-6	31353-1010-5
h	1	Screw	31353-1011-1	31353-1011-1	31353-1011-1	31353-1011-1	31353-1011-1	31353-1011-1
Δ		Service kit EPDM	9611-92-0010	9611-92-0013	9611-92-0016	9611-92-0019	9611-92-0105	9611-92-0022
Δ		Service kit NBR	9611-92-0011	9611-92-0014	9611-92-0017	9611-92-0020	9611-92-0106	9611-92-0023
Δ		Service kit FPM	9611-92-0012	9611-92-0015	9611-92-0018	9611-92-0021	9611-92-0107	9611-92-0024

Parts marked with Δ are included in the **service kits**

Alternatives

Stem seal

14	1	Lip seal kit, EPDM (standard) ...	9611-92-0078	9611-92-0078	9611-92-0078	9611-92-0142	9611-92-0142	9611-92-0142
	1	Lip seal kit, NBR	9611-92-0079	9611-92-0079	9611-92-0079	9611-92-0143	9611-92-0143	9611-92-0143
	1	Lip seal kit, FPM	9611-92-0080	9611-92-0080	9611-92-0080	9611-92-0144	9611-92-0144	9611-92-0144
a●	1	Lip seal, EPDM	9612-2806-01	9612-2806-01	9612-2806-01	9612-3088-01	9612-3088-01	9612-3088-01
	1	Lip seal, NBR	9612-2806-02	9612-2806-02	9612-2806-02	9612-3088-02	9612-3088-02	9612-3088-02
	1	Lip seal, FPM	9612-2806-03	9612-2806-03	9612-2806-03	9612-3088-03	9612-3088-03	9612-3088-03
b	1	Plate	9612-2805-01	9612-2805-01	9612-2805-01	9612-3087-01	9612-3087-01	9612-3087-01
c●	1	Seal ring, EPDM	31353-0128-1	31353-0128-1	31353-0128-1	31353-0205-1	31353-0205-1	31353-0205-1
	1	Seal ring, NBR	31353-0128-2	31353-0128-2	31353-0128-2	31353-0205-2	31353-0205-2	31353-0205-2
	1	Seal ring, FPM	31353-0128-3	31353-0128-3	31353-0128-3	31353-0205-3	31353-0205-3	31353-0205-3

Stem seal

14d	1	Washer	31353-0452-1	31353-0452-1	31353-0452-1	31353-0452-2	31353-0452-2	31353-0452-2
e●	1	O-ring FEP/Silicone	9611-99-2909	9611-99-2909	9611-99-2909	9611-99-2910	9611-99-2910	9611-99-2910
f	1	Holder	31353-0453-1	31353-0453-1	31353-0453-1	31353-0454-1	31353-0454-1	31353-0454-1
g●	1	Valve body packing	31353-0451-1	31353-0451-1	31353-0451-1	31353-0451-2	31353-0451-2	31353-0451-2

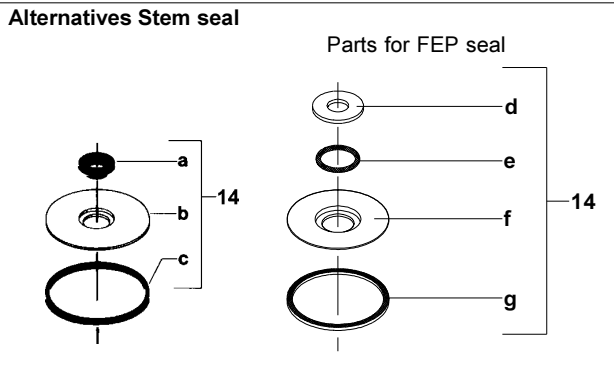
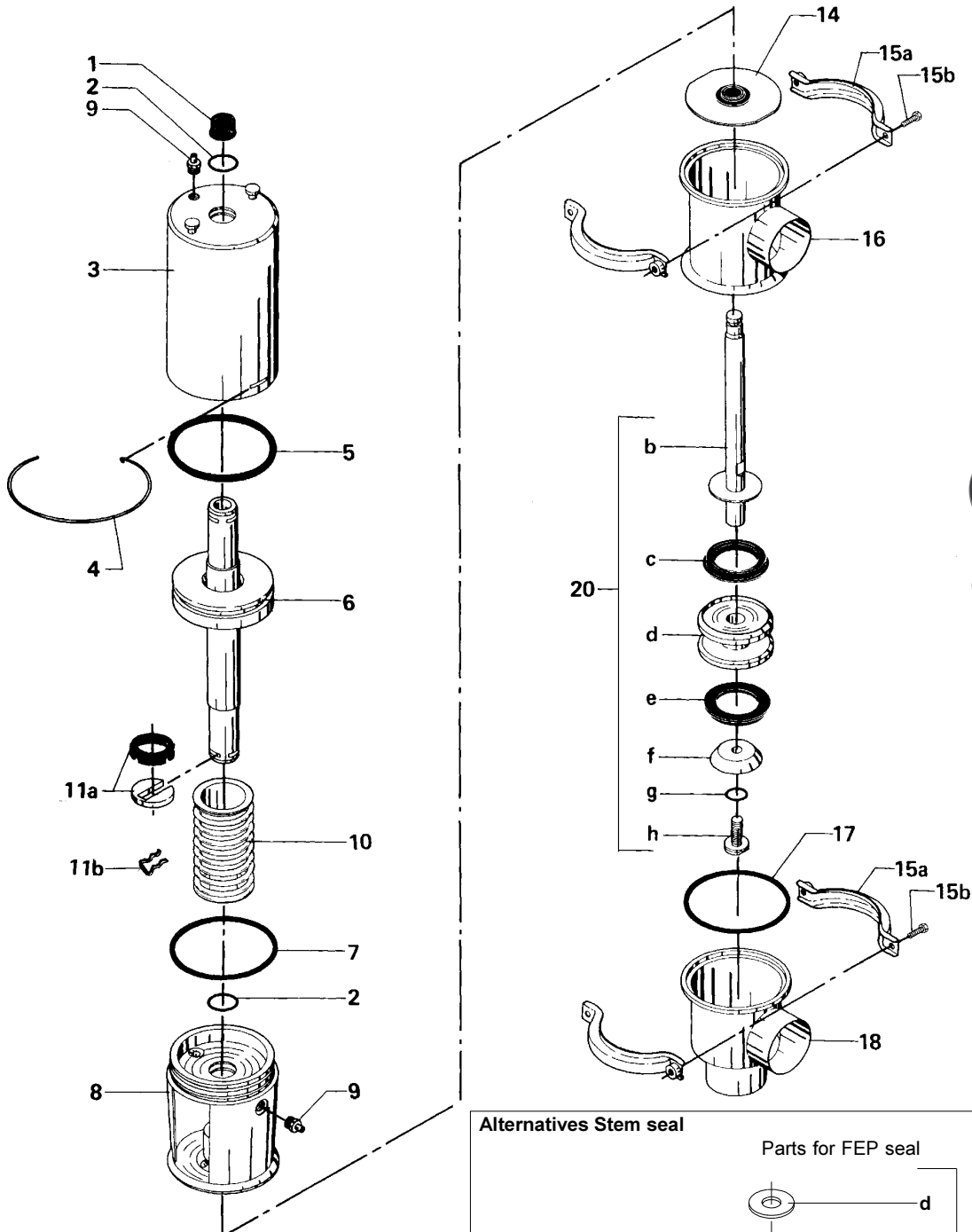
Service kits special lip seals (marked ●)

●	Service kit EPDM	9611-92-0447	9611-92-0451	9611-92-0455	9611-92-0459	9611-92-0463	9611-92-0467
●	Service kit NBR	9611-92-0448	9611-92-0452	9611-92-0456	9611-92-0460	9611-92-0464	9611-92-0468
●	Service kit FPM	9611-92-0449	9611-92-0453	9611-92-0457	9611-92-0461	9611-92-0465	9611-92-0469
●	Service kit FEP	9611-92-0450	9611-92-0454	9611-92-0458	9611-92-0462	9611-92-0466	9611-92-0470

Recommended spare parts: **Service kits.**

Sanitary Remote-Controlled Valve

Change-over Valve - 38-101.6 mm/DN40-100 - Type SRC



See over page for relevant parts table

Sanitary Remote-Controlled Valve Change-over Valve - 38-101.6 mm/DN40-100 - Type SRC



ACTUATOR

Pos.	Qty	Denomination	DN 40 38 mm	DN 50 51 mm	DN65 63.5 mm	76 mm	DN 80	DN 100 101.6 mm
		Actuator -1, complete	31353-0206-1	31353-0206-1	31353-0206-1	31353-0214-1	31353-0214-1	31353-0214-1
		Actuator -2, complete	31353-0206-2	31353-0206-2	31353-0206-2	31353-0214-2	31353-0214-2	31353-0214-2
		Actuator -3, complete	31353-0206-3	31353-0206-3	31353-0206-3	31353-0214-3	31353-0214-3	31353-0214-3
1	1	Cap	31801-0525-6	31801-0525-6	31801-0525-6	31801-0525-5	31801-0525-5	31801-0525-5
2Δ	2	O-ring	223406-25	223406-25	223406-25	223406-49	223406-49	223406-49
3	1	Cylinder	31353-0139-1	31353-0139-1	31353-0139-1	31353-0185-1	31353-0185-1	31353-0185-1
4Δ	1	Lock Wire	31353-0151-1	31353-0151-1	31353-0151-1	31353-0189-1	31353-0189-1	31353-0189-1
5Δ	1	O-ring	223401-74	223401-74	223401-74	223401-75	223401-75	223401-75
6	1	Piston -1, -2	31353-0621-1	31353-0621-1	31353-0621-1	31353-0619-1	31353-0619-1	31353-0619-1
	1	Piston -3	31353-0621-2	31353-0621-2	31353-0621-2	31353-0619-2	31353-0619-2	31353-0619-2
7Δ	1	O-ring	223406-67	223406-67	223406-67	223406-17	223406-17	223406-17
8	1	Bonnet	31353-0133-1	31353-0133-1	31353-0133-1	31353-0190-1	31353-0190-1	31353-0190-1
9*	2	Plug	31353-0154-1	31353-0154-1	31353-0154-1	31353-0154-1	31353-0154-1	31353-0154-1
10a*	1	Spring assembly (standard black)	31353-0625-1	31353-0625-1	31353-0625-1	31353-0622-1	31353-0622-1	31353-0622-1
10b*	1	Spring assembly with extra strong spring (white)	31353-0625-2	31353-0625-2	31353-0625-2	31353-0622-2	31353-0622-2	31353-0622-2
11aΔ	1	Clip, complete (period 84.08-)	31353-0793-1	31353-0793-1	31353-0793-1	31353-0793-2	31353-0793-2	31353-0793-2
11b	1	Clip, (period 68.02 - 84.07)	31353-0130-1	31353-0130-1	31353-0130-1	31353-0130-1	31353-0130-1	31353-0130-1
Δ		Service kit	9611-92-0008	9611-92-0008	9611-92-0008	9611-92-0009	9611-92-0009	9611-92-0009

* Only for actuator -1 and -2.

Valve Body Part

Pos.	Qty	Denomination	DN 40 38 mm	DN 50 51 mm	DN65 63.5 mm	76 mm	DN 80	DN 100 101.6 mm
Stem Seal								
14Δ	1	Lip seal, EPDM (standard)	31353-0155-1	31353-0155-1	31353-0155-1	31353-0188-1	31353-0188-1	31353-0188-1
	1	Lip seal, NBR	31353-0155-2	31353-0155-2	31353-0155-2	31353-0188-2	31353-0188-2	31353-0188-2
	1	Lip seal, FPM	31353-0155-3	31353-0155-3	31353-0155-3	31353-0188-3	31353-0188-3	31353-0188-3
Clamp								
15a+b2		Clamps and screws (Period 9209-)	31320-0027-3	31320-0027-3	31320-0027-3	31320-0027-2	31320-0027-2	31320-0027-2
15a	4	Clamp half (Period -9209)	31320-0022-1	31320-0022-1	31320-0022-1	31320-0021-1	31320-0021-1	31320-0021-1
15b	4	Screw (Period -9209)	2210936-18	2210936-18	2210936-18	2210936-18	2210936-18	2210936-18
Valve Body								
16	1	Valve body, upper, 1 port ISO	31353-0053-1	31353-0054-1	31353-0055-1	31353-0056-1		31353-0058-1
	1	Valve body, upper, 1 port DN	9612-0945-01	9612-0946-01	9612-0947-01		9612-0948-01	9612-0949-01
16	1	Valve body, upper, 2 ports ISO	31353-0053-6	31353-0054-6	31353-0055-6	31353-0056-6		31353-0058-6
	1	Valve body, upper, 2 ports DN	9612-0945-02	9612-0946-02	9612-0947-02		9612-0948-02	9612-0949-02
17Δ●	1	Valve body seal ring, EPDM (standard)	31353-0128-1	31353-0128-1	31353-0128-1	31353-0205-1	31353-0205-1	31353-0205-1
	1	Valve body seal ring, NBR	31353-0128-2	31353-0128-2	31353-0128-2	31353-0205-2	31353-0205-2	31353-0205-2
	1	Valve body seal ring, FPM	31353-0128-3	31353-0128-3	31353-0128-3	31353-0205-3	31353-0205-3	31353-0205-3
	1	Valve body packing, PTFE	31353-0451-1	31353-0451-1	31353-0451-1	31353-0451-2	31353-0451-2	31353-0451-2
18	1	Valve body, lower, 2 ports ISO	31353-0375-1	31353-0376-1	31353-0380-1	31353-0381-1		31353-0026-1
	1	Valve body, lower, 2 ports DN	9612-0940-01	9612-0941-01	9612-0942-01		9612-0943-01	9612-0944-01
18	1	Valve body, lower, 3 ports ISO	31353-0375-6	31353-0376-6	31353-0380-6	31353-0381-6		31353-0026-6
	1	Valve body, lower, 3 ports DN	9612-0940-02	9612-0941-02	9612-0942-02		9612-0943-02	9612-0944-02
Valve Plug								
20	1	Plug, double, complete EPDM (standard)	31353-0335-1	31353-0336-1	31353-0337-1	31353-0338-1	31353-0338-4	31353-0339-1
	1	Plug, double, complete NBR	31353-0335-2	31353-0336-2	31353-0337-2	31353-0338-2	31353-0338-5	31353-0339-2
	1	Plug, double, complete FPM	31353-0335-3	31353-0336-3	31353-0337-3	31353-0338-3	31353-0338-6	31353-0339-3
b		Stem	31353-0349-1	31353-0349-2	31353-0349-3	31353-0350-1	31353-0350-3	31353-0350-2
cΔ●	1	Seal ring, upper, EPDM (standard)	31353-0321-1	31353-0321-1	31353-0323-1	31353-0324-1	31353-0324-1	31353-0325-1
	1	Seal ring, upper, NBR	31353-0321-2	31353-0321-2	31353-0323-2	31353-0324-2	31353-0324-2	31353-0325-2
	1	Seal ring, upper, FPM	31353-0321-3	31353-0321-3	31353-0323-3	31353-0324-3	31353-0324-3	31353-0325-3
	1	Packing upper, PTFE	31353-1212-1	31353-1212-1	31353-1216-1	31353-1214-1	31353-1214-1	31353-1215-1
d	1	Middle piece	31353-0363-1	31353-0364-1	31353-0365-1	31353-0366-1	9612-0984-01	31353-0367-1
eΔ●	1	Seal ring, lower, EPDM (standard)	31353-0320-1	31353-0321-1	31353-0322-1	31353-0324-1	9612-0950-01	31353-0325-1
	1	Seal ring, lower, NBR	31353-0320-2	31353-0321-2	31353-0322-2	31353-0324-2	9612-0950-02	31353-0325-2
	1	Seal ring, lower, FPM	31353-0320-3	31353-0321-3	31353-0322-3	31353-0324-3	9612-0950-03	31353-0325-3
	1	Packing, PTFE	31353-1211-1	31353-1212-1	31353-1213-1	31353-1214-1	31353-1225-1	31353-1215-1
f	1	Washer	31353-0357-1	31353-0358-1	31353-0359-1	31353-0360-1	31353-0360-2	31353-0361-1

Sanitary Remote-Controlled Valve Change-over Valve - 38-101.6 mm/DN40-100 - Type SRC



Pos.	Qty	Denomination	DN 40 38 mm	DN 50 51 mm	DN65 63.5 mm	76 mm	DN 80	DN 100 101.6 mm
g	1	O-ring, EPDM (standard)	990034-01	990034-01	990034-01	990034-01	990034-01	990034-01
	1	O-ring, NBR	223404-21	223404-21	223404-21	223404-21	223404-21	223404-21
	1	O-ring, FPM	223404-35	223404-35	223404-35	223404-35	223404-35	223404-35
	1	Seal-ring PTFE	9612-4330-01	9612-4330-01	9612-4330-01	9612-4330-01	9612-4330-01	9612-4330-01
h	1	Screw	31353-0362-1	31353-0362-1	31353-0362-1	31353-0362-1	31353-0362-1	31353-0362-1
Valve Body with 0.8 RA finish inside								
16	1	Valve body, upper, 1 port ISO	31353-0053-2	31353-0054-2	31353-0055-2	31353-0056-2		31353-0058-2
	1	Valve body, upper, 1 port DN	9612-0945-03	9612-0946-03	9612-0947-03		9612-0948-03	9612-0949-03
16	1	Valve body, upper, 2 ports ISO	31353-0053-3	31353-0054-3	31353-0055-3	31353-0056-3		31353-0058-3
	1	Valve body, upper, 2 ports DN	9612-0945-04	9612-0946-04	9612-0947-04		9612-0948-04	9612-0949-04
18	1	Valve body, lower, 2 ports ISO	31353-0375-2	31353-0376-2	31353-0380-2	31353-0381-2		31353-0026-2
	1	Valve body, lower, 2 ports DN	9612-0940-03	9612-0941-03	9612-0942-03		9612-0943-03	9612-0944-03
18	1	Valve body, lower, 3 ports ISO	31353-0375-3	31353-0376-3	31353-0380-3	31353-0381-3		31353-0026-3
	1	Valve body, lower, 3 ports DN	9612-0940-04	9612-0941-04	9612-0942-04		9612-0943-04	9612-0944-04
Valve Plug with 0.8 RA finish								
20	1	Plug, double, complete EPDM (standard)	31353-1095-1	31353-1096-1	31353-1097-1	31353-1098-1	31353-1098-4	31353-1099-1
	1	Plug, double, complete NBR	31353-1095-2	31353-1096-2	31353-1097-2	31353-1098-2	31353-1098-5	31353-1099-2
	1	Plug, double, complete FPM	31353-1095-3	31353-1096-3	31353-1097-3	31353-1098-3	31353-1098-6	31353-1099-3
b	1	Stem	31353-1008-1	31353-1008-2	31353-1008-3	31353-1008-4	31353-1008-8	31353-1008-5
d	1	Middle piece	31353-1009-1	31353-1009-2	31353-1009-3	31353-1009-4	9612-1009-06	31353-1009-5
f	1	Washer	31353-1010-1	31353-1010-2	31353-1010-3	31353-1010-4	31353-1010-6	31353-1010-5
h	1	Screw	31353-1011-1	31353-1011-1	31353-1011-1	31353-1011-1	31353-1011-1	31353-1011-1
Δ		Service kit EPDM	9611-92-0025	9611-92-0028	9611-92-0031	9611-92-0034	9611-92-0108	9611-92-0037
Δ		Service kit NBR	9611-92-0026	9611-92-0029	9611-92-0032	9611-92-0035	9611-92-0109	9611-92-0038
Δ		Service kit FPM	9611-92-0027	9611-92-0030	9611-92-0033	9611-92-0036	9611-92-0110	9611-92-0039

Parts marked with Δ are included in the service kits.

Alternatives

Stem seal

14	1	Lip seal kit, EPDM (standard)	9611-92-0078	9611-92-0078	9611-92-0078	9611-92-0142	9611-92-0142	9611-92-0142
	1	Lip seal kit, NBR	9611-92-0079	9611-92-0079	9611-92-0079	9611-92-0143	9611-92-0143	9611-92-0143
	1	Lip seal kit, FPM	9611-92-0080	9611-92-0080	9611-92-0080	9611-92-0144	9611-92-0144	9611-92-0144
a	1	Lip seal, EPDM	9612-2806-01	9612-2806-01	9612-2806-01	9612-3088-01	9612-3088-01	9612-3088-01
	1	Lip seal, NBR	9612-2806-02	9612-2806-02	9612-2806-02	9612-3088-02	9612-3088-02	9612-3088-02
	1	Lip seal, FPM	9612-2806-03	9612-2806-03	9612-2806-03	9612-3088-03	9612-3088-03	9612-3088-03
b	1	Plate	9612-2805-01	9612-2805-01	9612-2805-01	9612-3087-01	9612-3087-01	9612-3087-01
c	1	Seal ring, EPDM	31353-0128-1	31353-0128-1	31353-0128-1	31353-0205-1	31353-0205-1	31353-0205-1
	1	Seal ring, NBR	31353-0128-2	31353-0128-2	31353-0128-2	31353-0205-2	31353-0205-2	31353-0205-2
	1	Seal ring, FPM	31353-0128-3	31353-0128-3	31353-0128-3	31353-0205-3	31353-0205-3	31353-0205-3

Stem seal

14d	1	Washer	31353-0452-1	31353-0452-1	31353-0452-1	31353-0452-2	31353-0452-2	31353-0452-2
e	1	O-ring FEP/Silicone	9611-99-2909	9611-99-2909	9611-99-2909	9611-99-2910	9611-99-2910	9611-99-2910
f	1	Holder	31353-0453-1	31353-0453-1	31353-0453-1	31353-0454-1	31353-0454-1	31353-0454-1
g	1	Valve body packing	31353-0451-1	31353-0451-1	31353-0451-1	31353-0451-2	31353-0451-2	31353-0451-2

Service kits special lip seals (marked ●)

●	Service kit EPDM	9611-92-0471	9611-92-0475	9611-92-0479	9611-92-0483	9611-92-0487	9611-92-0491
●	Service kit NBR	9611-92-0472	9611-92-0476	9611-92-0480	9611-92-0484	9611-92-0488	9611-92-0492
●	Service kit FPM	9611-92-0473	9611-92-0477	9611-92-0481	9611-92-0485	9611-92-0489	9611-92-0493
●	Service kit FEP	9611-92-0474	9611-92-0478	9611-92-0482	9611-92-0486	9611-92-0490	9611-92-0494

Recommended spare parts: Service kits.