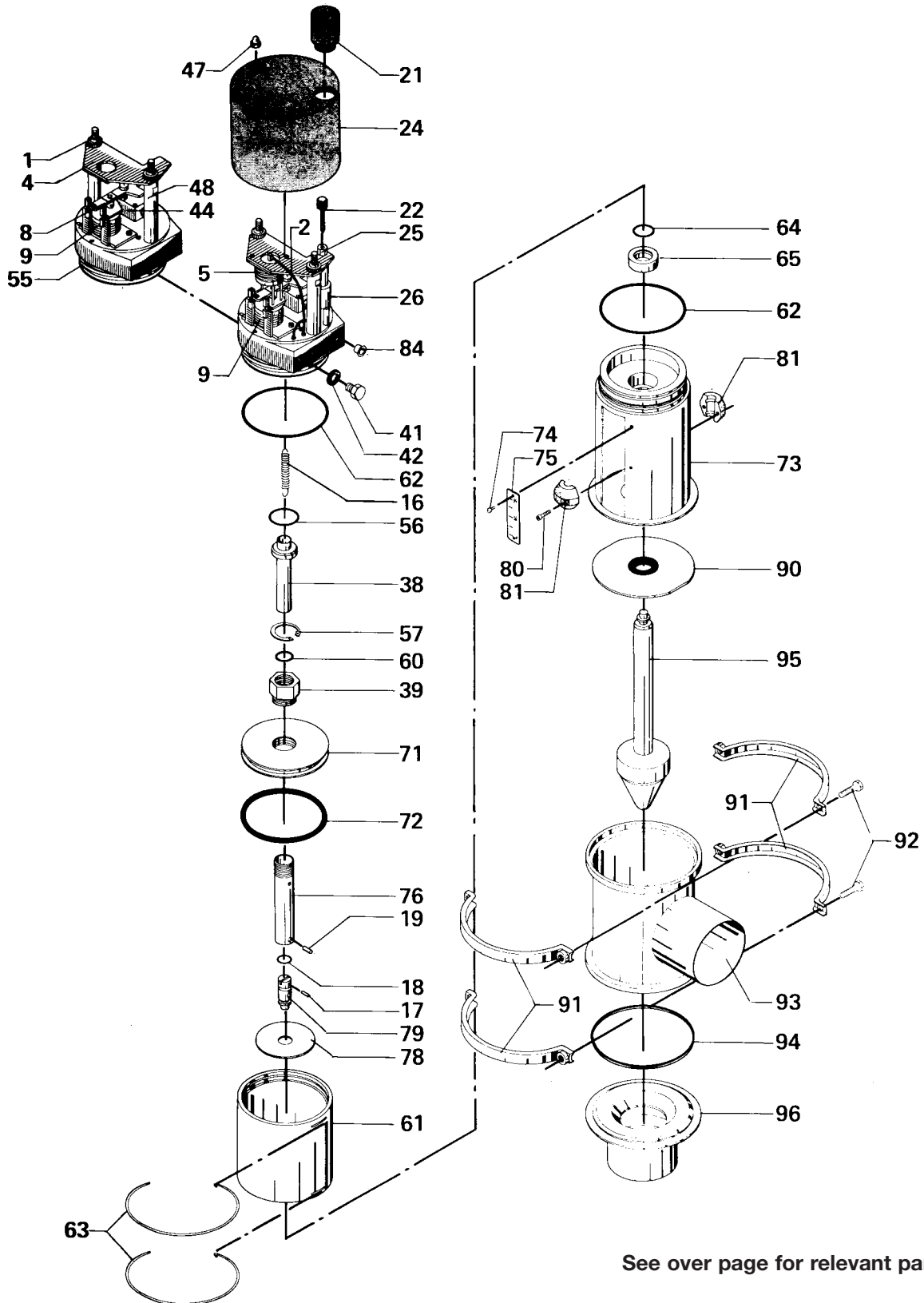


Valves

Types SPC-P & SPC-L



See over page for relevant parts table

Valves
Types SPC-P & SPC-L



Actuator

Pos.	Qty.	Denomination	SPC-P	SPC-L
		Actuator, compl. 38-63.5 mm	31353-0297-1	31353-0387-1
		Actuator, compl. 76-101.6 mm	31353-0297-3	31353-0389-1
1	2	Nut, knurled		31801-2258-1
2	1	Rubber tube, (actuator end to upper bellows) ...	31801-2264-2	
4	1	Bracket for bellows and set, point valve	31801-2259-1	
5	1	Upper bellows		31801-1348-3
8	1	Upper moment lever with flapper	31801-1348-4	31801-1348-4
9	1	Lower bellows with moment lever	31801-1348-1	31801-1348-2
16	1	Feedback spring	31801-1349-2	31801-1349-3
17	1	Locking pin	31801-2278-2	31801-2278-2
18	1	O-ring	223404-32	223404-32
19	1	Locking pin	31801-2278-1	31801-2278-1
21	1	Cover, small		31801-2257-1
22	1	Knob with set screw		31801-2261-1
24	1	Cover, large	31801-2257-2	31801-2257-2
25	1	Lock nut		31801-2258-2
26	1	Set point valve		31801-1426-1
38	1	Inner tube	31801-2272-1	31801-2272-1
39	1	Nut for piston	31801-2258-3	31801-2258-3
41	5	Plug	31801-2260-4	31801-2260-4
42	5	Packing	31801-2265-2	31801-2265-2
44	1	Nozzle block	31801-2267-1	31801-2267-1
47	2	Cap nut	221851-13	221851-13
48	2	Stud bolt	31801-2260-1	31801-2260-1
55	1	Upper actuator end	31801-2269-1	31801-2269-1
56	1	O-ring	223406-51	223406-51
57	1	Lock ring	31801-2271-2	31801-2271-2
60	1	X-ring	260165-01	260165-01
61	1	Cylinder	31801-2273-1	31801-2273-1
62	2	O-ring	223406-69	223406-69
63	2	Lock wire	31801-1309-1	31801-1309-1
64	1	X-ring	260165-02	260165-02
65	1	Insert	31801-2280-1	31801-2280-1
71	1	Piston	31801-2274-1	31801-2274-1
72	1	X-ring	260165-03	260165-03
73	1	Bonnet, 38-63.5 mm	31353-0286-1	31353-0286-1
	1	Bonnet, 76-101.6 mm	31353-0308-1	31353-0308-1
74	2	Screw	31801-1308-5	31801-1308-5
75	1	Scale	31801-2268-3	31801-2268-3
76	1	Piston rod	31801-2276-1	31801-2276-1
78	1	Indicator	31801-2277-1	31801-2277-1
79	1	Piston-rod end	31801-2276-2	31801-2276-2
80	2	Screw	31801-1308-1	31801-1308-1
81	2	Clamp half	31801-1307-1	31801-1307-1
84	1	Plug, DBI	31801-0525-1	31801-0525-1

Valves
Types SPC-P & SPC-L



Pos.	Qty.	Denomination	38 mm	51 mm	63,5 mm	76 mm	101,6 mm
90	1	Lip seal, EPDM (std.).....	31353-0155-1	31353-0155-1	31353-0155-1	31353-0188-1	31353-0188-1
	1	Lip seal, NBR.....	31353-0155-2	31353-0155-2	31353-0155-2	31353-0188-2	31353-0188-2
	1	Lip seal, FPM.....	31353-0155-3	31353-0155-3	31353-0155-3	31353-0188-3	31353-0188-3
Clamp							
91+92	2	Clamp and screws (Period 9209-).....	31320-0027-1	31320-0027-1	31320-0027-1	31320-0027-2	31320-0027-2
91	4	Clamp half (Period -9209).....	31320-0022-1	31320-0022-1	31320-0022-1	31320-0021-1	31320-0021-1
92	4	Screw (Period -9209).....	2210936-18	2210936-18	2210936-18	2210936-18	2210936-18
Valve bodies							
93	1	Valve body (type W).....	31353-0266-1	31353-0267-1	31353-0268-1	31353-0304-1	31353-0305-1
94	1	Packing, EPDM (std.).....	31353-0128-1	31353-0128-1	31353-0128-1	31353-0205-1	31353-0205-1
	1	Packing, NBR.....	31353-0128-2	31353-0128-2	31353-0128-2	31353-0205-2	31353-0205-2
	1	Packing, FPM.....	31353-0128-3	31353-0128-3	31353-0128-3	31353-0205-3	31353-0205-3
Plug and Seat							
95	1	Plug, Kv 2.5.....	31353-0277-1				
	1	Plug, Kv 9.....	31353-0278-1				
	1	Plug, Kv 29.....	31353-0279-1				
	1	Plug, Kv 51.....		31353-0280-1	31353-0280-1		
	1	Plug, Kv 42.....		31353-0299-1	31353-0299-1		
	1	Plug, Kv 64.....		31353-0300-1	31353-0300-1		
	1	Plug, Kv 64.....				31353-0311-1	
	1	Plug, Kv 135.....					31353-0316-1
	1	Plug, Kv 135.....					
96	1	Seat, Kv 2.5.....	31353-0272-1				
	1	Seat, Kv 9.....	31353-0272-2				
	1	Seat, Kv 29.....	31353-0272-3				
	1	Seat, Kv 51.....		31353-0272-5			
	1	Seat, Kv 42 and 64.....			31353-0272-4		
	1	Seat, Kv 64.....				31353-0312-1	
	1	Seat, Kv 135.....					31353-0317-1