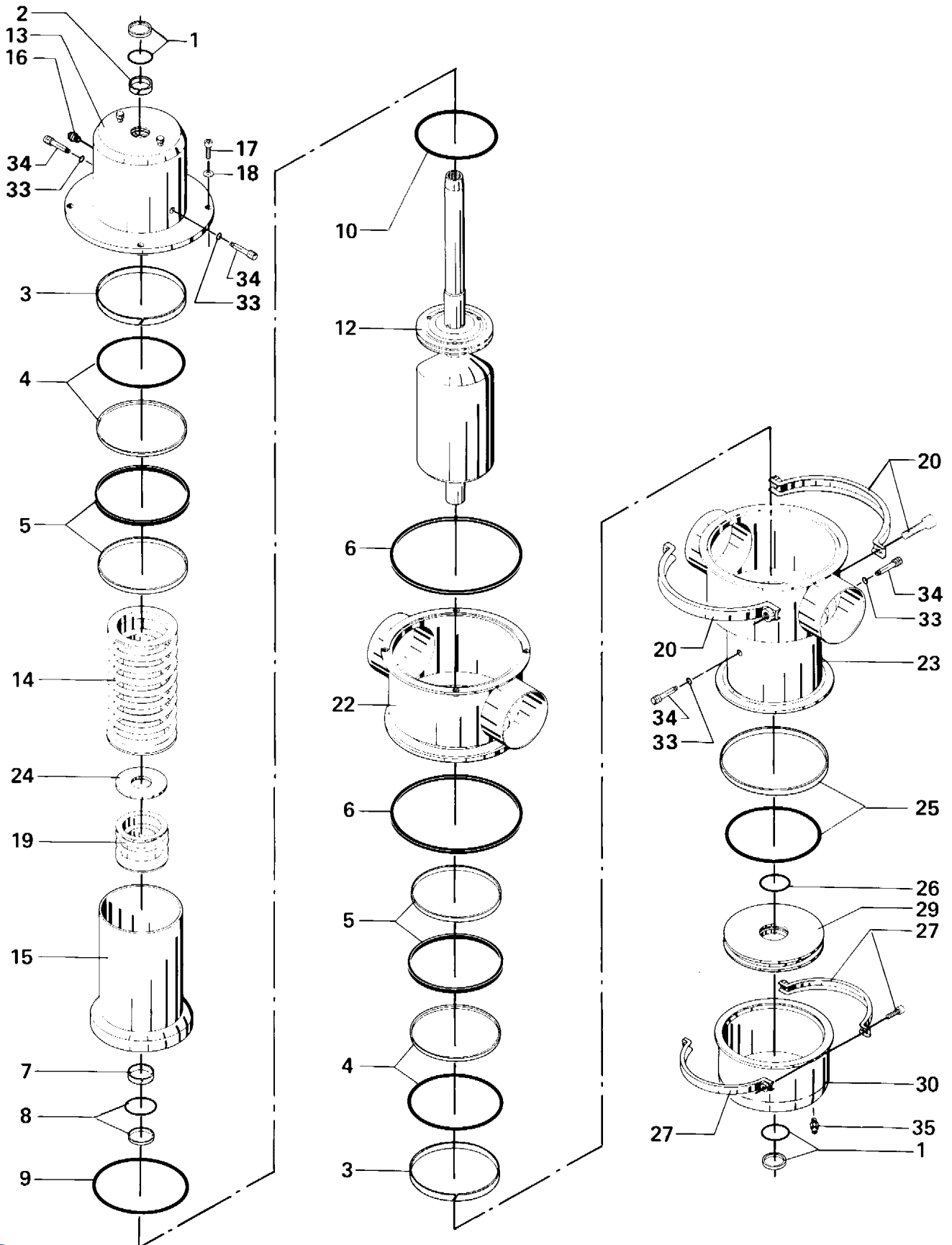


Sanitary Mixproof Valve  
Type SMP-EC



**Sanitary Mixproof Valve  
Type SMP-EC**



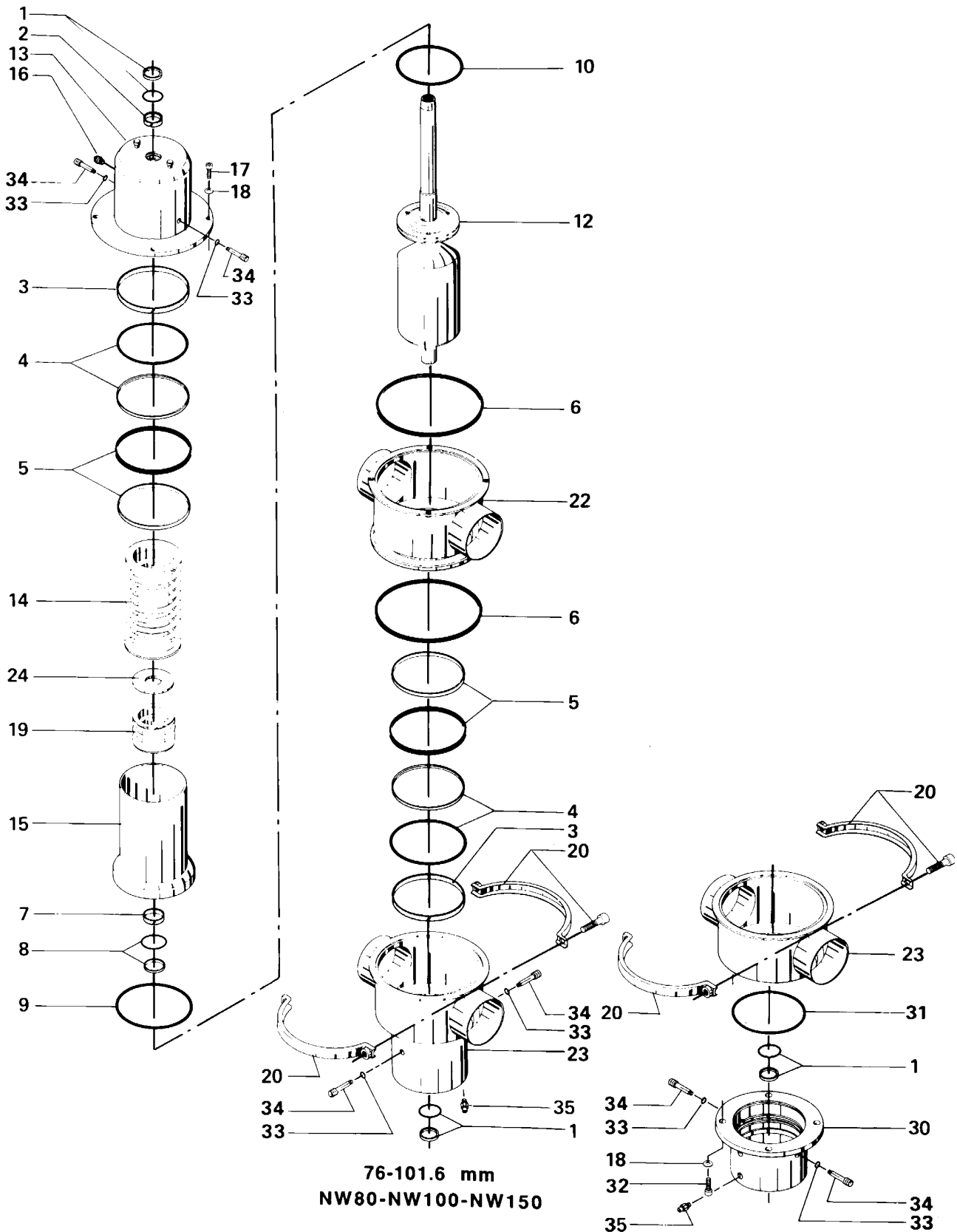
Pos.	Qty.	Denomination	51 mm	63.5 mm	NW 50	NW 65
1♦□	2	Glide ring seal, PTFE/NBR (standard)	31801-2477-2	31801-2477-2	31801-2477-2	31801-2477-2
2♦□	1	Guide ring, PTFE/Carbon	31357-0069-2	31357-0069-2	31357-0069-2	31357-0069-2
3♦□	2	Guide ring, PTFE/Carbon	31357-0069-4	31357-0069-4	31357-0069-4	31357-0069-4
4♦□	2	Glide ring seal, PTFE/EPDM (standard)	31357-1010-2	31357-1010-2	31357-1010-2	31357-1010-2
	2	Glide ring seal, PTFE/NBR	31357-1010-1	31357-1010-1	31357-1010-1	31357-1010-1
	2	Glide ring seal, PTFE/FPM	31357-1010-3	31357-1010-3	31357-1010-3	31357-1010-3
5▲♦●□	2	Glide ring seal, PTFE/EPDM (standard)	31357-1008-2	31357-1008-2	31357-1008-2	31357-1008-2
	2	Glide ring seal, PTFE/NBR	31357-1008-1	31357-1008-1	31357-1008-1	31357-1008-1
	2	Glide ring seal, PTFE/FPM	31357-1008-3	31357-1008-3	31357-1008-3	31357-1008-3
6♦□	2	Seal ring, EPDM (standard)	31357-0070-1	31357-0070-1	31357-0070-1	31357-0070-1
	2	Seal ring, NBR	31357-0070-2	31357-0070-2	31357-0070-2	31357-0070-2
	2	Seal ring, FPM	31357-0070-3	31357-0070-3	31357-0070-3	31357-0070-3
7♦□	1	Guide ring, PTFE/Carbon	31357-0069-3	31357-0069-3	31357-0069-3	31357-0069-3
8♦□	1	Glide ring seal, PTFE/EPDM (standard)	31357-1016-2	31357-1016-2	31357-1016-2	31357-1016-2
	1	Glide ring seal, PTFE/NBR	31801-2477-3	31801-2477-3	31801-2477-3	31801-2477-3
	1	Glide ring seal, PTFE/FPM	31801-2477-9	31801-2477-9	31801-2477-9	31801-2477-9
9▲♦●□	1	O-ring, EPDM (standard)	9611-99-2175	9611-99-2175	9611-99-2175	9611-99-2175
	1	O-ring, NBR	9611-99-2176	9611-99-2176	9611-99-2176	9611-99-2176
	1	O-ring, FPM	9611-99-2177	9611-99-2177	9611-99-2177	9611-99-2177
10●□	1	"Full face" seal, EPDM (standard)	31357-1408-1	31357-1408-1	31357-1408-1	31357-1408-1
	1	"Full face" seal, NBR	31357-1408-2	31357-1408-2	31357-1408-2	31357-1408-2
	1	"Full face" seal, FPM	31357-1408-3	31357-1408-3	31357-1408-3	31357-1408-3
12	1	Valve plug, lower	31357-0410-1	31357-0410-2	31357-0410-1	31357-0410-2
13	1	Valve top (incl. pos. 33 + 34)	31357-0422-1	31357-0422-1	31357-0422-1	31357-0422-1
14	1	Spring assembly, upper	31357-0455-1	31357-0455-1	31357-0455-1	31357-0455-1
15	1	Valve plug, upper	31357-0405-1	31357-0405-1	31357-0405-1	31357-0405-1
16	1	Plug	31353-0154-1	31353-0154-1	31353-0154-1	31353-0154-1
17	4	Screw	9611-99-0273	9611-99-0273	9611-99-0273	9611-99-0273
18	4	Washer	9611-99-1831	9611-99-1831	9611-99-1831	9611-99-1831
19	1	Spring assembly, lower	31357-0450-1	31357-0450-1	31357-0450-1	31357-0450-1
20	1	Clamps and screws	9611-31-105-6	9611-31-105-6	9611-31-105-6	9611-31-105-6
22	1	Valve body, upper, 1 port	31357-0438-1	31357-0439-1	31357-0430-1	31357-0431-1
	1	Valve body, upper, 2 ports	31357-0438-2	31357-0439-2	31357-0430-2	31357-0431-2
23	1	Valve body, lower, 1 port (incl. pos. 33 + 34)	31357-0448-1	31357-0449-1	31357-0440-1	31357-0441-1
	1	Valve body, lower, 2 ports (incl. pos. 33 + 34)	31357-0448-2	31357-0449-2	31357-0440-2	31357-0441-2
24	1	Washer	31357-0460-1	31357-0460-1	31357-0460-1	31357-0460-1
25♦	1	Glide ring seal, PTFE/NBR (standard)	31801-2490-4	31801-2490-4	31801-2490-4	31801-2490-4
26♦	1	O-ring, NBR	223406-49	223406-49	223406-49	223406-49
27	1	Clamps and screws	9611-31-105-5	9611-31-105-5	9611-31-105-5	9611-31-105-5
29	1	Piston	31357-0429-1	31357-0429-1	31357-0429-1	31357-0429-1
30	1	Cylinder	31357-0426-1	31357-0426-1	31357-0426-1	31357-0426-1
33	4	O-ring (Period 9603-)	9611-99-3119	9611-99-3119	9611-99-3119	9611-99-3119
	4	Seal ring (Period -9603)	9611-99-2566	9611-99-2566	9611-99-2566	9611-99-2566
34	4	Flushing tube (Period 9603-)	31357-1017-1	31357-1017-1	31357-1017-1	31357-1017-1
	4	Flushing pipe (Period -9603)	31357-1013-1	31357-1013-1	31357-1013-1	31357-1013-1
35	1	Air fitting	9611-99-1987	9611-99-1987	9611-99-1987	9611-99-1987
●		Service kit A EPDM "Full face"	9611-92-0401	9611-92-0401	9611-92-0401	9611-92-0401
		Service kit A NBR "Full face"	9611-92-0402	9611-92-0402	9611-92-0402	9611-92-0402
		Service kit A FPM "Full face"	9611-92-0403	9611-92-0403	9611-92-0403	9611-92-0403
□		Service kit B EPDM "Full face"	9611-92-0404	9611-92-0404	9611-92-0404	9611-92-0404
		Service kit B NBR "Full face"	9611-92-0405	9611-92-0405	9611-92-0405	9611-92-0405
		Service kit B FPM "Full face"	9611-92-0406	9611-92-0406	9611-92-0406	9611-92-0406

Parts marked with ● are included in Service kit A.  
Parts marked with □ are included in Service kit B.

Pos.	Qty.	Denomination	51 mm	63.5 mm	NW 50	NW 65
<b>Alternative</b>						
10▲♦	1	O-ring, EPDM	9611-99-2184	9611-99-2184	9611-99-2184	9611-99-2184
	1	O-ring, NBR	9611-99-2185	9611-99-2185	9611-99-2185	9611-99-2185
	1	O-ring, FPM	9611-99-2186	9611-99-2186	9611-99-2186	9611-99-2186
△		Service kit A EPDM	9611-92-0054	9611-92-0054	9611-92-0054	9611-92-0054
		Service kit A NBR	9611-92-0055	9611-92-0055	9611-92-0055	9611-92-0055
		Service kit A FPM	9611-92-0056	9611-92-0056	9611-92-0056	9611-92-0056
♦		Service kit B EPDM	9611-92-0063	9611-92-0063	9611-92-0063	9611-92-0063
		Service kit B NBR	9611-92-0064	9611-92-0064	9611-92-0064	9611-92-0064
		Service kit B FPM	9611-92-0065	9611-92-0065	9611-92-0065	9611-92-0065

Parts marked with △ are included in Service kit A.  
Parts marked with ♦ are included in Service kit B.

Sanitary Mixproof Valve  
Type SMP-EC



76-101.6 mm  
NW80-NW100-NW150

NW125

**Sanitary Mixproof Valve  
 Type SMP-EC**



Pos.	Qty.	Denomination	76 mm	101.6 mm	NW 80	NW 100	NW125	NW 150
1	2	Glide ring seal, PTFE/NBR (standard) ...	31801-2477-2	31801-2477-2	31801-2477-2	31801-2477-2	31801-2477-2	31801-2477-2
2	1	Guide ring, PTFE/Carbon .....	31357-0069-2	31357-0069-2	31357-0069-2	31357-0069-2	31357-0069-2	31357-0069-2
3	2	Guide ring, PTFE/Carbon .....	31357-0069-5	31357-0069-5	31357-0069-5	31357-0069-5	31357-0069-5	31357-0069-5
4	2	Glide ring seal,PTFE/EPDM (standard) ..	31357-1009-2	31357-1009-2	31357-1009-2	31357-1009-2	31357-1009-2	31357-1011-2
	2	Glide ring seal, PTFE/NBR .....	31357-1009-1	31357-1009-1	31357-1009-1	31357-1009-1	31357-1009-1	31357-1011-1
	2	Glide ring seal, PTFE/FPM .....	31357-1009-3	31357-1009-3	31357-1009-3	31357-1009-3	31357-1009-3	31357-1011-3
5	2	Glide ring seal, PTFE/EPDM (standard) ..	31357-1007-2	31357-1007-2	31357-1007-2	31357-1007-2	31357-1007-2	31357-1012-2
	2	Glide ring seal, PTFE/NBR .....	31357-1007-1	31357-1007-1	31357-1007-1	31357-1007-1	31357-1007-1	31357-1012-1
	2	Glide ring seal, PTFE/FPM .....	31357-1007-3	31357-1007-3	31357-1007-3	31357-1007-3	31357-1007-3	31357-1012-3
6	2	Seal ring, EPDM (standard) .....	31357-0170-1	31357-0170-1	31357-0170-1	31357-0170-1	31357-0170-1	31357-0270-1
	2	Seal ring, NBR .....	31357-0170-2	31357-0170-2	31357-0170-2	31357-0170-2	31357-0170-2	31357-0270-2
	2	Seal ring, FPM .....	31357-0170-3	31357-0170-3	31357-0170-3	31357-0170-3	31357-0170-3	31357-0270-3
7	1	Guide ring, PTFE/Carbon .....	31357-0069-3	31357-0069-3	31357-0069-3	31357-0069-3	31357-0069-3	31357-0069-3
8	1	Glide ring seal,PTFE/EPDM (standard) ..	31357-1016-2	31357-1016-2	31357-1016-2	31357-1016-2	31357-1016-2	31357-1016-2
	1	Glide ring seal, PTFE/NBR .....	31801-2477-3	31801-2477-3	31801-2477-3	31801-2477-3	31801-2477-3	31801-2477-3
	1	Glide ring seal, PTFE/FPM .....	31801-2477-9	31801-2477-9	31801-2477-9	31801-2477-9	31801-2477-9	31801-2477-9
9	1	O-ring, EPDM (standard) .....	9611-99-2178	9611-99-2178	9611-99-2178	9611-99-2178	9611-99-2178	9611-99-2181
	1	O-ring, NBR .....	9611-99-2179	9611-99-2179	9611-99-2179	9611-99-2179	9611-99-2179	9611-99-2182
	1	O-ring, FPM .....	9611-99-2180	9611-99-2180	9611-99-2180	9611-99-2180	9611-99-2180	9611-99-2183
10	1	"Full face" seal, EPDM (standard) .....	31357-1508-1	31357-1508-1	31357-1508-1	31357-1508-1	31357-1508-1	31357-1608-1
	1	"Full face" seal, NBR .....	31357-1508-2	31357-1508-2	31357-1508-2	31357-1508-2	31357-1508-2	31357-1608-2
	1	"Full face" seal, FPM .....	31357-1508-3	31357-1508-3	31357-1508-3	31357-1508-3	31357-1508-3	31357-1608-3
12	1	Valve plug, lower .....	31357-0520-1	31357-0520-2	31357-0520-1	31357-0520-2	31357-0520-3	31357-0610-2
13	1	Valve top (incl. pos. 33 + 34) .....	31357-0522-1	31357-0522-2	31357-0522-1	31357-0522-2	31357-0522-6	31357-0622-2
14	1	Spring assembly, upper .....	31357-0555-1	31357-0555-1	31357-0555-1	31357-0555-1	31357-0555-1	31357-0655-1
15	1	Valve plug, upper .....	31357-0505-1	31357-0505-1	31357-0505-1	31357-0505-1	31357-0505-2	31357-0605-1
16	1	Plug .....	31353-0154-1	31353-0154-1	31353-0154-1	31353-0154-1	31353-0154-1	31353-0154-1
17	4	Screw .....	9611-99-0273	9611-99-0273	9611-99-0273	9611-99-0273	9611-99-0273	
	8	Washer, NW 150 .....						9611-99-0273
18	4	Washer .....	9611-99-1831	9611-99-1831	9611-99-1831	9611-99-1831	9611-99-1831	
	8	Washer, NW 150 .....						9611-99-1831
19	1	Spring assembly, lower .....	31357-0550-1	31357-0550-1	31357-0550-1	31357-0550-1	31357-0650-1	31357-0650-1
20	1	Clamps and screws .....	9611-31-105-8	9611-31-105-8	9611-31-105-8	9611-31-105-8	9611-31-105-8	9611-31-105-9
22	1	Valve body, upper, 1 port .....	31357-0568-1	31357-0569-1	31357-0566-1	31357-0567-1	31357-1208-2	31357-0631-1
	1	Valve body, upper, 2 ports .....	31357-0568-2	31357-0569-2	31357-0566-2	31357-0567-2	31357-1208-1	31357-0631-2
23	1	Valve body, lower, 1 port .....	31357-0572-1	31357-0573-1	31357-0570-1	31357-0571-1	31357-1207-2	31357-0641-1
	1	(incl. pos. 33 + 34) .....						
	1	Valve body, lower, 2 ports .....	31357-0572-2	31357-0573-2	31357-0570-2	31357-0571-2	31357-1207-1	31357-0641-2
	1	(incl. pos. 33 + 34) .....						
24	1	Washer .....	31357-0561-1	31357-0561-1	31357-0561-1	31357-0561-1	31357-1209-1	31357-0661-1
30	1	Cylinder (incl. pos. 33 + 34) .....					31357-1212-2	
31	1	Seal ring, EPDM .....					31357-0070-1	
32	4	Screw .....					9611-99-2633	
33	4	O-ring, EPDM (Period 9603-) .....	9611-99-3119	9611-99-3119	9611-99-3119	9611-99-3119	9611-99-3119	9611-99-3119
	4	Seal ring (Period -9603) .....	9611-99-2566	9611-99-2566	9611-99-2566	9611-99-2566	9611-99-2566	9611-99-2566
34	4	Flushing tube (Period 9603-) .....	31357-1017-1	31357-1017-1	31357-1017-1	31357-1017-1	31357-1017-1	31357-1017-1
	4	Flushing pipe (Period -9603) .....	31357-1013-1	31357-1013-1	31357-1013-1	31357-1013-1	31357-1013-1	31357-1013-1
35	1	Air fitting .....	9611-99-1987	9611-99-1987	9611-99-1987	9611-99-1987	9611-99-1987	9611-99-1987
●		Service kit A EPDM "Full face" .....	9611-92-0407	9611-92-0407	9611-92-0407	9611-92-0407	9611-92-0407	9611-92-0410
		Service kit A NBR "Full face" .....	9611-92-0408	9611-92-0408	9611-92-0408	9611-92-0408	9611-92-0408	9611-92-0411
		Service kit A FPM "Full face" .....	9611-92-0409	9611-92-0409	9611-92-0409	9611-92-0409	9611-92-0409	9611-92-0412
□		Service kit B EPDM "Full face" .....	9611-92-0413	9611-92-0413	9611-92-0413	9611-92-0413	9611-92-0413	9611-92-0416
		Service kit B NBR "Full face" .....	9611-92-0414	9611-92-0414	9611-92-0414	9611-92-0414	9611-92-0414	9611-92-0417
		Service kit B FPM "Full face" .....	9611-92-0415	9611-92-0415	9611-92-0415	9611-92-0415	9611-92-0415	9611-92-0418

76 & 101.6 mm - NW 80, 100, 125 & 150

Pos.	Qty.	Denomination	76 mm	101.6 mm	NW 80	NW 100	NW125	NW 150
<b>Alternative</b>								
10	1	O-ring, EPDM .....	9611-99-2187	9611-99-2187	9611-99-2187	9611-99-2187	9611-99-2187	9611-99-2190
	1	O-ring, NBR .....	9611-99-2188	9611-99-2188	9611-99-2188	9611-99-2188	9611-99-2188	9611-99-2191
	1	O-ring, FPM .....	9611-99-2189	9611-99-2189	9611-99-2189	9611-99-2189	9611-99-2189	9611-99-2192
Δ		Service kit A EPDM .....	9611-92-0057	9611-92-0057	9611-92-0057	9611-92-0057	9611-92-0057	9611-92-0060
		Service kit A NBR .....	9611-92-0058	9611-92-0058	9611-92-0058	9611-92-0058	9611-92-0058	9611-92-0061
		Service kit A FPM .....	9611-92-0059	9611-92-0059	9611-92-0059	9611-92-0059	9611-92-0059	9611-92-0062
◆		Service kit B EPDM .....	9611-92-0066	9611-92-0066	9611-92-0066	9611-92-0066	9611-92-0066	9611-92-0069
		Service kit B NBR .....	9611-92-0067	9611-92-0067	9611-92-0067	9611-92-0067	9611-92-0067	9611-92-0070
		Service kit B FPM .....	9611-92-0068	9611-92-0068	9611-92-0068	9611-92-0068	9611-92-0068	9611-92-0071

Parts marked with Δ are included in Service kit A.  
 Parts marked with ◆ are included in Service kit B.