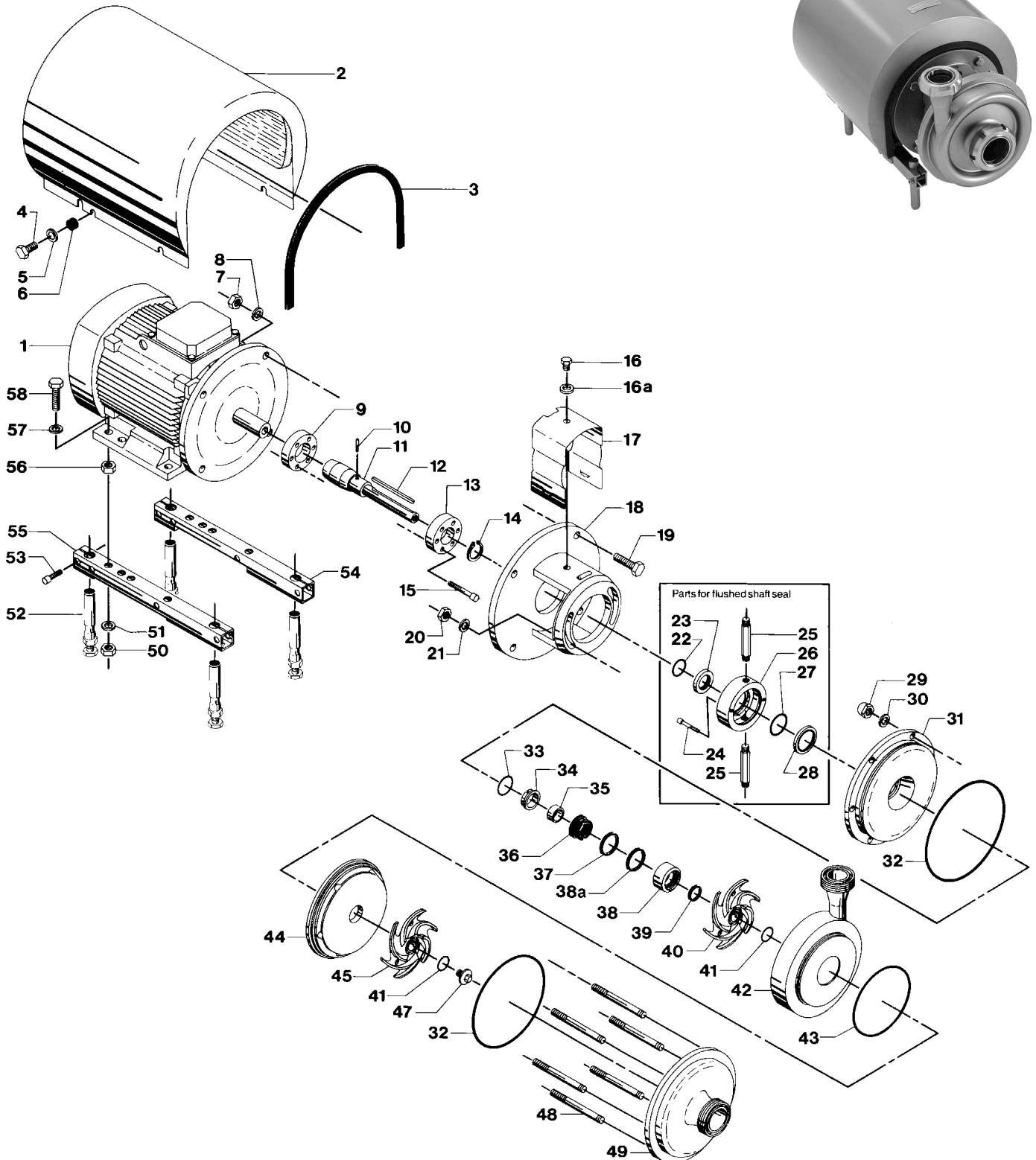


Multi-Stage Centrifugal Pump, Type LKH-112
Single and Flushed Shaft Seal



Multi-Stage Centrifugal Pump, Type LKH-112 Single and Flushed Shaft Seal



Pos.	Qty.	Denomination	2.2 kW	3 kW	4 kW	5.5-7.5 kW	11-18.5 kW
4	4	Screw	9611-99-1824	9611-99-1824	9611-99-1824	9611-99-1824	9611-99-1176
5	4	Washer	9611-99-1831	9611-99-1831	9611-99-1831	9611-99-1831	9611-99-1831
6	4	Spacing sleeve				9611-99-2737	31438-0390-2
7	4	Nut for adaptor	9611-99-0353	9611-99-0587	9611-99-0587	9611-99-0587	9611-99-2160
8	4	Washer for adaptor	9611-99-1887	9611-99-0676	9611-99-0676	9611-99-0676	9611-99-1886
9	1	Compression ring with thread	9612-1336-01	9612-1336-02	9612-1336-02	9612-1336-05	9612-1336-03
10	1	Connex pin for flushed shaft seal	9611-99-0622	9611-99-0622	9611-99-0622	9611-99-0622	9611-99-0622
11	1	Shaft for single shaft seal		9612-3619-01	9612-3619-01	9612-3620-01	9612-3621-01
	1	Shaft with retaining ring (pos.14)	9612-3896-01				
		for single shaft seal					
	1	Shaft with pin (pos.10)		9612-3619-03	9612-3619-03	9612-3620-04	9612-3621-04
		for flushed shaft seal					
	1	Shaft with retaining ring (14) and	9612-3896-02				
		pin (10) for flushed shaft seal					
12	1	Key	9611-99-2756	9611-99-2756	9611-99-2756	9611-99-2756	9611-99-2756
13	1	Compression ring without thread	9612-1337-01	9612-1337-02	9612-1337-02	9612-1337-05	9612-1337-03
14	1	Retaining ring	9611-99-2307				
15	6	Screw	9611-99-3196	9611-99-3196	9611-99-3196	9611-99-3197	9611-99-3197
15a	6	Washer	9611-99-3199	9611-99-3199	9611-99-3199	9611-99-3199	9611-99-3199
16	1	Screw for adaptor guard	9611-99-2258	9611-99-2258	9611-99-2258	9611-99-2258	9611-99-2258
16a	1	Washer	9611-99-0752	9611-99-0752	9611-99-0752	9611-99-0752	9611-99-0752
17	1	Adaptor guard	9612-1311-05	9612-1311-06	9612-1311-06	9612-1311-07	9612-1311-08
18	1	Adaptor	9612-3423-01	9612-3424-01	9612-3424-01	9612-3425-01	9612-3426-01
19	4	Screw for adaptor	9611-99-2161	9611-99-1834	9611-99-1834	9611-99-2162	9611-99-2163
20	2	Nut	9611-99-0353	9611-99-0353	9611-99-0353	9611-99-0353	9611-99-0353
21	2	Washer	9611-99-2559	9611-99-2559	9611-99-2559	9611-99-2559	9611-99-2559
29	6	Cap nut	9611-99-2593	9611-99-2593	9611-99-2593	9611-99-2593	9611-99-2593
30	6	Washer	9611-99-1887	9611-99-1887	9611-99-1887	9611-99-1887	9611-99-1887
31	1	Back plate (LKH-112 0-10 bar)	9612-3892-08	9612-3892-08	9612-3892-08	9612-3892-08	9612-3892-08
	1	Back plate (LKH-112/P 10-40 bar)	9612-3892-14	9612-3892-14	9612-3892-14	9612-3892-14	9612-3892-14
32Δ	2	O-ring, EPDM (standard)	9611-99-2744	9611-99-2744	9611-99-2744	9611-99-2744	9611-99-2744
	2	O-ring, NBR	9611-99-2745	9611-99-2745	9611-99-2745	9611-99-2745	9611-99-2745
	2	O-ring, FPM	9611-99-2746	9611-99-2746	9611-99-2746	9611-99-2746	9611-99-2746
35	1	Spacing ring	9612-3625-01	9612-3625-01	9612-3625-01	9612-3625-01	9612-3625-01
38	1	Rotating seal housing	9612-3624-01	9612-3624-01	9612-3624-01	9612-3624-01	9612-3624-01
40	1	Impeller	9612-3604-01	9612-3604-01	9612-3604-01	9612-3604-01	9612-3604-01
41Δ	2	O-ring, EPDM (standard)	9611-99-2750	9611-99-2750	9611-99-2750	9611-99-2750	9611-99-2750
	2	O-ring, NBR	9611-99-2751	9611-99-2751	9611-99-2751	9611-99-2751	9611-99-2751
	2	O-ring, FPM	9611-99-2752	9611-99-2752	9611-99-2752	9611-99-2752	9611-99-2752
42	1	Pump casing, IDF	9612-3889-01	9612-3889-01	9612-3889-01	9612-3889-01	9612-3889-01
	1	Pump casing, SMS	9612-3889-02	9612-3889-02	9612-3889-02	9612-3889-02	9612-3889-02
	1	Pump casing, DIN	9612-3889-03	9612-3889-03	9612-3889-03	9612-3889-03	9612-3889-03
	1	Pump casing, ISO	9612-3889-04	9612-3889-04	9612-3889-04	9612-3889-04	9612-3889-04
	1	Pump casing, BS	9612-3889-05	9612-3889-05	9612-3889-05	9612-3889-05	9612-3889-05
	1	Pump casing, flange DN40	9612-3894-01	9612-3894-01	9612-3894-01	9612-3894-01	9612-3894-01
43Δ	1	O-ring, EPDM (standard)	9611-99-2747	9611-99-2747	9611-99-2747	9611-99-2747	9611-99-2747
	1	O-ring, NBR	9611-99-2748	9611-99-2748	9611-99-2748	9611-99-2748	9611-99-2748
	1	O-ring, FPM	9611-99-2749	9611-99-2749	9611-99-2749	9611-99-2749	9611-99-2749
44	1	Guide vanes	9612-3613-01	9612-3613-01	9612-3613-01	9612-3613-01	9612-3613-01
45	1	Impeller	9612-3605-01	9612-3605-01	9612-3605-01	9612-3605-01	9612-3605-01
47	1	Impeller screw	9612-3627-01	9612-3627-01	9612-3627-01	9612-3627-01	9612-3627-01
48	6	Bolt	9612-3635-01	9612-3635-01	9612-3635-01	9612-3635-01	9612-3635-01
49	1	Pump cover, IDF	9612-3893-01	9612-3893-01	9612-3893-01	9612-3893-01	9612-3893-01
	1	Pump cover, SMS	9612-3893-02	9612-3893-02	9612-3893-02	9612-3893-02	9612-3893-02
	1	Pump cover, DIN	9612-3893-03	9612-3893-03	9612-3893-03	9612-3893-03	9612-3893-03
	1	Pump cover, ISO	9612-3893-04	9612-3893-04	9612-3893-04	9612-3893-04	9612-3893-04
	1	Pump cover, BS	9612-3893-05	9612-3893-05	9612-3893-05	9612-3893-05	9612-3893-05
	1	Pump cover, flange DN50	9612-3895-01	9612-3895-01	9612-3895-01	9612-3895-01	9612-3895-01
Legs							
50	4	Nut	9611-99-0360	9611-99-0353	9611-99-0353	9611-99-0353	9611-99-0587
51	4	Spring washer	9611-99-1888	9611-99-1887	9611-99-1887	9611-99-1887	9611-99-0676
52	4	Leg	9612-3967-01	9612-3967-01	9612-3967-01	9612-3967-01	9612-3967-01
53	4	Screw (Period 9711-)	9611-99-0273	9611-99-0273	9611-99-0273	9611-99-0273	9611-99-0273
	4	Screw (Period -9711)	9611-99-1907	9611-99-1907	9611-99-1907	9611-99-1907	9611-99-1907
54	1	Support bar, left	9612-1323-01	9612-1323-05	9612-1323-05	9612-1323-06	9612-1323-03
55	1	Support bar, right	9612-1322-01	9612-1322-05	9612-1322-05	9612-1322-06	9612-1322-03
56	4	Nut		9611-99-0587			
57	4	Washer	9611-99-0786	9611-99-0786	9611-99-0786	9611-99-0786	9611-99-0706
58	4	Screw	9611-99-1176	9611-99-1374	9611-99-1911	9611-99-1911	9611-99-1834

Multi-Stage Centrifugal Pump, Type LKH-112 Single and Flushed Shaft Seal



Pos.	Qty.	Denomination	2.2-18.5 kW	Pos.	Qty.	Denomination	2.2-18.5 kW
Parts for flushed shaft seal				Alternatives			
22	1	O-ring, EPDM	9611-99-2754	33	1	Shaft seal complete EPDM	9612-3622-04
23	1	Sleeve	9612-3629-01	33	1	O-ring, EPDM	9611-99-2727
24	2	Screw	9611-99-0203	34	1	Stationary seal ring, Sic.	9612-3633-01
25	2	Tube	9612-3589-01	36	1	Rotating seal ring, Sic.	9612-3634-02
26	1	Seal housing for flushed seal	9612-3626-01	37	1	Quad ring, EPDM	9611-99-2730
27	1	O-ring, EPDM	9611-99-2753	38a	1	Support ring, PTFE	9612-4571-01
28	1	Lip seal	9611-99-2860	39	1	Quad ring, EPDM	9611-99-2733
 				Shaft seal complete NBR			
Δ	1	Shaft seal complete EPDM (standard) ..	9612-3622-01	33	1	O-ring, NBR	9611-99-2728
33	1	O-ring, EPDM	9611-99-2727	34	1	Stationary seal ring, Sic.	9612-3633-01
34	1	Stationary seal ring, Sic.	9612-3633-01	36	1	Rotating seal ring, Sic.	9612-3634-02
36	1	Rotating seal ring, Carbon	9612-3634-01	37	1	Quad ring, NBR	9611-99-2731
37	1	Quad ring, EPDM	9611-99-2730	38a	1	Support ring, PTFE	9612-4571-01
38a	1	Support ring, PTFE	9612-4571-01	39	1	Quad ring, NBR	9611-99-2734
39	1	Quad ring, EPDM	9611-99-2733	Shaft seal complete FPM			
 				33	1	O-ring, FPM	9611-99-2729
Δ	1	Shaft seal complete NBR	9612-3622-02	34	1	Stationary seal ring, Sic.	9612-3633-01
33	1	O-ring, NBR	9611-99-2728	36	1	Rotating seal ring, Sic.	9612-3634-02
34	1	Stationary seal ring, Sic.	9612-3633-01	37	1	Quad ring, FPM	9611-99-2732
36	1	Rotating seal ring, Carbon	9612-3634-01	38a	1	Support ring, PTFE	9612-4571-01
37	1	Quad ring, NBR	9611-99-2731	39	1	Quad ring, FPM	9611-99-2735
38a	1	Support ring, PTFE	9612-4571-01	 			
39	1	Quad ring, NBR	9611-99-2734	Service kit for single shaft seal			
 				Δ Service kit, EPDM. 9611-92-2096			
 				Δ Service kit, NBR. 9611-92-2097			
 				Δ Service kit, FPM. 9611-92-2098			
 				Service kit for flushed shaft seal			
 				○ Service kit, EPDM. 9611-92-2099			
 				○ Service kit, NBR. 9611-92-2100			
 				○ Service kit, FPM. 9611-92-2101			
Parts marked with Δ/O are included in the service kits.							
Conversion kit single to flushed shaft seal							
9611-92-2138 = Pos. 10+22+23+24+25+26+27+28							
Recommended Spare Parts: Service kits.							

Pos.	Qty.	Denomination	2.2 kW	3 kW	4 kW	5.5kW	7.5 kW	11kW	15 kW	18.5 kW
1	1	Motor 220/240 VD	31801-1983-1	31801-1984-1	9612-4028-07	9612-4028-15	9612-4028-30	31801-0122-1	31801-1194-1	9712-3454-13
	1	Motor 380/420 VD	31801-1983-2	31801-1984-2	9612-4028-09	9612-4028-17	9612-4028-32	31801-0122-3	31801-1194-3	9612-3454-14
	1	*Special motor 220/240 VD ...	9612-4189-03		9612-4189-07	9612-4189-09	9612-4189-11	9612-4189-13	9612-4189-15	9612-4189-17
	1	*Special motor 380/420 VD ...	9612-4189-04		9612-4189-08	9612-4189-10	9612-4189-12	9612-4189-14	9612-4189-16	9612-4189-18
2	1	Shroud complete	9612-1390-01	9612-1390-02	9612-1390-03	9612-1390-08	9612-1390-08	9612-1390-05	9612-1390-05	9612-1390-05
3	1	Edge list (Included in pos. 2) ..	9612-1338-01	9612-1338-02	9612-1338-03	9612-1338-04	9612-1338-04	9612-1338-05	9612-1338-05	9612-1338-05

* For system pressure 10-40 bar.