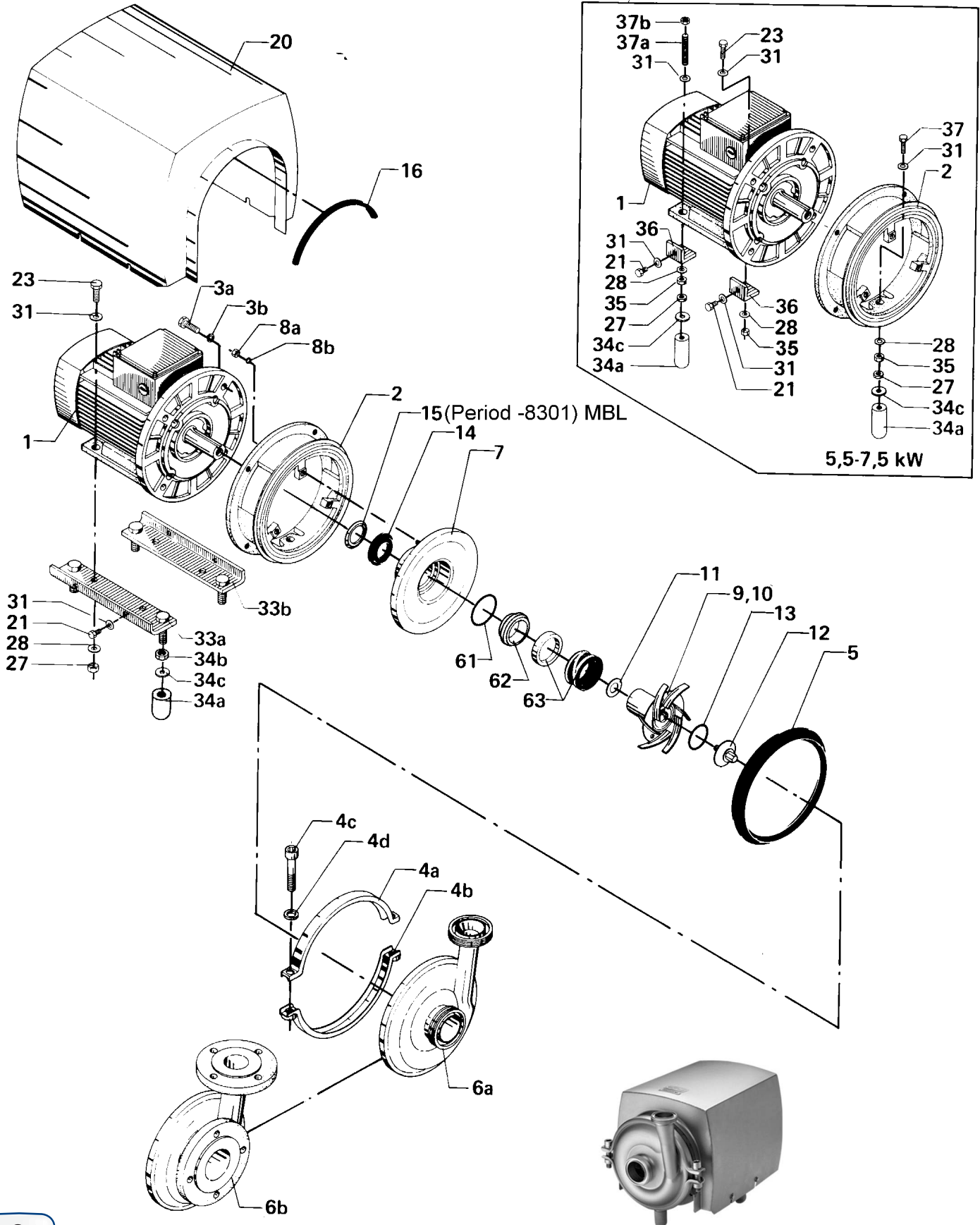


Centrifugal Pump – Single Shaft Seal  
Type ALC-1



FREEFAX:

0800 801404

Centrifugal Pump – Single Shaft Seal  
Type ALC-1



Pos.	Qty.	Denomination	Motors: 3000 r/min, 3-phase AC, 50 Hz					
			1.5 kW	2.2 kW	3 kW	4 kW	5.5 kW	7.5 kW
1	1	M2AA motor, 220-240/380-420 V ... (Period 9310-)	31801-1982-1	31801-1983-1	31801-1984-1	9612-4028-07	9612-4028-15	9612-4028-30
1	1	M2AA motor, 380-420/660 V ..... (Period 9310-)	31801-1982-2	31801-1983-2	31801-1984-2	9612-4028-09	9612-4028-17	9612-4028-32
1	1	MBT motor, 220-240/380-420 V ..... (*Period -9310 not available anymore)				*31801-1985-1	*31801-1865-1	*31801-1866-1
1	1	MBT motor, 380-420/660 V ..... (*Period -9310 not available anymore)				*31801-1985-3	*31801-1865-3	*31801-1866-3
2	1	Adaptor .....	31460-0216-1	31460-0216-1	31460-0127-1	31460-0127-1	31460-0126-1	31460-0126-1
3a	4	Screw .....	9611-99-1823	9611-99-1823	9611-99-1217	9611-99-1217	9611-99-1825	9611-99-1825
3b	4	Spring washer .....	9611-99-1887	9611-99-1887	9611-99-0676	9611-99-0676	9611-99-0676	9611-99-0676
4a	1	Clamp, upper half .....	31460-0214-1	31460-0214-1	31460-0214-1	31460-0214-1	31460-0214-1	31460-0214-1
4b	1	Clamp, lower half .....	31460-0213-1	31460-0213-1	31460-0213-1	31460-0213-1	31460-0213-1	31460-0213-1
4c	2	Screw .....	9611-99-1889	9611-99-1889	9611-99-1889	9611-99-1889	9611-99-1889	9611-99-1889
4d	2	Washer .....	31460-0101-1	31460-0101-1	31460-0101-1	31460-0101-1	31460-0101-1	31460-0101-1
5	Δ	Joint ring, EPDM (Standard) .....	31460-0124-1	31460-0124-1	31460-0124-1	31460-0124-1	31460-0124-1	31460-0124-1
5	Δ	Joint ring, FPM .....	31460-0124-3	31460-0124-3	31460-0124-3	31460-0124-3	31460-0124-3	31460-0124-3
6a	1	Pump casing with sanitary fittings 65 mm inlet/51 mm outlet						
		ISO male .....	31460-0400-1	31460-0400-1	31460-0400-1	31460-0400-1	31460-0400-1	31460-0400-1
		SMS .....	31460-0400-2	31460-0400-2	31460-0400-2	31460-0400-2	31460-0400-2	31460-0400-2
		DIN .....	31460-0400-3	31460-0400-3	31460-0400-3	31460-0400-3	31460-0400-3	31460-0400-3
		ISO clamp .....	31460-0400-4	31460-0400-4	31460-0400-4	31460-0400-4	31460-0400-4	31460-0400-4
		BS .....	31460-0400-5	31460-0400-5	31460-0400-5	31460-0400-5	31460-0400-5	31460-0400-5
6b	1	Pump casing with flanges DN 65 inlet/DN 50 outlet	31460-0323-2	31460-0323-2	31460-0323-2	31460-0323-2	31460-0323-2	31460-0323-2
7	1	Back plate .....	31460-0356-1	31460-0356-1	31460-0356-1	31460-0356-1	31460-0357-1	31460-0357-1
8a	3	Nut .....	221803-28	221803-28	221803-28	221803-28	221803-28	221803-28
8b	3	Spring washer .....	223107-25	223107-25	223107-25	223107-25	223107-25	223107-25
9*	1	Impeller, diameter 162 mm	31460-0383-1	31460-0383-1	31460-0354-1	31460-0354-1	31460-0355-1	31460-0355-1
9	1	Impeller, diameter 120 mm	31460-0383-1	31460-0383-1	31460-0353-1	31460-0353-1	31460-0355-1	31460-0355-1
10	1	Key (Inside the impeller) (Is included in pos 9)	31460-0139-1	31460-0139-1	31460-0139-1	31460-0139-1	31460-0063-1	31460-0063-1
11	1-2	Shim 0.1 mm .....	31460-0012-1	31460-0012-1	31460-0012-2	31460-0012-2	31460-0012-3	31460-0012-3
11	2-3	Shim 0.5 mm .....	31460-0011-1	31460-0011-1	31460-0011-2	31460-0011-2	31460-0011-3	31460-0011-3
12	1	Impeller screw .....	31460-0385-1	31460-0385-1	31460-0140-3	31460-0140-3	31460-0140-1	31460-0140-1
1	1	Impeller screw for MBT 132 motor (Period -9310)	31460-0385-1	31460-0385-1	31460-0140-3	31460-0140-3	31460-0140-3	31460-0140-3
13Δ	1	O-ring, EPDM (Standard) .....	990014-14	990014-14	990014-14	990014-14	990014-14	990014-14
1	1	O-ring, FPM .....	260104-08	260104-08	260104-08	260104-08	260104-08	260104-08
14	1	Thrower .....	31460-0143-1	31460-0143-1	31460-0375-4	31460-0375-4	31460-0375-3	31460-0375-3
15	1	Seal ring (Period to 8301) .....	31801-2476-1	31801-2476-1	31801-2476-2	31801-2476-2	31801-2476-3	31801-2476-3
16	1	Edge list (Included in pos. 20) .....						

Pos.	Qty.	Denomination	1.5-4 kW		5.5-7.5 kW	
			1.5-2.2 kW	3 kW	4 kW	5-7.5 kW
<b>Standard</b>						
Δ	1	Shaft seal, complete, EPDM silicon carbide/carbon (Standard) .....	31801-2469-2		31801-2469-2	31801-2469-2
61	1	O-ring, EPDM .....	31801-2486-1		31801-2486-1	31801-2487-1
62	1	Stationary seal ring, carbon .....	31460-0377-1		31460-0377-1	31460-0379-1
63	1	Rotating seal ring, EPDM/silicon carbide .....	31460-0271-6		31460-0271-6	31460-0272-6
<b>Alternatives</b>						
Δ	1	Shaft seal, complete, FPM silicon carbide/carbonate .....	31801-2469-1		31801-2469-1	31801-2469-1
61	1	O-ring, FPM .....	31801-2486-1		31801-2487-1	31801-2487-1
62	1	Stationary seal ring, tungsten carbide .....	31460-0377-3		31460-0377-3	31460-0379-3
63	1	Rotating seal ring, FPM/tungsten carbide .....	31460-0271-3		31460-0271-3	31460-0272-3
1	1	Shaft seal, complete, EPDM tungsten carbide .....	31801-2469-4		31801-2469-4	31801-2469-4
61	1	O-ring, EPDM .....	31801-2486-2		31801-2487-2	31801-2487-2
62	1	Stationary seal ring, tungsten carbide .....	31460-0377-3		31460-0377-3	31460-0379-3
63	1	Rotating seal ring, EPDM/tungsten carbide .....	31460-0271-4		31460-0271-4	31460-0272-4
1	1	Shaft seal, complete, FPM silicon carbide/silicon carbide .....	31801-2469-5		31801-2469-5	31801-2469-5
61	1	O-ring, FPM .....	31801-2486-1		31801-2487-1	31801-2487-1
62	1	Stationary seal ring, silicon carbide .....	31460-0377-2		31460-0377-2	31460-0379-2
63	1	Rotating seal ring, FPM/silicon carbide .....	31460-0271-5		31460-0271-5	31460-0272-5
1	1	Shaft seal, complete, EPDM silicon carbide/silicon carbide .....	31801-2469-6		31801-2469-6	31801-2469-6
61	1	O-ring, EPDM .....	31801-2486-2		31801-2487-2	31801-2487-2
62	1	Stationary seal ring, silicon carbide .....	31460-0377-2		31460-0377-2	31460-0379-2
63	1	Rotating seal ring, EPDM/silicon carbide .....	31460-0271-6		31460-0271-6	31460-0272-6

Pos.	Qty.	Denomination	(Period 8609-)	(Period 8609-)	(Period 8701-)	(Period 8606-)
			1.5-2.2 kW	3 kW	4 kW	5-7.5 kW
<b>Shroud</b>						
20	1	Shroud .....	31460-0186-1	31460-0187-1	31460-0187-1	31460-0188-1
21	4	Screw .....	9611-99-1824	9611-99-1824	9611-99-1824	9611-99-1824
31	4	Washer .....	9611-99-1831	9611-99-1831	9611-99-1831	9611-99-1831
<b>Legs</b>						
23*	4(2)	Screw .....	9611-99-1176	9611-99-1825	9611-99-1825	9611-99-1834
27*	4(2)	Nut .....	9611-99-0360	9611-99-0587	9611-99-0587	9611-99-0587
28*	4(5)	Spring washer .....	9611-99-1888	9611-99-0676	9611-99-0676	9611-99-0676
31*	4(5)	Washer .....	9611-99-1831	9611-99-0706	9611-99-0706	9611-99-0706
33a	1	Leg bracket, left .....	31460-0258-2	31460-0258-4	31460-0258-6	31460-0258-6
33b	1	Leg bracket, right .....	31460-0258-1	31460-0258-3	31460-0258-5	31460-0258-5
34a*	4(3)	Leg .....	31460-1248-1	31460-1248-2	31460-1248-3	31460-1248-4
34b*	4(3)	Nut .....	9611-99-1829	9611-99-1829	9611-99-1829	9611-99-1829
34c*	4(3)	Washer .....	31460-0104-1	31460-0104-1	31460-0104-1	31460-0104-1
35	3	Nut .....				9611-99-0587
36	4	Bracket .....				31460-0019-1
37	1	Screw ( Period 9310- ) .....				9611-99-1833
	3	Screw ( Period -9310- ) .....				9611-99-1833
37a	2	Stud bolt ( Period 9310- ) .....				9611-85-072-1
37b	2	Nut ( Period 9310- ) .....				9611-99-0587

\*Number in bracket for 5.5 - 7.5 kW.

\* If reduced impeller diameter, please state diameter.

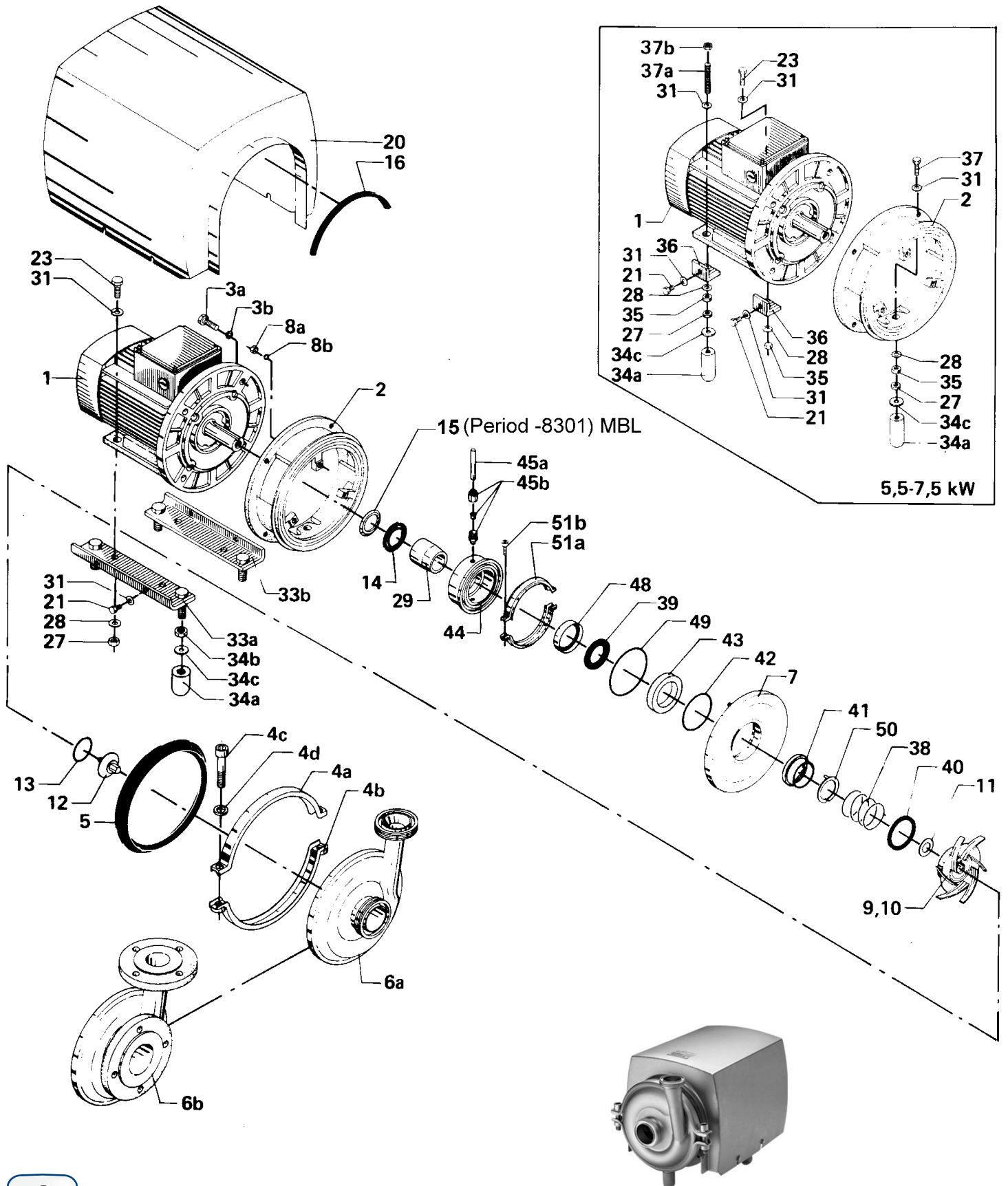
**Accessories (Delivered with the pump)**

1	Key for hexagonal socket .....	66884
1	Impeller tool .....	31460-0050-1

Δ	Service kit, EPDM Sic/carbon .....	9611-92-2043	9611-92-2043	9611-92-2043	9611-92-2043	9611-92-2044	9611-92-2044
Δ	Service kit, FPM Sic/carbon .....	9611-92-2045	9611-92-2045	9611-92-2045	9611-92-2045	9611-92-2046	9611-92-2046

Parts marked with Δ are included in the service kit.

Centrifugal Pump – Flushed Shaft Seal  
Type ALC-1





**Centrifugal Pump  
Type ALC-1**



Older legs

Pos.	Qty.	Denomination	(Period - 8609) 1.5-2.2 kW	(Period - 8609) 3 kW	(Period - 8701) 4 kW	(Period - 8606) 5-7.5 kW
Legs						
1	4	Screw .....	9611-99-1825	9611-99-1825	9611-99-1825	9611-99-1834
2	4	Washer .....	9611-99-1831	9611-99-0706	9611-99-0706	9611-99-0706
3	2	Leg bracket .....				31460-0232-1
4	4	Spring washer .....	9611-99-1888	9611-99-0676	9611-99-0676	9611-99-0676
5	4	Nut .....	9611-99-0360	9611-99-0587	9611-99-0587	9611-99-0587
6	4	Leg .....	31460-0241-1	31460-0241-2	31460-0241-3	31460-0241-4
7	4	Nut .....	990092-01	990092-01	990092-01	990092-01
8	1	Leg bracket, left .....	31460-0231-1	31460-0231-3	31460-0231-5	
9	1	Leg bracket, right .....	31460-0231-2	31460-0231-4	31460-0231-6	
10	4	Washer .....	31460-0104-1	31460-0104-1	31460-0104-1	31460-0104-1

