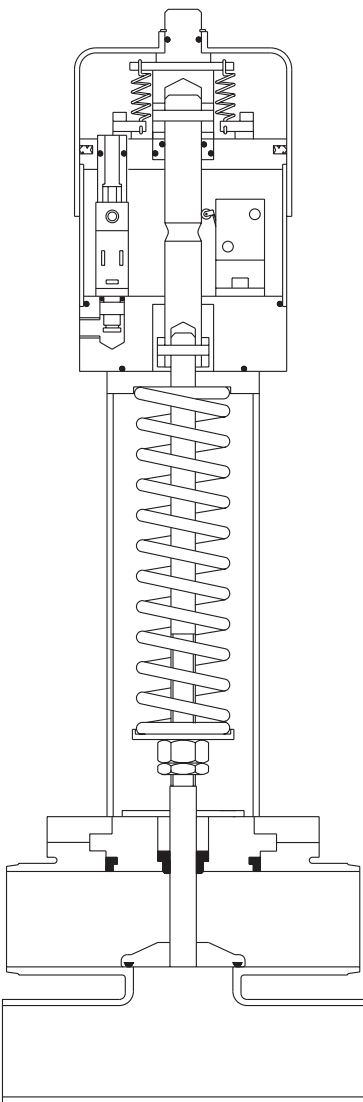


PRESSURE RELIEF VALVES

Designed for modern hygienic process plants for use within the Brewing, dairy, Food and Pharmaceutical industries.

- Stainless steel 316 construction
- Totally enclosed spring mechanism provides easily cleaned external surfaces.
- Simple tamperproof spring adjustment.
- Single and double body options provides 2, 3 + 4 port configuration.
- Suitable for back pressure application.
- Jacketed version available.

Manual and automatic override available.



PRESSURE RELIEF VALVES

Designed specifically for modern hygienic processing plants, Realm pressure relief valves are specified and used extensively throughout the Brewing, Dairy, Beverage, Food and Pharmaceutical industries.

RPR II 1 1/2" - 4"

Stainless steel type 316 construction.

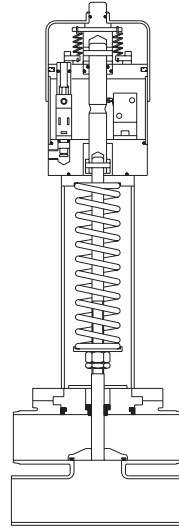
Simple tamperproof spring adjustment.
A wide range of springs ensures optimum sensitivity throughout the operating range.

Totally enclosed spring mechanism provides easily cleaned external surfaces.

Single and double body options provide 2, 3 and 4 port configurations.

Suitable for back pressure applications.

Jacketed version available.



RPR II Manual Override

Robust stainless steel, cam action, operating lever.

Positive lift action.

Micro or proximity switch can be fitted to provide signal indicating valve is open for cleaning.

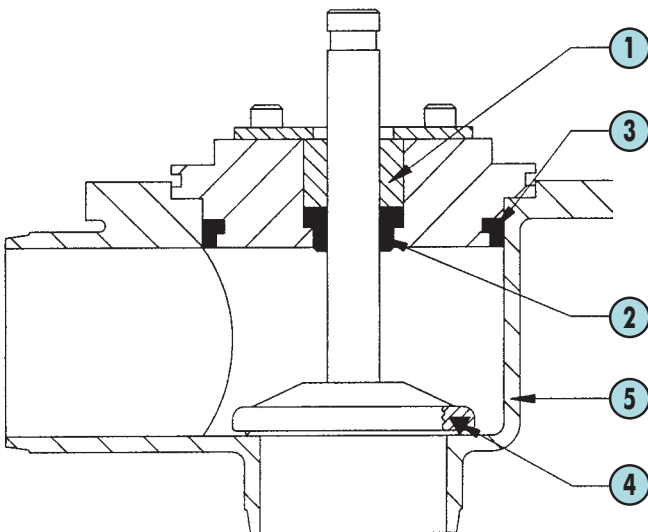
RPR II Automatic Override

Pneumatically operated spring override provides the facility for automated cleaning or remote operation when installed in inaccessible locations.

Dual body multi-port option together with the pneumatic actuator provides a compact hygienic solution for bypass loop applications.

Actuator operation independent of spring mechanism ensures maximum sensitivity during lift and reseating at low pressures.

Integral stainless steel control box, protected to IP65, for feed back switch and solenoid, with plug-in connection for ease of installation and maintenance.



RUNNING SPARES - PRESSURE RELIEF VALVE						
		1 1/2"	2"	2 1/2"	3"	4"
1. Bearing		3000806012	4000806012	4000806012	4000806012	4000806012
2. Shaft Seal	-Medium N	4000806003A	4000806003A	4000806004A	4000806004A	4000806004A
	-EPDM	4000806003C	4000806003C	4000806004C	4000806004C	4000806004C
	-Viton	4000806003D	4000806003D	4000806004D	4000806004D	4000806004D
3. Top Body Seal	-Medium N	3000806013A	4000806013A	6000806013A	6000806013A	7000806013A
	-EPDM	3000806013C	4000806003C	6000806013C	6000806013C	7000806013C
	-Viton	3000806013D	4000806003D	6000806013D	6000806013D	7000806013D
4. Poppet Seal	-Medium N	3000806006A	4000806006A	4000806005A	6000806006A	7000806006A
	-EPDM	3000806006C	4000806006C	4000806005C	6000806006C	7000806006C
	-Viton	3000806006D	4000806006D	4000806005D	6000806006D	7000806006D

Seal Material Identification: Maroon Spot – Medium Nitrile Yellow Spot – EPDM Blue Spot – Viton
Special Poppet Seal Insertion Tool : 0000805016

