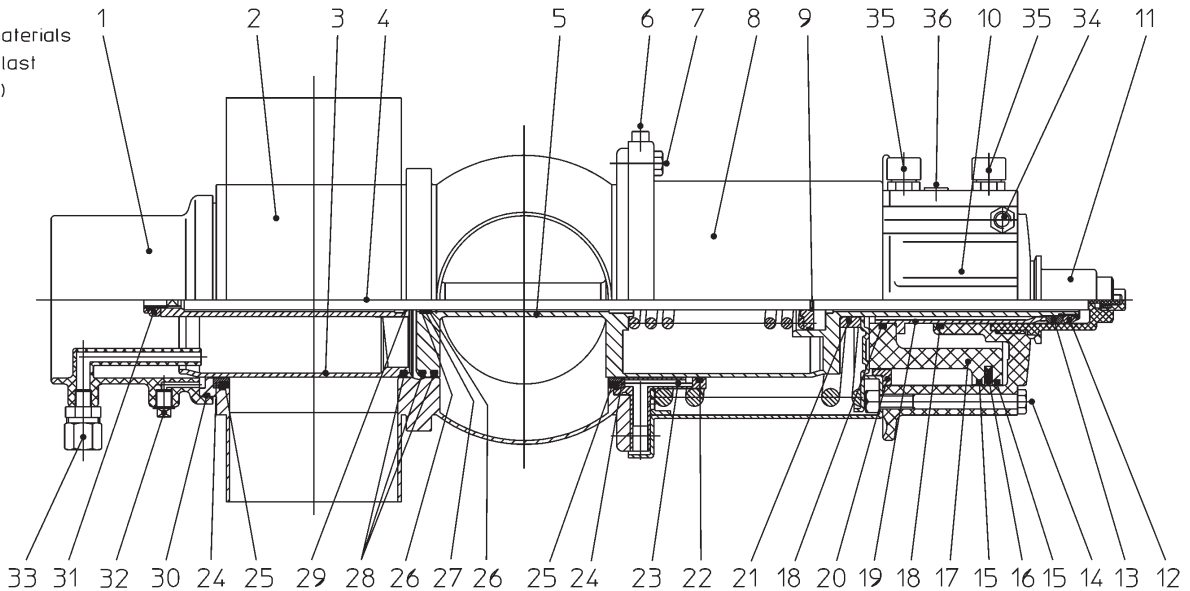




Delta DE3 Double Seat Valve

The following seal materials are available (fill in last two digits of ref.-no.)

*material seals:
../33-HNBR
../93-EPDM



DELTA DE3 DOUBLE SEAT VALVE 1.5"-4" TUBE

Pos	Qty	Description	Part Number					
			1T	1.5T	2T	2.5T	3T	4T
1	1	Cip Connection		09-40-114/93	09-40-114/93	09-40-114/93	09-40-114/93	09-40-115/93
2	1	Housing DE31 1+2S		16-66-401/47	16-66-451/47	16-66-501/47	16-66-551/47	16-66-651/47
		Housing DE32 1+2+3S		16-67-401/47	16-67-451/47	16-67-501/47	16-67-551/47	16-67-651/47
		Housing DE33 1+2+3S		16-68-401/47	16-68-451/47	16-68-501/47	16-68-551/47	16-68-651/47
		Housing DE34 1+2+3+4S		16-69-401/47	16-69-451/47	16-69-501/47	16-69-551/47	16-69-651/47
3	1	Lower Valve Shaft		16-21-377/42	16-21-427/42	16-21-502/42	16-21-552/42	16-21-627/42
4	1	Guide Rod		16-24-398/42	16-24-448/42	16-24-523/42	16-24-573/42	16-24-648/42
5	1	Upper Valve Shaft		16-21-376/42	16-21-426/42	16-21-501/42	16-21-551/42	16-21-626/42
6	2	Cyl. Screw		65-05-082/13	65-05-082/13	65-05-082/13	65-05-082/13	65-05-082/13
7	4	Hex. Screw		65-01-089/15	65-01-089/15	65-01-089/15	65-01-089/15	65-01-089/15
8	1	Spring Actuator		16-30-250/12	16-30-250/12	16-30-250/12	16-30-250/12	16-30-251/12
9	1	Retainer Ring		08-39-083/12	08-39-083/12	08-39-083/12	08-39-083/12	08-39-083/12
10	1	Main Actuator		16-30-244/93	16-30-244/93	16-30-244/93	16-30-244/93	16-30-245/93
11	1	Stop Sleeve		16-28-704/93	16-28-704/93	16-28-704/93	16-28-704/93	16-28-704/93
12	1	Stop Nut		65-50-137/15	65-50-137/15	65-50-137/15	65-50-137/15	65-50-137/15
13	1	Lock Washer		67-03-001/15	67-03-001/15	67-03-001/15	67-03-001/15	67-03-001/15
14	4	Hex. Screw		65-01-093/13	65-01-093/13	65-01-093/13	65-01-093/13	65-01-112/15
15	2	Signal Ring		16-02-020/17	16-02-020/17	16-02-020/17	16-02-020/17	16-02-021/17
16	1	Piston Seal		58-01-760/83	58-01-760/83	58-01-760/83	58-01-760/83	58-01-761/83
17	1	Piston		16-29-124/93	16-29-124/93	16-29-124/93	16-29-124/93	16-29-125/93
18	2	Quad Ring		58-01-236/83	58-01-236/83	58-01-236/83	58-01-236/83	58-01-236/83
19	1	Piston Shaft		16-29-130/12	16-29-130/12	16-29-130/12	16-29-130/12	16-29-131/12
20	1	Cover for Main Actuator		16-24-127/93	16-24-126/93	16-24-124/93	16-24-124/93	16-24-125/93
21	1	Spacer Bush		16-28-230/12	16-28-230/12	16-28-230/12	16-28-230/12	16-28-230/12
22	1	Quad Ring		58-01-329/93	58-01-329/93	58-01-329/93	58-01-329/93	58-01-238/64
23	1	Shaft		16-28-212/93	16-28-212/93	16-28-212/93	16-28-212/93	16-28-213/93
24	2	Shaft Seal		58-33-016/26	58-33-016/26	58-33-016/26	58-33-016/26	58-33-017/26
25	2	Seat Seal *		58-33-493/	58-33-493/	58-33-493/	58-33-493/	58-33-643/
26	2	Support Ring		58-01-048/23	58-01-048/23	58-01-048/23	58-01-048/23	58-01-048/23
27	1	Quad Ring		58-01-049/93	58-01-049/93	58-01-049/93	58-01-049/93	58-01-049/93
28	3	Seat Seal *		58-33-132/	58-33-132/	58-33-132/	58-33-132/	58-33-133/
29	1	O-Ring		58-06-040/63	58-06-040/63	58-06-040/63	58-06-040/63	58-06-040/63
30	1	O-Ring		58-06-295/63	58-06-295/63	58-06-295/63	58-06-295/63	58-06-490/63
31	1	Self-Locking Nut		65-50-087/15	65-50-087/15	65-50-087/15	65-50-087/15	65-50-087/15
32	1	Venting Plug		08-74-014/93	08-74-014/93	08-74-014/93	08-74-014/93	08-74-014/93



Delta DE3 Double Seat Valve (contd)

			DELTA DE3 DOUBLE SEAT VALVE 1.5"-4" TUBE					
			1T	1.5T	2T	2.5T	3T	4T
Pos	Qty	Description	Part Number					
33	1	Straight Union		08-63-003/13	08-63-003/13	08-63-003/13	08-63-003/13	08-63-003/13
	1	Seal Kit EPDM		58-34-660/01	58-34-660/01	58-34-660/01	58-34-660/01	58-34-663/01
	1	Seal Kit HNBR		58-34-660/06	58-34-660/06	58-34-660/06	58-34-660/06	58-34-663/06
34	1	Union		08-63-010/93	08-63-010/93	08-63-010/93	08-63-010/93	08-63-010/93
35	2	Mounting Block		15-33-918/93	15-33-918/93	15-33-918/93	15-33-918/93	15-33-918/93
36	1	Cap		08-05-066/93	08-05-066/93	08-05-066/93	08-05-066/93	08-05-066/93

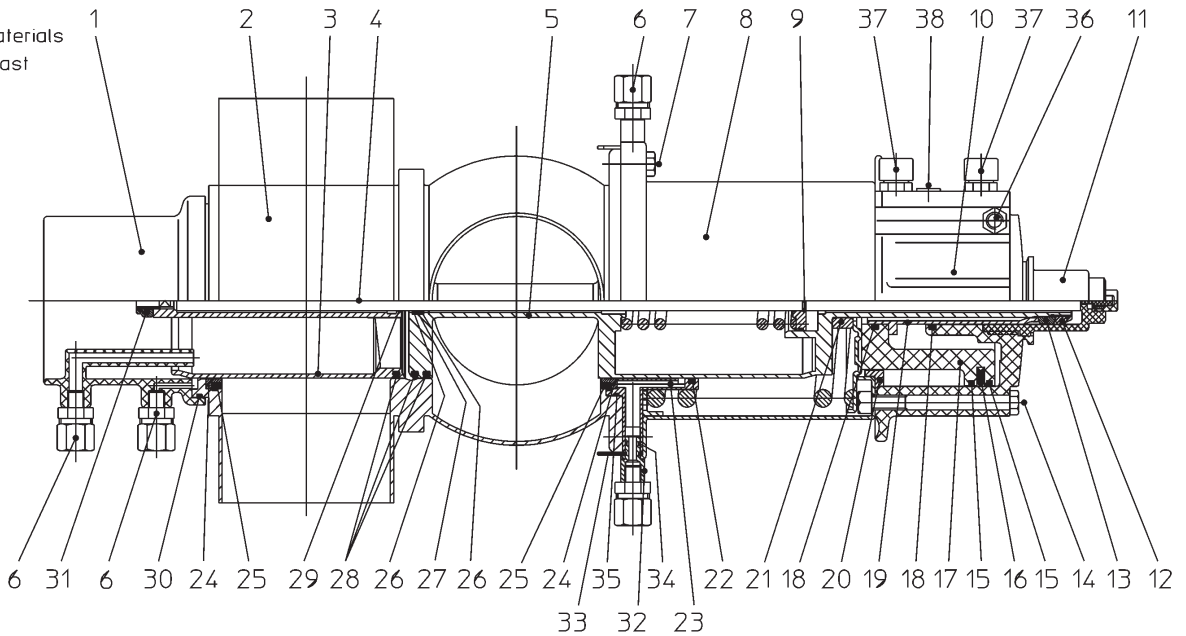
			DELTA DE3 DOUBLE SEAT VALVE DN 40-100					
			25	40	50	65	80	100
Pos	Qty	Description	Part Number					
2	1	Housing DE31 1+2S		16-66-376/47	16-66-426/47	16-66-476/47	16-66-526/47	16-66-626/47
	1	Housing DE32 1+2+3S		16-67-376/47	16-67-426/47	16-67-476/47	16-67-526/47	16-67-626/47
	1	Housing DE33 1+2+3S		16-68-376/47	16-68-426/47	16-68-476/47	16-68-526/47	16-68-626/47
	1	Housing DE34 1+2+3+4S		16-69-376/47	16-69-426/47	16-69-476/47	16-69-526/47	16-69-626/47
3	1	Lower Valve Shaft		16-21-377/42	16-21-427/42	16-21-477/42	16-21-527/42	16-21-627/42
4	1	Guide Rod		16-24-398/42	16-24-448/42	16-24-498/42	16-24-548/42	16-24-648/42
5	1	Upper Valve Shaft		16-21-376/42	16-21-426/42	16-21-476/42	16-21-526/42	16-21-626/42
20	1	Cover for Main Actuator		16-24-127/93	16-24-126/93	16-24-124/93	16-24-125/93	16-24-125/93



Delta DE3 with Shaft Cleaning Valve (1.5"-4" Tube)

The following seal materials are available (fill in last two digits of ref.-no.)

*material seals:
.../33-HNBR
.../93-EPDM



			DELTA DE3 DOUBLE SEAT VALVE WITH SHAFT CLEANING 1.5-4 TUBE					
			1T	1.5T	2T	2.5T	3T	4T
Pos	Qty	Description	Part Number					
1	1	Cip Connection		09-40-114/93	09-40-114/93	09-40-114/93	09-40-114/93	09-40-115/93
2	1	Housing DE31 1+2S		16-66-401/47	16-66-451/47	16-66-501/47	16-66-551/47	16-66-651/47
	1	Housing DE32 1+2+3S		16-67-401/47	16-67-451/47	16-67-501/47	16-67-551/47	16-67-651/47
	1	Housing DE33 1+2+3S		16-68-401/47	16-68-451/47	16-68-501/47	16-68-551/47	16-68-651/47
	1	Housing DE34 1+2+3+4S		16-69-401/47	16-69-451/47	16-69-501/47	16-69-551/47	16-69-651/47
3	1	Lower Valve Shaft		16-21-377/42	16-21-427/42	16-21-502/42	16-21-552/42	16-21-627/42
4	1	Guide Rod		16-24-398/42	16-24-448/42	16-24-523/42	16-24-573/42	16-24-648/42
5	1	Upper Valve Shaft		16-21-376/42	16-21-426/42	16-21-501/42	16-21-551/42	16-21-626/42
6	4	Straight Union		08-63-003/13	08-63-003/13	08-63-003/13	08-63-003/13	08-63-003/13



Delta DE3 Double Seat Valve (contd)

			DELTA DE3 DOUBLE SEAL VALVE WITH SHAFT CLEANING 1.5"-4" TUBE					
			1T	1.5T	2T	2.5T	3T	4T
Pos	Qty	Description	Part Number					
7	4	Hex. Screw		65-01-089/15	65-01-089/15	65-01-089/15	65-01-089/15	65-01-089/15
8	1	Spring Actuator		16-30-250/12	16-30-250/12	16-30-250/12	16-30-250/12	16-30-251/12
9	1	Retainer Ring		08-39-083/12	08-39-083/12	08-39-083/12	08-39-083/12	08-39-083/12
10	1	Main Actuator		16-30-244/93	16-30-244/93	16-30-244/93	16-30-244/93	16-30-245/93
11	1	Stop Sleeve		16-28-704/93	16-28-704/93	16-28-704/93	16-28-704/93	16-28-704/93
12	1	Stop Nut		65-50-137/15	65-50-137/15	65-50-137/15	65-50-137/15	65-50-137/15
13	1	Lock Washer		67-03-001/15	67-03-001/15	67-03-001/15	67-03-001/15	67-03-001/15
14	4	Hex. Screw		65-01-093/13	65-01-093/13	65-01-093/13	65-01-093/13	65-01-112/15
15	2	Signal Ring		16-02-020/17	16-02-020/17	16-02-020/17	16-02-020/17	16-02-021/17
16	1	Piston Seal		58-01-760/83	58-01-760/83	58-01-760/83	58-01-760/83	58-01-761/83
17	1	Piston		16-29-124/93	16-29-124/93	16-29-124/93	16-29-124/93	16-29-125/93
18	2	Quad Ring		58-01-236/83	58-01-236/83	58-01-236/83	58-01-236/83	58-01-236/83
19	1	Piston Shaft		16-29-130/12	16-29-130/12	16-29-130/12	16-29-130/12	16-29-131/12
20	1	Cover for Main Actuator		16-24-127/93	16-24-126/93	16-24-124/93	16-24-124/93	16-24-125/93
21	1	Spacer Bush		16-28-230/12	16-28-230/12	16-28-230/12	16-28-230/12	16-28-230/12
22	1	Quad Ring		58-01-329/93	58-01-329/93	58-01-329/93	58-01-329/93	58-01-238/64
23	1	Shaft		16-28-212/93	16-28-212/93	16-28-212/93	16-28-212/93	16-28-213/93
24	2	Shaft Seal		58-33-016/26	58-33-016/26	58-33-016/26	58-33-016/26	58-33-017/26
25	2	Seat Seal *		58-33-493/	58-33-493/	58-33-493/	58-33-493/	58-33-643/
26	2	Support Ring		58-01-048/23	58-01-048/23	58-01-048/23	58-01-048/23	58-01-048/23
27	1	Quad Ring		58-01-049/93	58-01-049/93	58-01-049/93	58-01-049/93	58-01-049/93
28	3	Seat Seal *		58-33-132/	58-33-132/	58-33-132/	58-33-132/	58-33-133/
29	1	O-Ring		58-06-040/63	58-06-040/63	58-06-040/63	58-06-040/63	58-06-040/63
30	1	O-Ring		58-06-295/63	58-06-295/63	58-06-295/63	58-06-295/63	58-06-490/63
31	1	Self-Locking Nut		65-50-087/15	65-50-087/15	65-50-087/15	65-50-087/15	65-50-087/15
32	2	CIP Connection		16-38-060/17	16-38-060/17	16-38-060/17	16-38-060/17	16-38-060/17
33	2	Safety Spring		67-03-015/13	67-03-015/13	67-03-015/13	67-03-015/13	67-03-015/13
34	2	O-Ring		58-06-014/63	58-06-014/63	58-06-014/63	58-06-014/63	58-06-014/63
35	1	O-Ring		58-06-332/73	58-06-332/73	58-06-332/73	58-06-332/73	58-06-503/73
36	1	Union		08-63-010/93	08-63-010/93	08-63-010/93	08-63-010/93	08-63-010/93
37	2	Mounting Block		15-33-918/93	15-33-918/93	15-33-918/93	15-33-918/93	15-33-918/93
38	1	Cap		08-05-066/93	08-05-066/93	08-05-066/93	08-05-066/93	08-05-066/93
	1	Seal Kit EPDM		58-34-660/01	58-34-660/01	58-34-660/01	58-34-660/01	58-34-663/01
	1	Seal Kit HNBR		58-34-660/06	58-34-660/06	58-34-660/06	58-34-660/06	58-34-663/06

			DELTA DE3 DOUBLE SEAL VALVE WITH SHAFT CLEANING DN40-100					
			25	40	50	65	80	100
Pos	Qty	Description	Part Number					
2	1	Housing DE31 1+2S		16-66-376/47	16-66-426/47	16-66-476/47	16-66-526/47	16-66-626/47
	1	Housing DE32 1+2+3S		16-67-376/47	16-67-426/47	16-67-476/47	16-67-526/47	16-67-626/47
	1	Housing DE33 1+2+3S		16-68-376/47	16-68-426/47	16-68-476/47	16-68-526/47	16-68-626/47
	1	Housing DE34 1+2+3+4S		16-69-376/47	16-69-426/47	16-69-476/47	16-69-526/47	16-69-626/47
3	1	Lower Valve Shaft		16-21-377/42	16-21-427/42	16-21-477/42	16-21-527/42	16-21-627/42
4	1	Guide Rod		16-24-398/42	16-24-448/42	16-24-498/42	16-24-548/42	16-24-648/42
5	1	Upper Valve Shaft		16-21-376/42	16-21-426/42	16-21-476/42	16-21-526/42	16-21-626/42
20	1	Cover for Main Actuator		16-24-127/93	16-24-126/93	16-24-124/93	16-24-125/93	16-24-125/93