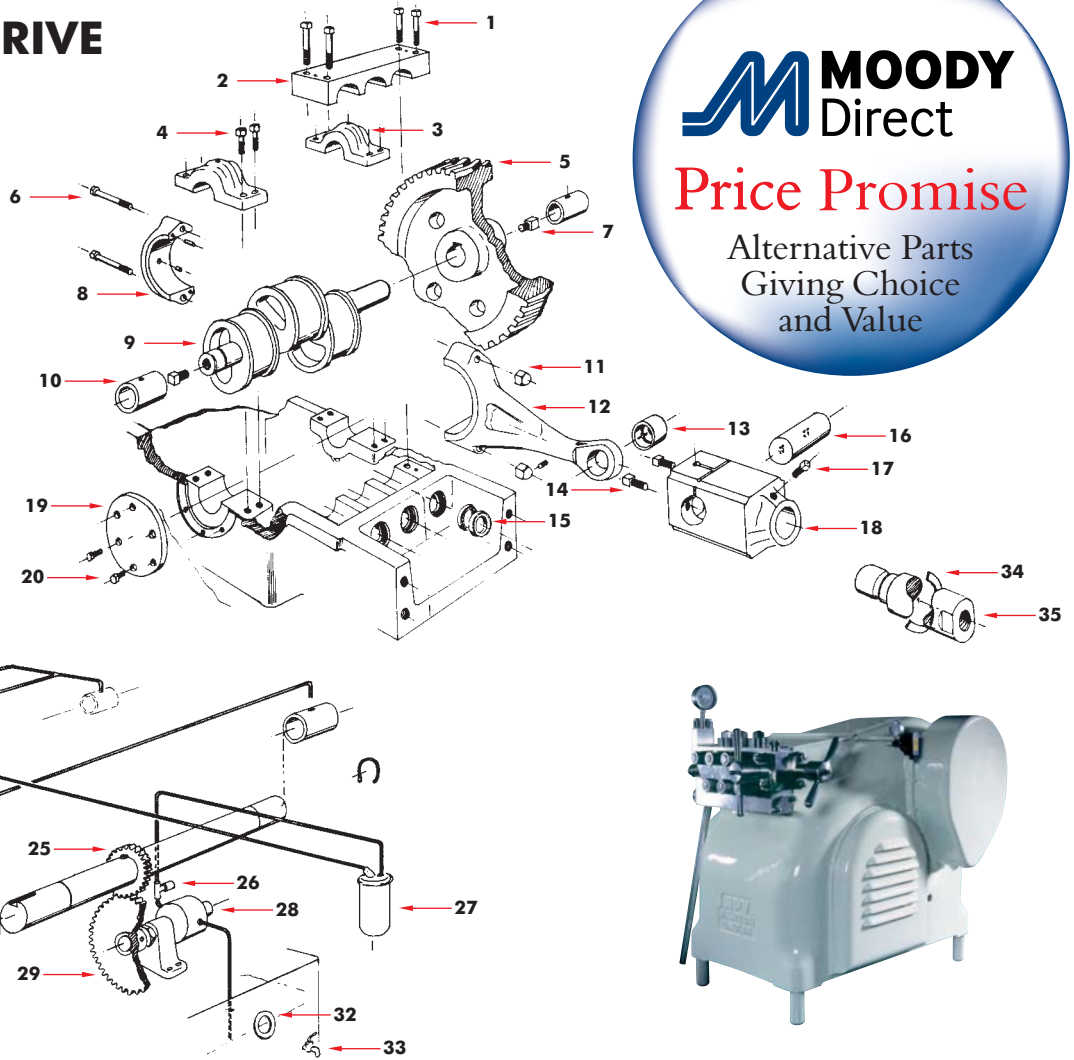


# K SERIES

## K SERIES MAIN DRIVE ASSEMBLY



**MOODY**  
Direct

**Price Promise**

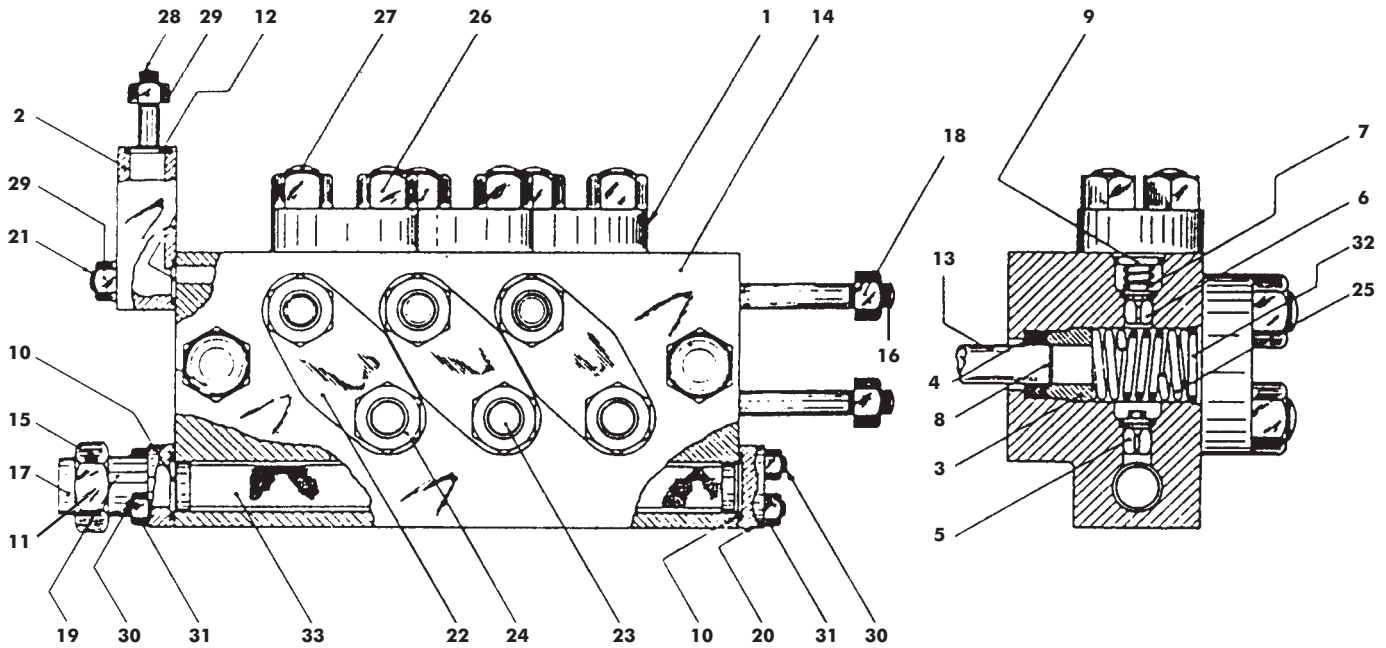
Alternative Parts  
Giving Choice  
and Value

K SERIES MAIN DRIVE COMPONENTS					
Item No.	Description	K3	K6	K12	K24
1	Crosshead Cover Screw	402386	402382	402382	402375
2	Crosshead Guide Cover	315820	315817	315819	315821
3	Pillow Block	312112			
4	Bearing Cap & Pillow Block Screw	402388	402383	402385	402377
5	Gear Wheel	410010	410004	410008	323204
6	Connecting Rod Bolt	402389	402380	402387	402379
7	Eccentric Shaft Pipe Plug	424342	424320	424320	434320
8	Connecting Rod Cap (must get complete Conn.Rod).	313319	313307	313313	313321
9	Eccentric Shaft	435805	346223	346226	346234
10	Eccentric Shaft Bearing	n/a	401338	401312	401314
11	Connecting Rod Lock Nut	418043	418045	418045	418046
12	Connecting Rod Bearings: Halfliner Bearings: Shell	344928	344921	344926	427408
			415208	415206	415209
13	Wrist Pin Bearing	401319	401309	401306	401310
14	Wrist Pin Set Screw		434214	434214	434233
15	Baffle Seal	427813	427811	427812	427814
16	Wrist Pin	338419	338416	338418	338420
17	Piston Adaptor Set Screw		434212	434225	434232
18	Crosshead	324040	324035	324036	324038

K SERIES MAIN DRIVE COMPONENTS					
Item No.	Description	K3	K6	K12	K24
19	Eccentric Shaft Cover Plate		340913	340914	340923
20	Eccentric Cover Plate Screw		434218	434218	434228
21	Oil Pressure Gauge Dual Dial	409640	409640	409640	409640
22	Oil Pressure Switch			438080	438080
23	Oil Cooler		407001	407001	407001
24	Drive Shaft Bearing	401323	401318	401322	401320
25	Oil Pump Driven Gear	410012	410006	410006	410006
26	Oil Pressure Relief Valve		441673	441673	441673
27	Oil Filter	1004023	1004068	1004068	1004068
28	Oil Pump	424409	424407	424407	424407
29	Oil Pump Driving Gear		410007	410025	410014
30	Drive Shaft	346231	346225	346250	346233
31	Pinion	410011	410005	410009	410013
32	Oil Level Gauge	409641	409641	409641	409641
33	Oil Drain Cock	405354	405354	405354	405354
34	Water Drip Ring	426451	426525	426530	426540
35	Piston Adaptor (3,000 p.s.i.)		301546	301548	301549
	Piston Adaptor (5,000 p.s.i.)		301546	301528	301549
	Bearings, Half Liner			415206	415209
	Shell		415208		

## K SERIES CYLINDER BLOCK ASSEMBLY

K series Poppet Valve Cylinder Assembly for 3,000 p.s.i. and 5,000 p.s.i machines



K SERIES CYLINDER ASSEMBLY (POPPET)		3,000 P.S.I				5,000 P.S.I			
Item No.	Description	K3	K6	K12	K24	K3	K6	K12	K24
1	Upper Cylinder Cap	313317	313305	313311	313311	313317	313305	313373	313311
2	Gauge Block	312111	312111	312111	312111	312111	312111	312111	312111
	Gauge Block complete with items 28+29	226615	226615	226615	226615	226615	226615	226615	226615
3	Piston Rings								
	7/8" dia. Piston	345054				344375			
	1" dia. Piston		345064				426730		
	1.3/16" dia. Piston		345055				344386		
	1.3/8" dia. Piston		345056					344374	
	1.7/16" dia. Piston			345057				344373	
	1.19/32" dia. Piston			345058					
	1.13/16" dia. Piston			345059	345060				344395
	1.15/16" dia. Piston				345061				
	2.1/8" dia. Piston				345062				
	2.3/8" dia. Piston								
4	Packing Adjusting Ring								
	7/8" dia. Piston	426652				344844			
	1" dia. Piston		426620				344843		
	1.3/16" dia. Piston		426621				344848		
	1.3/8" dia. Piston		426622					344846	
	1.7/16" dia. Piston							344847	
	1.19/32" dia. Piston			426629					
	1.13/16" dia. Piston			426630					
	1.15/16" dia. Piston			426631	355617				344855
	2.1/8" dia. Piston				426658				
	2.3/8" dia. Piston				426659				
5	Suction Valve	354139	354135	354137	354141	354139	354201	354201	354137
6	Discharge Valve	354139	354135	354155	354155	354139	354135	354135	354137
7	Discharge Valve Spring	436544	436545	436545	436545	436544	436545	436545	436545
8	Piston Packing Rings								
	7/8" dia. Piston					426717			
	1" dia. Piston	426688					426688		
	1.3/16" dia. Piston		426689				426733		
	1.3/8" dia. Piston		426690					426690	
	1.7/16" dia. Piston		426691					426691	

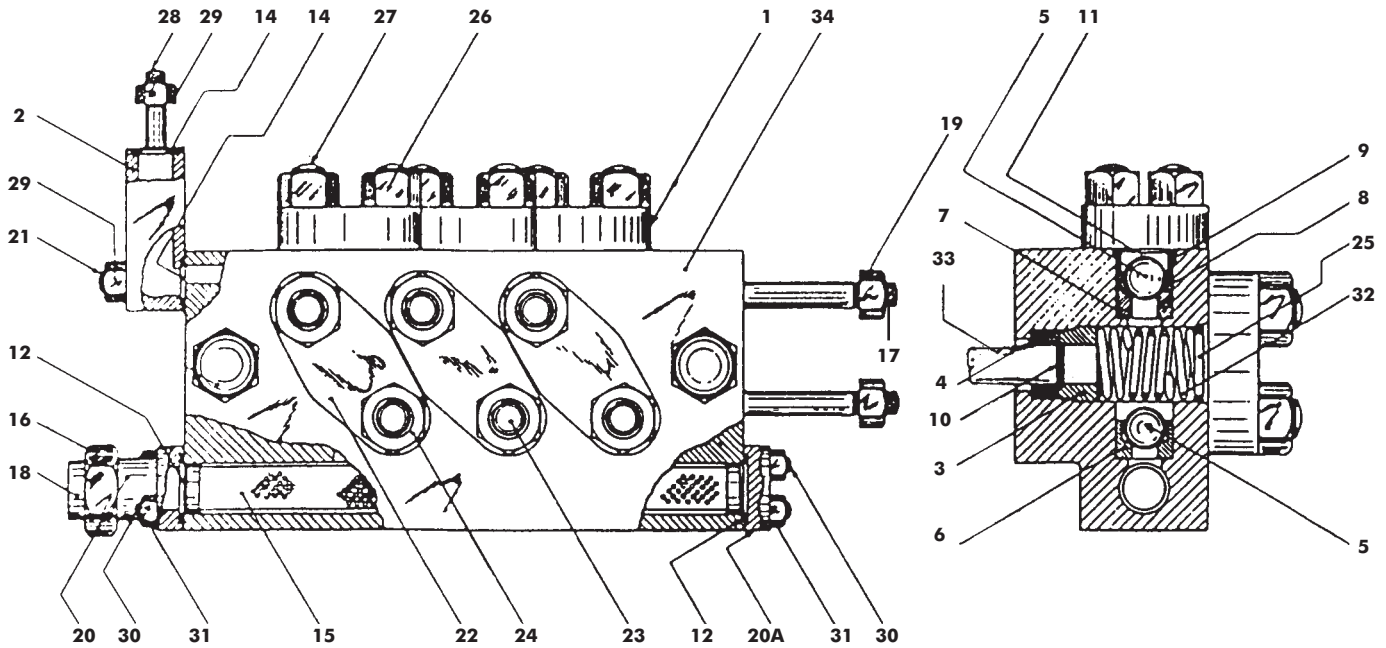
continued on next page...

K SERIES CYLINDER ASSEMBLY (POPPET)		3,000 P.S.I				5,000 P.S.I			
Item No.	Description	K3	K6	K12	K24	K3	K6	K12	K24
8 continued	1.19/32" dia. Piston 1.13/16" dia. Piston 1.15/16" dia. Piston 2.1/8" dia. Piston 2.3/8" dia. Piston		426692						
				426693					
				426694	426695				426694
					427394				
					426696				
9	Upper Cylinder Cap Gasket	426664	426665	426660	426660	426664	426665	426665	426660
10	Cylinder Inlet Gasket	409932	409917	409923	409923	409932	409917	409923	409923
11	Seal Ring Assembly SP Ring Joint RJT	427832 413509	427832 413509	427833 413510	427833 413510	427832 413509	427832 413509	427833 413510	427833 413510
12	Gauge & Gauge Block Gasket	449395	449395	449395	449395	449395	449395	449395	449395
13	Pistons 7/8" dia. Piston 1" dia. Piston 1.3/16" dia. Piston 1.3/8" dia. Piston 1.7/16" dia. Piston 1.19/32" dia. Piston 1.13/16" dia. Piston 1.15/16" dia. Piston 2.1/8" dia. Piston 2.3/8" dia. Piston	341948				341947			
			341949				341924		
			341950				341949		
			341951					341952	
				341954				341953	
				341955					
				341956	341958				341958
					341959				
					341960				
14	Cylinder Block (all size pistons) Cylinder Block 7/8" Piston Cylinder Block 1" Piston Cylinder Block 1.3/16" Piston Cylinder Block 1.3/8" & 1.7/16" Piston Cylinder Block 1.15/16" Piston 1.19/32" & 1.13/16" dia. Piston 1.15/16" dia. Piston 2.1/8" dia. Piston 2.3/8" dia. Piston Cylinder complete with fitted stud items 23, 27, 21, 30, 34 For all size Pistons 1.19/32" & 1.13/16" dia. Piston 1.15/16" dia. Piston 2.1/8" dia. Piston 2.3/8" dia. Piston Strainer complete (not standard issue)	316915	316922			316955			
							316936		
							316964		
								316956	
									316957
				316912					
				316913	316917				
					316918				
					316919				
		226606	226607						
				226608					
				226609	226610				
					226611				
					226612				
		217622	217623	217624	217625	217622	217623	217624	217625
15	Inlet Connection Union Nut 3A Inlet Connection Nut ISS Inlet Connection Union Nut RJT	335328 334541 334306	335328 334541 334306	335331 334542 334305	335331 334542 334305	335328 334541 334306	335328 334541 334306	335331 334542 334305	335331 334542 334305
16	Valve Body Stud	353813	353813	353821	353821	353813	353813	353821	353821
17	Inlet Connection Liner 3A Inlet Connection Liner ISS Inlet Connection Liner RJT	322607 210701 329035	322607 210701 329035	322608 210702 329034	322608 210702 329034	322607 210701 329035	322607 210701 329035	322608 210702 329034	322608 210702 329034
18	Valve Body Stud Nut	335377	335377	335378	335378	335377	335377	335378	335378
19	Inlet Connection 3A Inlet Connection ISS Inlet Connection RJT	315411 315423 315413	315409 315424 315414	315410 315425 315427	315410 315425 315427	315411 315423 315413	315409 315424 315414	315410 315425 315427	315410 315425 315427
20	Inlet Cap	313316	313304	311310	313310	313316	313304	311310	313310
21	Gauge Block Stud	353817	353817	353817	353817	353817	353817	353817	353817
22	Front Cylinder Cap	313318	313365	313366	313367	313305	313368	313369	313370
23	Front Cylinder Cap Stud	348962	348968	348970	348967	348963	348968	348970	348967
24	Front Cylinder Cap Stud Nut	335378	335381	335382	335380	335379	335381	335382	335380
25	Front Cylinder Cap Gasket	426660	426661	426662	426663	426665	426660	426661	426662
26	Upper Cylinder Cap Stud Nut	335377	335379	335380	335380	335377	335379	335380	335380
27	Upper Cylinder Cap Stud	348961	348963	348965	348965	348961	348963	348965	348965
28	Gauge Stud	348959	348959	348959	348959	348959	348959	348959	348959
29	Gauge & Gauge Block Stud Nut	335388	335388	335388	335388	335388	335388	335388	335388
30	Cylinder Inlet Stud	348958	348958	348958	348958	348958	348958	348958	348958
31	Cylinder Inlet Stud Nut	335387	335387	335387	335387	335387	335387	335387	335387
32	Packing Adjusting Spring	436519	436514	436518	436522	436577	436519	436514	436518
33	Strainer	217622	217623	217624	217625	217622	217623	217624	217625



## K SERIES CYLINDER BLOCK ASSEMBLY

K series Ball Valve Cylinder Assembly for 3,000 p.s.i. and 5,000 p.s.i machines



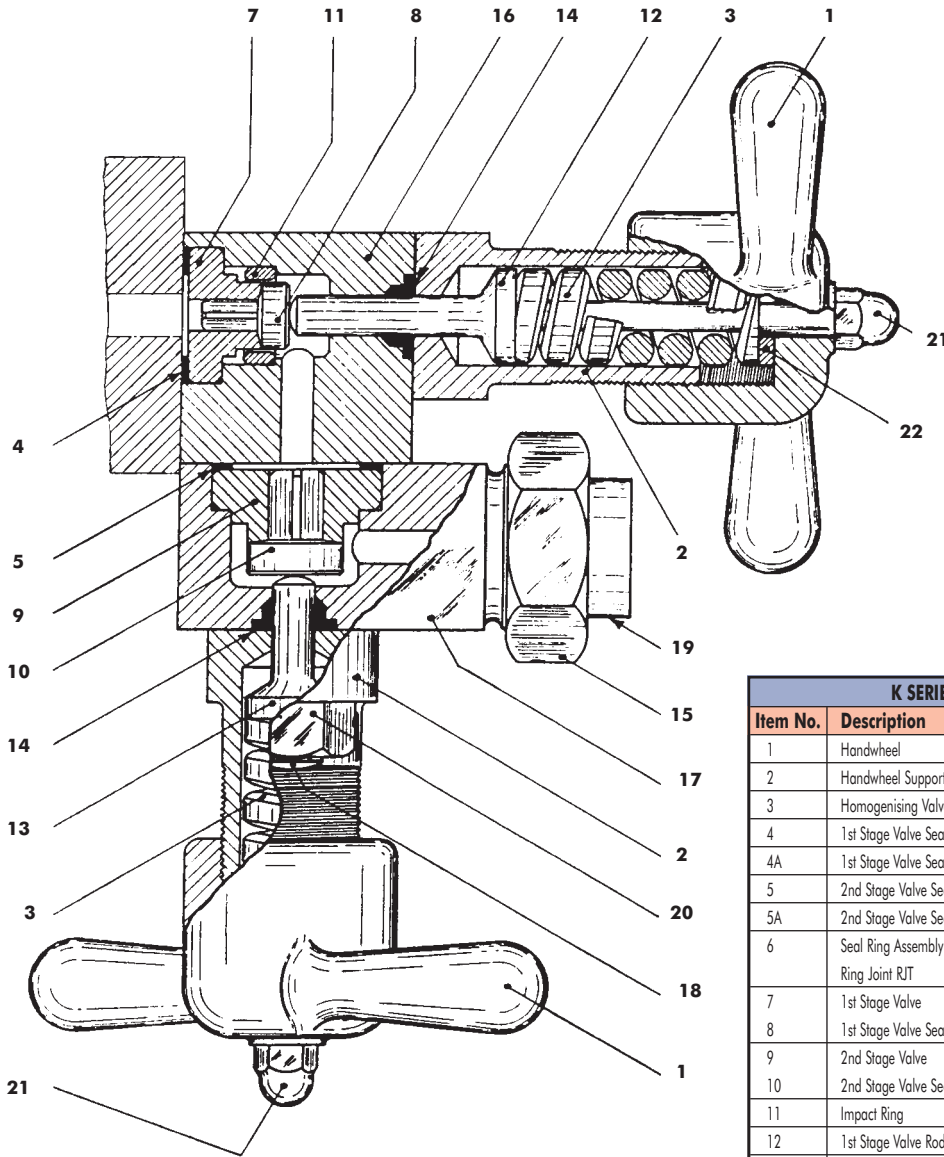
K SERIES CYLINDER ASSEMBLY (BALL)		3,000 P.S.I				5,000 P.S.I			
Item No.	Description	K3	K6	K12	K24	K3	K6	K12	K24
1	Upper Cylinder Cap	313325	313327	313328	313328	313325	313327	313337	313328
2	Gauge Block	312111	312111	312111	312111	312111	312111	312111	312111
	Gauge Block complete with items 28 & 29	226615	226615	226615	226615	226615	226615	226615	226615
3	Piston Rings	7/8" dia. Piston 1" dia. Piston 1.3/16" dia. Piston 1.3/8" dia. Piston 1.7/16" dia. Piston 1.19/32" dia. Piston 1.13/16" dia. Piston 1.15/16" dia. Piston 2.1/8" dia. Piston 2.3/8" dia. Piston	345045	345050 345055 345056	345057 345058 345059	344369 344370 344371	344375 426730 344386	344374 344373	344395
4	Packing Adjusting Ring	7/8" dia. Piston 1" dia. Piston 1.3/16" dia. Piston 1.3/8" dia. Piston 1.7/16" dia. Piston 1.19/32" dia. Piston 1.13/16" dia. Piston 1.15/16" dia. Piston 2.1/8" dia. Piston 2.3/8" dia. Piston	344843	344845 344846 344847	344849 344850 344851	344852 344853 344854	344844 344843 344848	344846 344847	344855
5	Suction & Discharge Valve "13% CR. S/S" Suction & Discharge Valve "Stellite"	401614 401619	401615 401622	401616 401623	401616 401623	401614 401619	401615 401622	401615 401622	401616 401623
6	Suction Valve Seat	438514	438515	438512	438512	438514	438515	438515	438512
7	Discharge Valve Seat Suction Valve Seat Guide	438513	438516	438529 354504	438512 354504	438513	438516	438516	438512 435309
8	Discharge Valve Seat Guide	354500	354501	354505	354505	435307	435308	435308	435310
9	Discharge Valve Spring				436543				

K SERIES CYLINDER ASSEMBLY (BALL)		3,000 P.S.I				5,000 P.S.I			
Item No.	Description	K3	K6	K12	K24	K3	K6	K12	K24
10	Piston Packing Rings 7/8" dia. Piston 1" dia. Piston 1.3/16" dia. Piston 1.3/8" dia. Piston 1.7/16" dia. Piston 1.19/32" dia. Piston 1.13/16" dia. Piston 1.15/16" dia. Piston 2.1/8" dia. Piston 2.3/8" dia. Piston	426688	426689 426690 426691	426692 426693 426694	426695 426687 426696	426717	426688 426733	426690 426691	426694
11	Upper Cylinder Cap Gasket	426664	426665	426660	426660	426665	426665	426665	426660
12	Cylinder Inlet Gasket	409948	409949	409947	409947	409948	409949	409947	409947
13	Seal Ring Assembly ISS Ring Joint RJT	426435 413509	426435 413509	426346 413510	426436 413510	426435 413509	426435 413509	426436 413510	426436 413510
14	Gauge & Gauge Block Gasket	409943	409943	409943	409943	409943	409943	409943	409943
15	Strainer complete (not standard issue)	217622	217623	217624	217625	217622	217623	217624	217625
16	Inlet Connection Union Nut 3A Inlet Connection Nut ISS Inlet Connection Union Nut RJT	335328 334541 334306	335328 334541 334306	335331 334542 334305	335331 334542 334305	335328 334541 334306	335328 334541 334306	335331 334542 334305	335331 334542 334305
17	Valve Body Stud	353813	353813	353821	353821	353813	353813	353821	353821
18	Inlet Connection Liner 3A Inlet Connection Liner ISS Inlet Connection Liner RJT	322607 210701 329035	322607 210701 329035	322608 210702 329034	322608 210702 329034	322607 210701 329035	322607 210701 329035	322608 210702 329034	322608 210702 329034
19	Valve Body Stud Nut	335337	335337	335378	335378	335377	335377	335378	335378
20	Inlet Connection 3A Inlet Connection ISS Inlet Connection RJT Inlet Cap	315411 315423 315413 313316	315409 315424 315414 313304	315410 315425 315427 313310	315410 315425 315427 313310	315411 315423 315413 313316	315409 315424 315414 313304	315410 315425 315427 313310	315410 315425 315427 313310
21	Gauge Block Stud	353817	353817	353817	353817	353817	353817	353817	353817
22	Front Cylinder Cap	313318	313365	313366	313367	313305	313368	313369	313370
23	Front Cylinder Cap Stud	348962	348968	348970	348967	348963	348968	348970	348967
24	Front Cylinder Cap Stud Nut	335378	335381	335382	335380	335379	335381	335382	335380
25	Front Cylinder Cap Gasket	426660	426661	426662	426663	426665	426660	426661	426662
26	Upper Cylinder Cap Stud Nut	335377	335379	335380	335380	335377	335379	335380	335380
27	Upper Cylinder Cap Stud	348961	348963	348965	348965	348961	348963	348965	348965
28	Gauge Stud	348959	348959	348959	348959	348959	348959	348959	348959
29	Gauge & Gauge Block Stud Nut	335388	335388	335388	335388	335388	335388	335388	335388
30	Cylinder Inlet Stud	348958	348958	348958	348958	348958	348958	348958	348958
31	Cylinder Inlet Stud Nut	335387	335387	335387	335387	335387	335387	335387	335387
32	Packing Adjusting Spring	436519	436514	436518	436522	436557	436519	436514	436518
33	Pistons 7/8" dia. Piston 1" dia. Piston 1.3/16" dia. Piston 1.3/8" dia. Piston 1.7/16" dia. Piston 1.19/32" dia. Piston 1.13/16" dia. Piston 1.15/16" dia. Piston 2.1/8" dia. Piston 2.3/8" dia. Piston	341948	341949 341950 341951	341954 341955 341956	341958 341959 341960	341947	341924 341949	341952 341953	341958
34	Cylinder Block (all size pistons) For 1" dia Pistons. 1.3/16" dia. Piston 1.19/32" & 1.13/16" dia. Pistons 1.15/16" dia. Piston 2.1/8" dia. Piston 2.3/8" dia. Piston Cylinder complete with fitted studs and seat items 23, 27, 21, 34, 30, 6, 7 & 8 For all size Pistons 1.19/32" & 1.13/16" dia. Pistons 1.15/16" dia. Piston 2.1/8" dia. Piston 2.3/8" dia. Piston	316924	316925	316968 316969	316929 316930 316931	316933	316934 316963	316932	316965
		226613	226614	226616 226617	226618 226619 226620				



## K SERIES HOMOGENISING VALVE

Two-stage Homogenising Valve Assembly for 3,000 p.s.i. and 5,000 p.s.i. machines



K SERIES TWO STAGE HOMOGENISING COMPONENTS					
Item No.	Description	K3	K6	K12	K24
1	Handwheel	223107	223107	223106	223106
2	Handwheel Support	349417	349417	349418	349418
3	Homogenising Valve Rod Spring	436451	436451	436452	436452
4	1st Stage Valve Seat Gasket - Rubber	409916	409916	409917	409923
4A	1st Stage Valve Seat Gasket - Bakelite	409944	409944	409949	409947
5	2nd Stage Valve Seat Gasket - Rubber	409917	409917	409923	409923
5A	2nd Stage Valve Seat Gasket - Bakelite	409949	409949	409947	409947
6	Seal Ring Assembly I.S.S.	426536	426536	426536	426536
	Ring Joint RJT	413509	413509	413509	413509
7	1st Stage Valve	441708	441708	441709	441711
8	1st Stage Valve Seat (Sold complete)				
9	2nd Stage Valve	441709	441709	441711	441711
10	2nd Stage Valve Seat (Sold complete)				
11	Impact Ring	426614	426614	426615	426666
12	1st Stage Valve Rod	344922	344922	344924	344924
13	2nd Stage Valve Rod	344923	344923	344925	344925
14	Valve Rod Packing	426616	426616	426616	426616
15	Discharge Nut 3.A.	335328	335328	35328	335328
	Discharge Nut I.S.S.	334517	334517	334517	334517
	Discharge Nut R.J.T.	334306	334306	334306	334306
16	1st Stage Valve Body	308721	308721	308725	308729
17	2nd Stage Valve Body 3.A.	308723	308723	308727	308727
	2nd Stage Valve Body I.S.S.	308712	308712	308713	308713
	2nd Stage Valve Body R.J.T.	200732	200732	200727	200727
18	2nd Stage Valve Body Stud	437655	437655	437654	437654
19	Discharge Liner 3.A.	322607	322607	322607	322607
	Discharge Liner I.S.S.	330107	330107	330107	330107
	Discharge Liner R.J.T.	329035	329035	329035	329035
20	2nd Stage Valve Body Stud Nut	335377	335377	335378	335378
21	Valve Rod Cap Nut	335329	335329	335329	335329
22	Valve Rod Washer	355077	355077	355078	355078