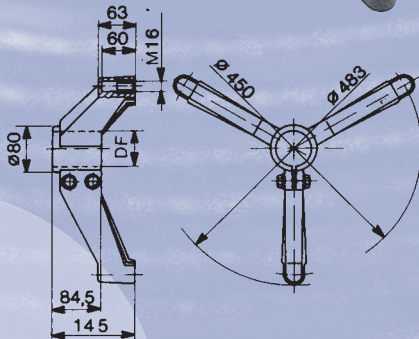


SIDE GUIDE BRACKETS

TRIPODS

Material: Reinforced polyamide, threaded bushings and spacers in nickel plated brass, screws in S/S AISI 304.

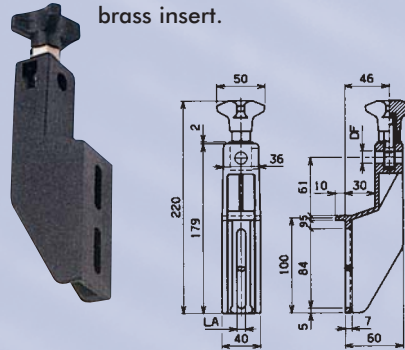
- Cross Ribs
- Increased Thickness
- Load Resistance Improved 30%
- Flex Resistance Improved 20%



CODE	DF-for tube Ø	
	mm	inch.
15507	48,3	1 1/2
15826	50,9	-

BRACKET WITH EYE-BOLT

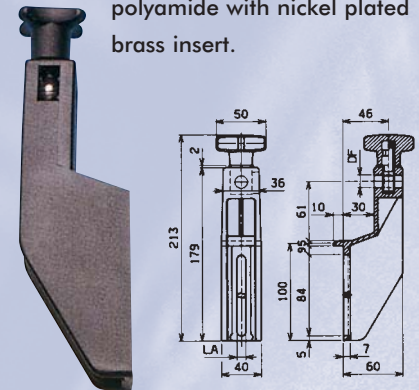
Material: Polyamide, eyebolt and washer in S/S AISI 304, knob in polyamide with nickel plated brass insert.



CODE	LA	DF
13639	9	12,5
13640	9	14,5

BRACKET WITH EYE-BOLT

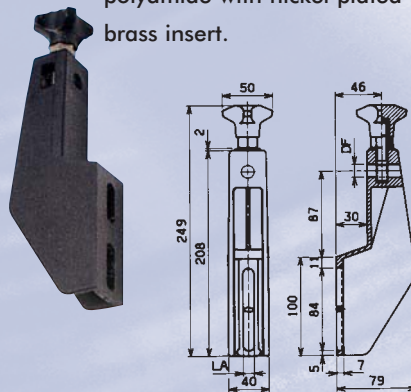
Material: Polyamide, eyebolt and washer in S/S AISI 304, knob in polyamide with nickel plated brass insert.



CODE	LA	DF
13868	9	12,5
13869	9	14,5

BRACKET WITH EYE-BOLT

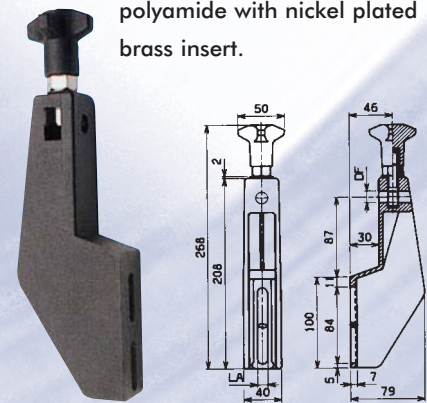
Material: Polyamide, eyebolt and washer in S/S AISI 304, knob in polyamide with nickel plated brass insert.



CODE	LA	DF
13326	9	12,5
13328	9	16,5
13332	10,5	12,5
13334	10,5	16,5

BRACKET WITH EYE-BOLT

Material: Polyamide, eyebolt and washer in S/S AISI 304, knob in polyamide with nickel plated brass insert.



CODE	LA	DF
13221	9	12,5
13223	9	16,5
13224	10,5	12,5
13226	10,5	16,5