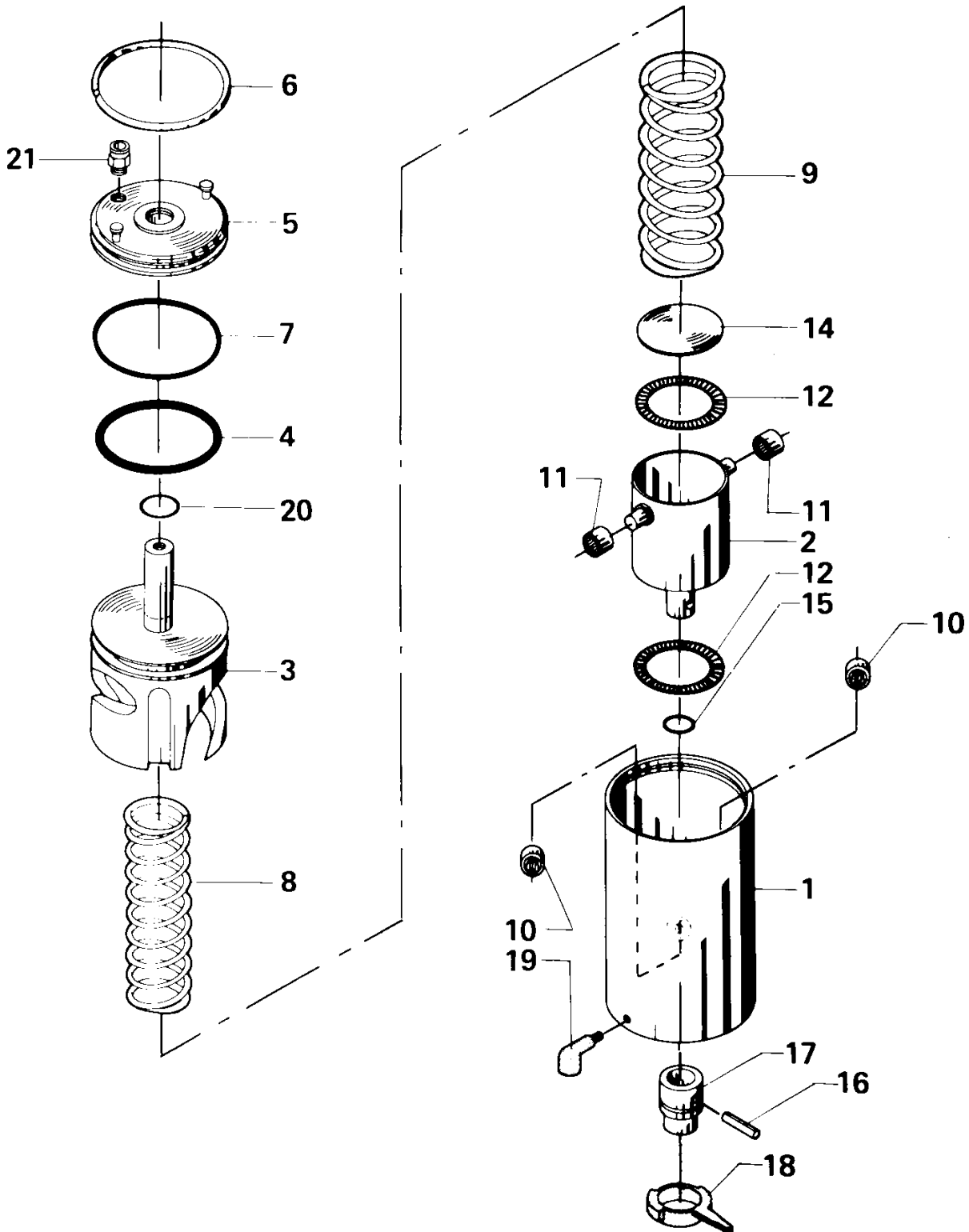


Actuator Air/Spring
Type LKLA-T (NC-NO) ø85

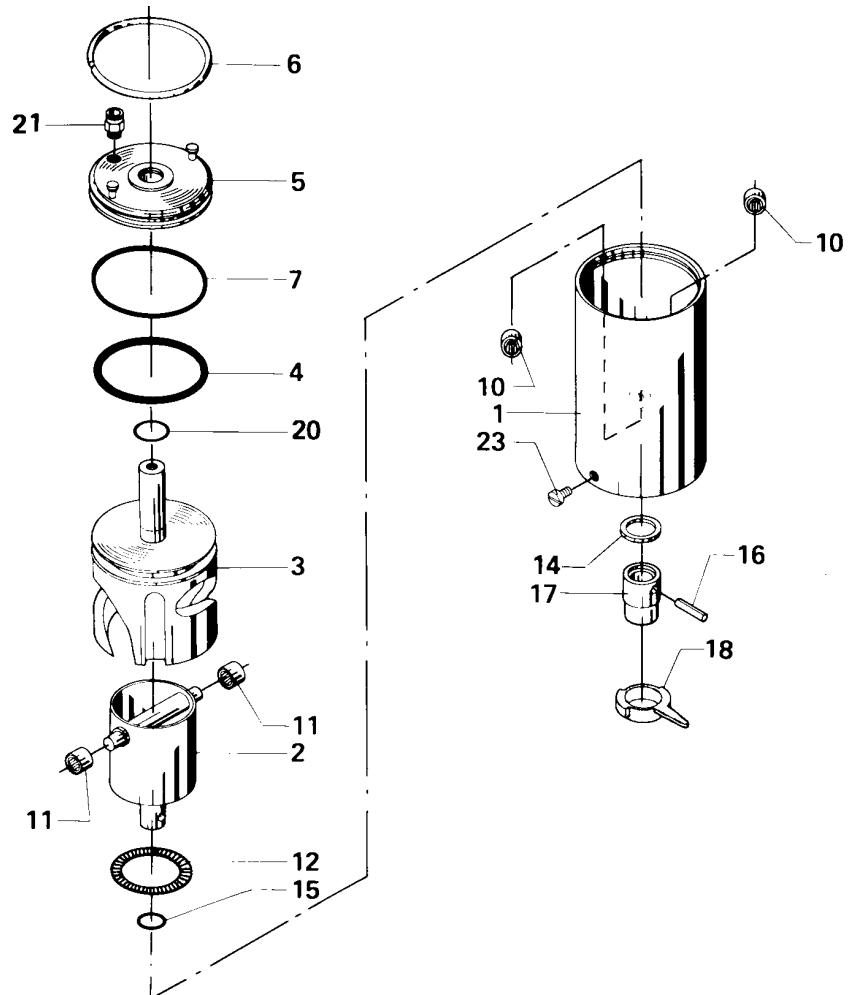


Actuator Air/Spring
Type LKLA-T (NC-NO) ø85



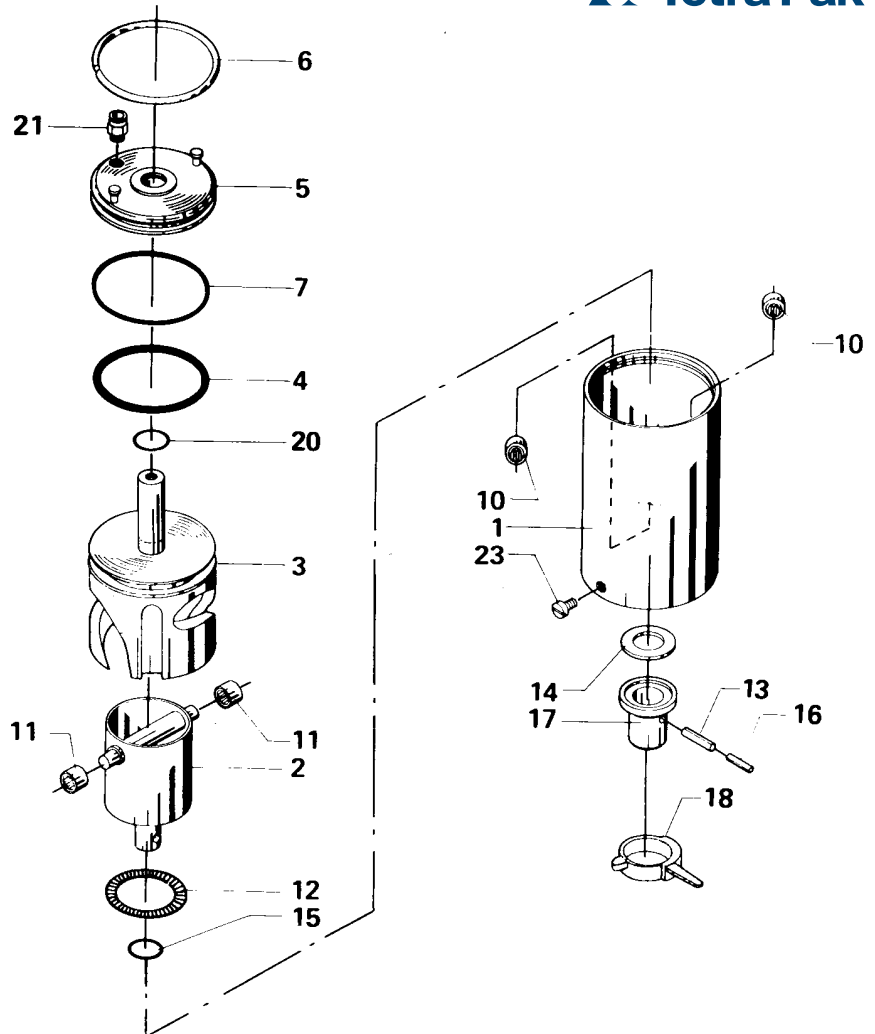
Pos.	Qty.	Denomination Disc connection	NC	NC	NC	NO	NO	NO
			9612-1940-02 25-63.5 mm NW 25-50 <input type="checkbox"/> 8	9612-1940-03 76 mm NW 65-80 <input type="checkbox"/> 10	9612-1940-07 101.6 mm NW 100 <input type="checkbox"/> 12	9612-1940-05 25-63.5 mm NW 25-50 <input type="checkbox"/> 8	9612-1940-06 76 mm NW 65-80 <input type="checkbox"/> 10	9612-1940-08 101.6 mm NW 100 <input type="checkbox"/> 12
1	1	Air cylinder	9611-41-758-0	9611-41-758-0	9611-41-758-0	9611-41-758-0	9611-41-758-0	9611-41-758-0
2	1	Rotating cylinder	9611-41-638-0	9611-41-638-0	9611-41-638-0	9611-41-638-0	9611-41-638-0	9611-41-638-0
3	1	Piston	9612-1939-02	9612-1939-02	9612-1939-02	9612-1939-01	9612-1939-01	9612-1939-01
4 Δ	1	O-ring, NBR	9611-99-0052	9611-99-0052	9611-99-0052	9611-99-0052	9611-99-0052	9611-99-0052
5	1	End cap	9612-1936-01	9612-1936-01	9612-1936-01	9612-1936-01	9612-1936-01	9612-1936-01
6	1	Retaining ring	9611-40-202-1	9611-40-202-1	9611-40-202-1	9611-40-202-1	9611-40-202-1	9611-40-202-1
7 Δ	1	O-ring, NBR	9611-99-0396	9611-99-0396	9611-99-0396	9611-99-0396	9611-99-0396	9611-99-0396
8	1	Inner spring	9611-99-1629	9611-99-1629	9611-99-1629	9611-99-1629	9611-99-1629	9611-99-1629
9	1	Outer spring	9611-99-1631	9611-99-1631	9611-99-1631	9611-99-1631	9611-99-1631	9611-99-1631
10Δ	2	Needle bearing	9611-99-1230	9611-99-1230	9611-99-1230	9611-99-1230	9611-99-1230	9611-99-1230
11Δ	2	Needle bearing	9611-99-1231	9611-99-1231	9611-99-1231	9611-99-1231	9611-99-1231	9611-99-1231
12Δ	2	Thrust bearing	9611-99-1236	9611-99-1236	9611-99-1236	9611-99-1236	9611-99-1236	9611-99-1236
14	1	Thrust plate	9611-41-646-0	9611-41-646-0	9611-41-646-0	9611-41-646-0	9611-41-646-0	9611-41-646-0
15Δ	1	O-ring, NBR	9611-99-1233	9611-99-1233	9611-99-1233	9611-99-1233	9611-99-1233	9611-99-1233
16	1	Connex pin	9611-99-1235	9611-99-1235	9611-99-1235	9611-99-1235	9611-99-1235	9611-99-1235
17	1	Coupling	9611-41-644-0	9611-41-645-0	9612-0447-03	9611-41-644-0	9611-41-645-0	9612-0447-03
18	1	Activating ring	9611-41-669-0	9611-41-669-0	9611-41-669-0	9611-41-669-0	9611-41-669-0	9611-41-669-0
19	1	Water rejector	9611-41-775-0	9611-41-775-0	9611-41-775-0	9611-41-775-0	9611-41-775-0	9611-41-775-0
20Δ	1	O-ring, NBR	223404-21	223404-21	223404-21	223404-21	223404-21	223404-21
21	1	Air fitting	9611-99-2323	9611-99-2323	9611-99-2323	9611-99-2323	9611-99-2323	9611-99-2323
Δ		Service kit	9611-92-3021	9611-92-3021	9611-92-3021	9611-92-3021	9611-92-3021	9611-92-3021

**Actuator Air/Air
Type LKLA-T ø85**



Pos.	Qty.	Denomination Disc connection	9612-1941-02	9612-1941-03	9612-1941-04
			25-63.5 mm NW 25-50	76 mm NW 65-80	101.6 mm NW 100
			<input type="checkbox"/> 8	<input type="checkbox"/> 10	<input type="checkbox"/> 12
1	1	Air cylinder	9611-41-758-0	9611-41-758-0	9611-41-758-0
2	1	Rotating cylinder	9611-41-744-1	9611-41-744-1	9611-41-744-1
3	1	Piston	9612-1939-03	9612-1939-03	9612-1939-03
4 Δ	1	O-ring, NBR	9611-99-0052	9611-99-0052	9611-99-0052
5	1	End cap	9612-1936-01	9612-1936-01	9612-1936-01
6	1	Retaining ring	9611-40-202-1	9611-40-202-1	9611-40-202-1
7 Δ	1	O-ring, NBR	9611-99-0396	9611-99-0396	9611-99-0396
10Δ	2	Needle bearing	9611-99-1230	9611-99-1230	9611-99-1230
11Δ	2	Needle bearing	9611-99-1231	9611-99-1231	9611-99-1231
12Δ	1	Thrust bearing	9611-99-1236	9611-99-1236	9611-99-1236
14	1	Thrust plate	9611-41-757-0	9611-41-757-0	9611-41-757-0
15Δ	1	O-ring, NBR	9611-99-1233	9611-99-1233	9611-99-1233
16	1	Connex pin	9611-99-1235	9611-99-1235	9611-99-1235
17	1	Coupling	9611-41-755-1	9611-41-756-1	9612-0448-02
18	1	Activating ring with screw	9611-41-669-0	9611-41-669-0	9611-41-669-0
20Δ	1	O-ring, NBR	223404-21	223404-21	223404-21
21	1	Air fitting	9611-99-2323	9611-99-2323	9611-99-2323
23	1	Threaded plug	9611-99-1221	9611-99-1221	9611-99-1221
Δ		Service kit	9611-92-3023	9611-92-3023	9611-92-3023

Actuator Air/Spring
Type LKLA-T NW125-150 ø85



Pos.	Qty.	Disc connection Denomination	9612-1942-02		9612-1942-01	
			□ 14 NW 125	□ 15 NW 150	□ 14 NW 125	□ 15 NW 150
1	1	Air cylinder	9611-41-742-0	9611-41-742-0	9611-41-742-0	9611-41-742-0
2	1	Rotating cylinder.....	9611-41-744-0	9611-41-744-0	9611-41-744-0	9611-41-744-0
3	1	Piston	9612-1939-03	9612-1939-03	9612-1939-03	9612-1939-03
4 Δ	1	O-ring, NBR	9611-99-0052	9611-99-0052	9611-99-0052	9611-99-0052
5	1	End cap	9612-1936-01	9612-1936-01	9612-1936-01	9612-1936-01
6	1	Retaining ring.....	9611-40-202-1	9611-40-202-1	9611-40-202-1	9611-40-202-1
7 Δ	1	O-ring, NBR	9611-99-0396	9611-99-0396	9611-99-0396	9611-99-0396
10Δ	2	Needle bearing	9611-99-1230	9611-99-1230	9611-99-1230	9611-99-1230
11Δ	2	Needle bearing	9611-99-1231	9611-99-1231	9611-99-1231	9611-99-1231
12Δ	1	Thrust bearing	9611-99-1236	9611-99-1236	9611-99-1236	9611-99-1236
13	1	Connex pin	9611-99-1314	9611-99-1314	9611-99-1314	9611-99-1314
14	1	Thrust plate	9611-41-754-0	9611-41-754-0	9611-41-754-0	9611-41-754-0
15Δ	1	O-ring, NBR	9611-99-0030	9611-99-0030	9611-99-0030	9611-99-0030
16	1	Connex pin	9611-99-1313	9611-99-1313	9611-99-1313	9611-99-1313
17	1	Coupling	9612-2856-02	9611-41-747-1	9612-2856-02	9611-41-747-1
18	1	Activating ring with screw.....	9611-41-665-0	9611-41-665-0	9611-41-665-0	9611-41-665-0
20Δ	1	O-ring, NBR	223404-21	223404-21	223404-21	223404-21
21	1	Air fitting	9611-99-2323	9611-99-2323	9611-99-2323	9611-99-2323
23	1	Threaded plug.....	9611-99-1221	9611-99-1221	9611-99-1221	9611-99-1221
Δ		Service kit	9611-92-3024	9611-92-3024	9611-92-3024	9611-92-3024

Parts marked with Δ are included in the service kit.