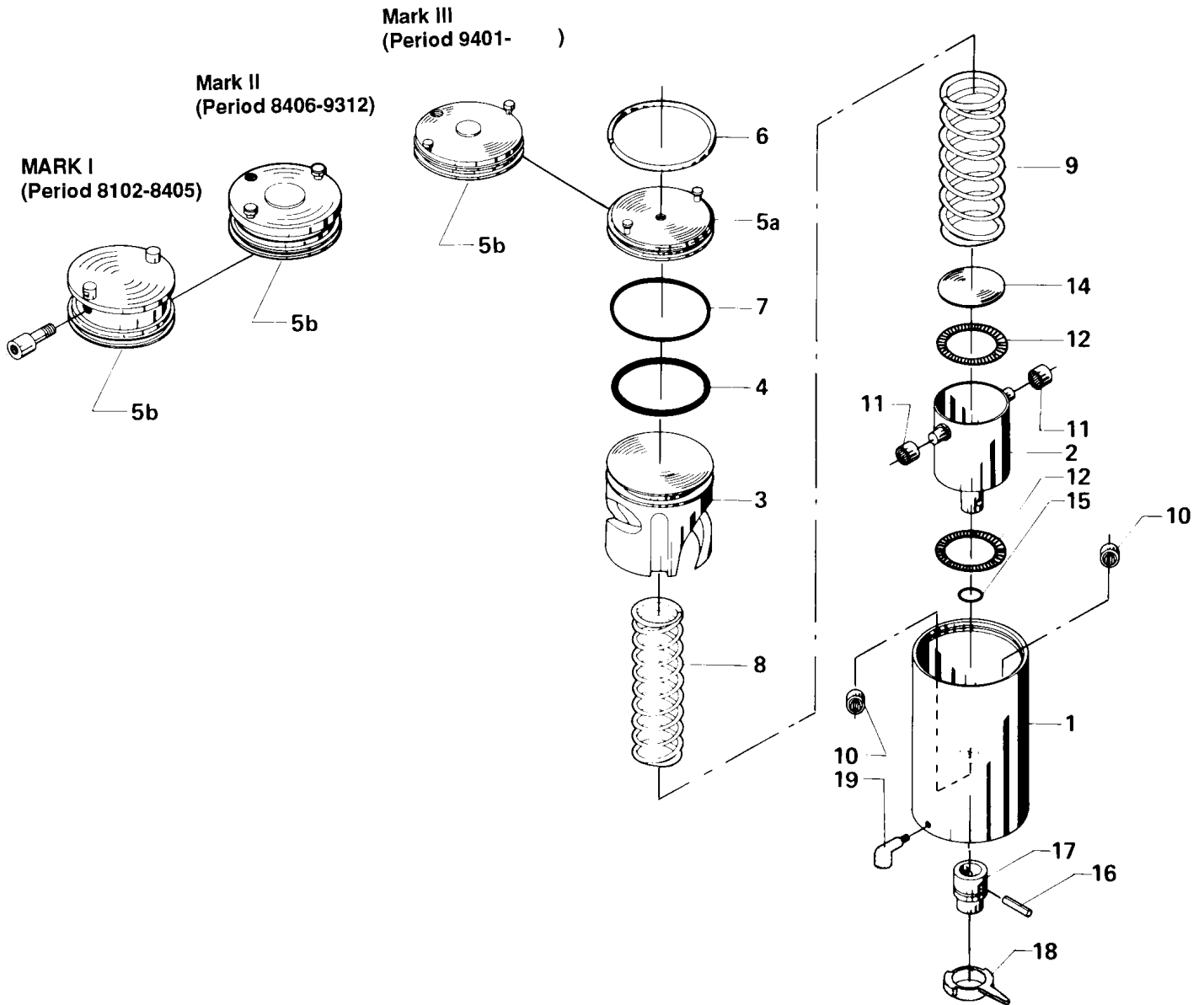


Actuator Air/Spring  
Type LKLA (NC-NO) ø85



FREEFAX:

0800 801404



Actuator Air/Spring  
Type LKLA (NC-NO) ø85



Pos.	Qty.	Denomination Disc connection	NC	NC	NC	NO	NO	NO
			9611-41-630-1 25-63.5 mm NW 25-50 <input type="checkbox"/> 8	9611-41-630-2 76 mm NW 65-80 <input type="checkbox"/> 10	9611-41-630-6 101.6 mm NW 100 <input type="checkbox"/> 12	9611-41-630-4 25-63.5 mm NW 25-50 <input type="checkbox"/> 8	9611-41-630-5 76 mm NW 65-80 <input type="checkbox"/> 10	9611-41-630-7 101.6 mm NW 100 <input type="checkbox"/> 12
1	1	Air cylinder .....	9611-41-758-0	9611-41-758-0	9611-41-758-0	9611-41-758-0	9611-41-758-0	9611-41-758-0
2	1	Rotating cylinder .....	9611-41-638-0	9611-41-638-0	9611-41-638-0	9611-41-638-0	9611-41-638-0	9611-41-638-0
3	1	Piston .....	9611-41-631-0	9611-41-631-0	9611-41-631-0	9611-41-741-0	9611-41-741-0	9611-41-741-0
4 Δ	1	O-ring, NBR .....	9611-99-0052	9611-99-0052	9611-99-0052	9611-99-0052	9611-99-0052	9611-99-0052
5a	1	End cap** .....	31357-0740-1	31357-0740-1	31357-0740-1	31357-0740-1	31357-0740-1	31357-0740-1
		(Period 8911-)						
	1	End cap .....	9611-41-633-0	9611-41-633-0	9611-41-633-0	9611-41-633-0	9611-41-633-0	9611-41-633-0
		(Period 8301-8911)						
6	1	Retaining ring .....	9611-40-2021	9611-40-2021	9611-40-2021	9611-40-2021	9611-40-2021	9611-40-2021
7 Δ	1	O-ring, NBR .....	9611-99-0396	9611-99-0396	9611-99-0396	9611-99-0396	9611-99-0396	9611-99-0396
8	1	Inner spring .....	9611-99-1629	9611-99-1629	9611-99-1629	9611-99-1629	9611-99-1629	9611-99-1629
9	1	Outer spring .....	9611-99-1631	9611-99-1631	9611-99-1631	9611-99-1631	9611-99-1631	9611-99-1631
10Δ	2	Needle bearing .....	9611-99-1230	9611-99-1230	9611-99-1230	9611-99-1230	9611-99-1230	9611-99-1230
11Δ	2	Needle bearing .....	9611-99-1231	9611-99-1231	9611-99-1231	9611-99-1231	9611-99-1231	9611-99-1231
12Δ	2	Thrust bearing .....	9611-99-1236	9611-99-1236	9611-99-1236	9611-99-1236	9611-99-1236	9611-99-1236
14	1	Thrust plate .....	9611-41-646-0	9611-41-646-0	9611-41-646-0	9611-41-646-0	9611-41-646-0	9611-41-646-0
15Δ	1	O-ring, NBR .....	9611-99-1233	9611-99-1233	9611-99-1233	9611-99-1233	9611-99-1233	9611-99-1233
16	1	Connex pin .....	9611-99-1235	9611-99-1235	9611-99-1235	9611-99-1235	9611-99-1235	9611-99-1235
17	1	Coupling .....	9611-41-644-0	9611-41-645-0	9612-0447-03	9611-41-644-0	9611-41-645-0	9612-0447-03
18	1	Activating ring, Noryl with screw .....	9611-41-669-0	9611-41-669-0	9611-41-669-0	9611-41-669-0	9611-41-669-0	9611-41-669-0
19	1	Water rejector .....	9611-41-775-0	9611-41-775-0	9611-41-775-0	9611-41-775-0	9611-41-775-0	9611-41-775-0
		(Period 8310-)						
Δ		<b>Service kit .....</b>	<b>9611-92-3010</b>	<b>9611-92-3010</b>	<b>9611-92-3010</b>	<b>9611-92-3010</b>	<b>9611-92-3010</b>	<b>9611-92-3010</b>

Parts marked with Δ are included in the service kit.

\*\* End cap for MAG TOP and LKT-S/N (standard now)

NC/NO for Alltop

Pos.	Qty.	Denomination Disc connection	NC	NC	NC	NO	NO	NO
			9611-41-678-1 25-63.5 mm NW 25-50 <input type="checkbox"/> 8	9611-41-678-2 76 mm NW 65-80 <input type="checkbox"/> 10	9611-41-678-6 101.6 mm NW 100 <input type="checkbox"/> 12	9611-41-678-4 25-63.5 mm NW 25-50 <input type="checkbox"/> 8	9611-41-678-5 76 mm NW 65-80 <input type="checkbox"/> 10	9611-41-678-7 101.6 mm NW 100 <input type="checkbox"/> 12
5b	1	1 End cap, Mark III .....	9611-41-674-0	9611-41-674-0	9611-41-674-0	9611-41-674-0	9611-41-674-0	9611-41-674-0
		(Period 9401- )						
	1	2 End cap, Mark II .....	9611-41-674-0	9611-41-674-0	9611-41-674-0	9611-41-674-0	9611-41-674-0	9611-41-674-0
		(Period 8406-9312)						
	1	3 End cap, Mark I .....	9611-41-674-0	9611-41-674-0	9611-41-674-0	9611-41-674-0	9611-41-674-0	9611-41-674-0
		(Period 8102-8405)						

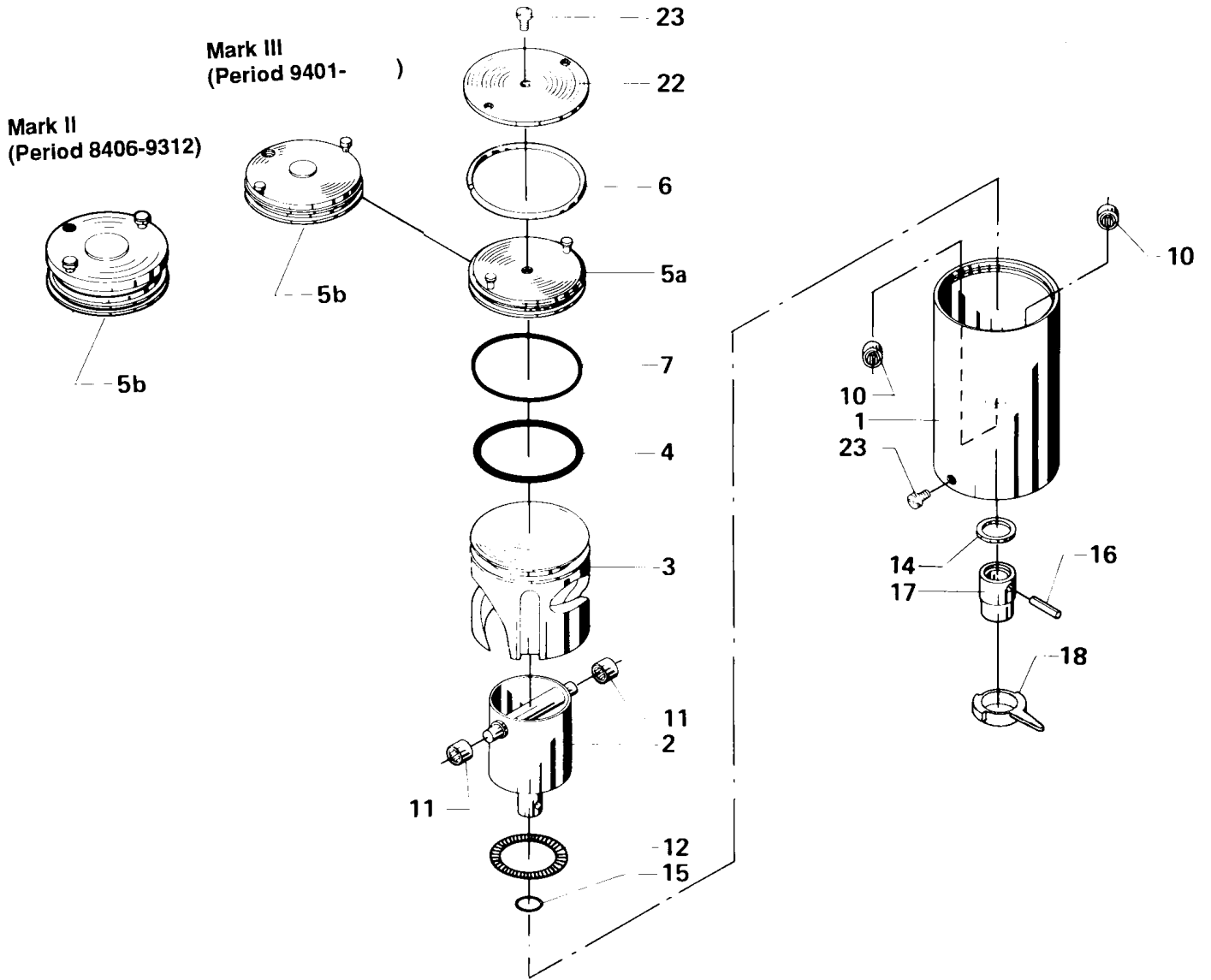
All other parts as above.

Note:

Butterfly valve 101.6 mm / NW100 sold before 8906 =  10 mm  
 Butterfly valve NW 65 (ISO) sold before 8910 =  8 mm  
 Please check the square size of the disc when ordering spares.

Recommended spare parts: **Service kit.**

Actuator Air/Air  
Type LKLA ø85



**Actuator Air/Spring  
Type LKLA ø85**



Pos.	Qty.	Denomination Disc connection	9611-41-749-1	9611-41-749-2	9611-41-749-3
			25-63.5 mm NW 25-50	76 mm NW 65-80	101.6 mm NW 100
			<input type="checkbox"/> 8	<input type="checkbox"/> 10	<input type="checkbox"/> 12
1	1	Air Cylinder .....	9611-41-758-0	9611-41-758-0	9611-41-758-0
2	1	Rotating cylinder.....	9611-41-744-1	9611-41-744-1	9611-41-744-1
3	1	Piston.....	9611-41-752-0	9611-41-752-0	9611-41-752-0
4 Δ	1	O-ring, NBR .....	9611-99-0052	9611-99-0052	9611-99-0052
5a	1	End cap** .....	31357-0740-1	31357-0740-1	31357-0740-1
		(Period 8911-)			
	1	End cap .....	9611-41-633-0	9611-41-633-0	9611-41-633-0
		(Period 8301-8910)			
6	1	Retaining ring.....	9611-40-2021	9611-40-2021	9611-40-2021
7 Δ	1	O-ring, NBR .....	9611-99-0396	9611-99-0396	9611-99-0396
10Δ	2	Needle bearing .....	9611-99-1230	9611-99-1230	9611-99-1230
11Δ	2	Needle bearing .....	9611-99-1231	9611-99-1231	9611-99-1231
12Δ	1	Thrust bearing .....	9611-99-1236	9611-99-1236	9611-99-1236
14	1	Thrust plate .....	9611-41-757-0	9611-41-757-0	9611-41-757-0
15Δ	1	O-ring, NBR .....	9611-99-1233	9611-99-1233	9611-99-1233
16	1	Connex pin .....	9611-99-1235	9611-99-1235	9611-99-1235
17	1	Coupling .....	9611-41-755-1	9611-41-756-1	9612-0448-02
18	1	Activating ring .....	9611-41-669-0	9611-41-669-0	9611-41-669-0
		with screw			
22***	1	Retaining plate.....	9611-41-437-0	9611-41-437-0	9611-41-437-0
23	2	Threaded plug.....	9611-99-1221	9611-99-1221	9611-99-1221
Δ		<b>Service kit .....</b>	<b>9611-92-3011</b>	<b>9611-92-3011</b>	<b>9611-92-3011</b>

Parts marked with Δ are included in the **service kit**.

\*\* End cap for MAG TOP and LKT-S/N (standard now)

\*\*\* Up to 8910 supplied without holes, not available anymore

**Air/Air for Altop**

Pos.	Qty.	Denomination Disc connection	9612-0812-02	9612-0812-03	9612-0812-04
			25-63.5 mm NW 25-50	76 mm NW 65-80	101.6 mm NW 100
			<input type="checkbox"/> 8	<input type="checkbox"/> 10	<input type="checkbox"/> 12
5b	1	End cap, Mark III.....	9611-41-674-0	9611-41-674-0	9611-41-674-0
		(Period 9401-)			
	1	End cap, Mark II.....	9611-41-858-1	9611-41-858-1	9611-41-858-1
		with fixation screw			
		(Period -9312)			

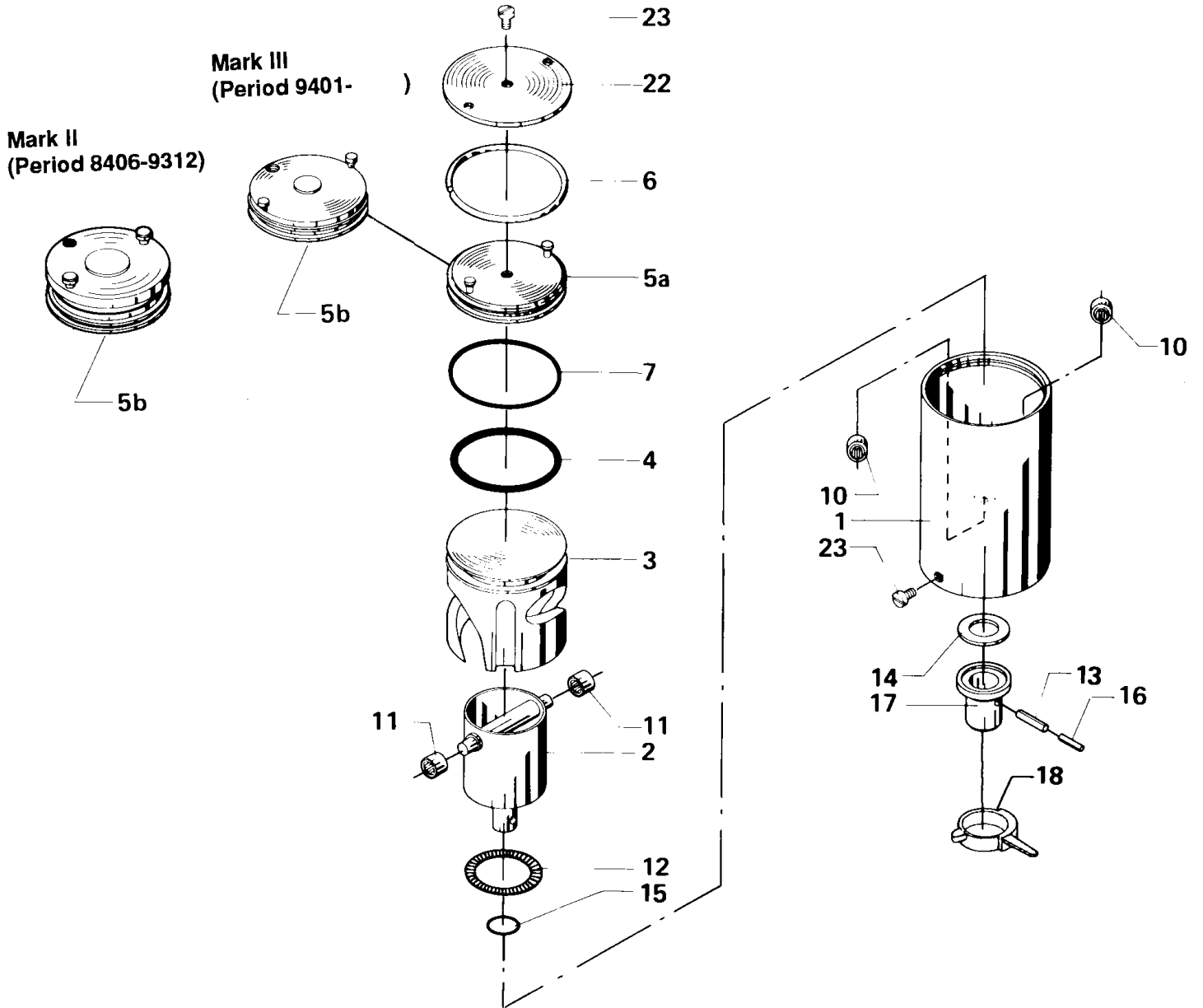
All other parts as above.

**Note:**

Butterfly valve 101.6 mm / NW100 sold before 8906 =  10 mm  
 Butterfly valve NW 65 (ISO) sold before 8910 =  8 mm  
 Please check the square size of the disc when ordering spares.

Recommended spare parts: **Service kit**.

Actuator Air/Air  
Type LKLA NW125-150 ø85



**Actuator Air/Air  
Type LKLA NW125-150 ø85**



Pos.	Qty.	Disc connection Denomination	9611-41-750-2	9611-41-750-0
			<input type="checkbox"/> 14 NW 125	<input type="checkbox"/> 15 NW 150
1	1	Air Cylinder .....	9611-41-742-0	9611-41-742-0
2	1	Rotating cylinder .....	9611-41-744-0	9611-41-744-0
3	1	Piston .....	9611-41-752-0	9611-41-752-0
4 Δ	1	O-ring, NBR .....	9611-99-0052	9611-99-0052
5a	1	End cap** .....	31357-0740-1	31357-0740-1
	1	(Period 8911-) End cap .....	9611-41-633-0	9611-41-633-0
		(Period 8301-8910)		
6	1	Retaining ring .....	9611-40-202-1	9611-40-202-1
7 Δ	1	O-ring, NBR .....	9611-99-0396	9611-99-0396
10Δ	2	Needle bearing .....	9611-99-1230	9611-99-1230
11Δ	2	Needle bearing .....	9611-99-1231	9611-99-1231
12Δ	1	Thrust bearing .....	9611-99-1236	9611-99-1236
13	1	Connex pin .....	9611-99-1314	9611-99-1314
14	1	Thrust plate .....	9611-41-754-0	9611-41-754-0
15Δ	1	O-ring, NBR .....	9611-99-0030	9611-99-0030
16	1	Connex pin .....	9611-99-1313	9611-99-1313
17	1	Coupling .....	9612-2856-02	9611-41-747-1
18	1	Activating ring .....	9611-41-665-0	9611-41-665-0
		with screw		
22***	1	Retaining plate .....	9611-41-437-0	9611-41-437-0
23	2	Threaded plug .....	9611-99-1221	9611-99-1221
Δ		<b>Service kit .....</b>	<b>9611-92-3012</b>	<b>9611-92-3012</b>

Parts marked with Δ are included in the **service kit**.

**\*\* End cap for MAG TOP and LKT-S/N (standard now)**

**\*\*\* Up to 8910 supplied without holes, not available anymore**

**Air/Air for Altop**

Pos.	Qty.	Disc connection Denomination	<input type="checkbox"/> 14	<input type="checkbox"/> 15
			9612-0813-02	9612-0813-01
5b	1	End cap, Mark III .....	9612-41-674-0	9612-41-674-0
		(Period 9401-)		
	1	End cap, MarkII .....	9611-41-858-1	9611-41-858-1
		with fixation screw (Period -9312)		

All other parts as above.