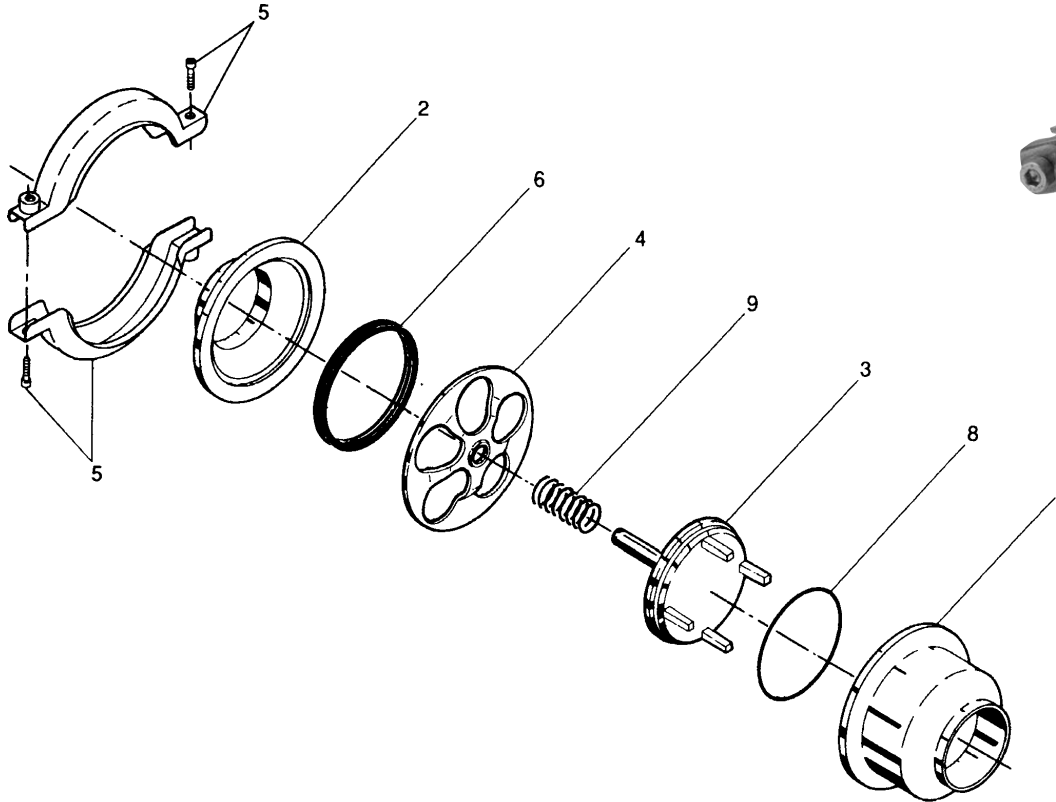


**Non-Return Valve
Type LKC-2**



ISO for welding - AISI 316

Pos.	Qty.	Denomination	9612-2200-07 25 mm	9612-2200-08 38 mm	9611-2200-09 51 mm	9612-2200-10 63.5 mm	9612-2200-11 76 mm	9612-2200-12 101.6 mm
1	1	Valve body	9612-2202-07	9612-2202-08	9612-2202-09	9612-2202-10	9612-2202-11	9612-2202-12
2	1	Welding liner	9612-2201-07	9612-2201-08	9612-2201-09	9612-2201-10	9612-2201-11	9612-2201-12
3	1	Valve cone	9612-2207-01	9612-2207-02	9612-2207-03	9612-2207-04	9612-2207-05	9612-2207-06
4	1	Guide plate	9612-2208-01	9612-2208-02	9612-2208-03	9612-2208-04	9612-2208-05	9612-2208-06
5	1	Clamp ring	9611-31-105-2	9611-31-105-3	9611-31-105-4	9611-31-105-5	9611-31-105-6	9611-31-105-7
6Δ	1	Seal ring, EPDM	9611-25-315-0	9611-25-315-1	9611-25-315-2	9611-25-315-3	9611-25-315-4	9611-25-315-6
	1	Seal ring, NBR	9611-25-381-0	9611-25-381-1	9611-25-381-2	9611-25-381-3	9611-25-381-4	9611-25-381-6
	1	Seal ring, FPM	9611-25-382-0	9611-25-382-1	9611-25-382-2	9611-25-382-3	9611-25-382-4	9611-25-382-6
8Δ	1	O-ring, EPDM	9611-99-0063	9611-99-0015	9611-99-0064	9611-99-0065	9611-99-0066	9611-99-0067
	1	O-ring, NBR	9611-99-1410	9611-99-1411	9611-99-1412	9611-99-1413	9611-99-1414	9611-99-1415
	1	O-ring, FPM	9611-99-1417	9611-99-1418	9611-99-1419	9611-99-1420	9611-99-1421	9611-99-1422
9	1	Spring	9611-99-1677	9611-99-1678	9611-99-1679	9611-99-1680	9611-99-1681	9611-99-2031

DIN for welding - AISI 316

Pos.	Qty.	Denomination	9612-2200-47 NW 25	9612-2200-48 NW 32	9612-2200-49 NW 40	9612-2200-50 NW 50	9612-2200-51 NW 65	9612-2200-52 NW 80	9612-2200-53 NW 100
1	1	Valve body	9612-2214-08	9612-2214-09	9612-2214-10	9612-2214-11	9612-2214-12	9612-2214-13	9612-2214-14
2	1	Welding liner	9612-2215-08	9612-2215-09	9612-2215-10	9612-2215-11	9612-2215-12	9612-2215-13	9612-2215-14
3	1	Valve cone	9612-2207-01	9612-2207-02	9612-2207-02	9612-2207-03	9612-2207-04	9612-2207-05	9612-2207-06
4	1	Guide plate	9612-2208-01	9612-2208-02	9612-2208-02	9612-2208-03	9612-2208-04	9612-2208-05	9612-2208-06
5	1	Clamp ring	9611-31-105-2	9611-31-105-3	9611-31-105-3	9611-31-105-4	9611-31-105-5	9611-31-105-6	9611-31-105-7
6Δ	1	Seal ring, EPDM	9611-25-315-0	9611-25-315-1	9611-25-315-1	9611-25-315-2	9611-25-315-3	9611-25-315-4	9611-25-315-6
	1	Seal ring, NBR	9611-25-381-0	9611-25-381-1	9611-25-381-1	9611-25-381-2	9611-25-381-3	9611-25-381-4	9611-25-381-6
	1	Seal ring, FPM	9611-25-382-0	9611-25-382-1	9611-25-382-1	9611-25-382-2	9611-25-382-3	9611-25-382-4	9611-25-382-6
8Δ	1	O-ring, EPDM	9611-99-0063	9611-99-0015	9611-99-0015	9611-99-0064	9611-99-0065	9611-99-0066	9611-99-0067
	1	O-ring, NBR	9611-99-1410	9611-99-1411	9611-99-1411	9611-99-1412	9611-99-1413	9611-99-1414	9611-99-1415
	1	O-ring, FPM	9611-99-1417	9611-99-1418	9611-99-1418	9611-99-1419	9611-99-1420	9611-99-1421	9611-99-1422
9	1	Spring	9611-99-1677	9611-99-1678	9611-99-1678	9611-99-1679	9611-99-1680	9611-99-1681	9611-99-2031