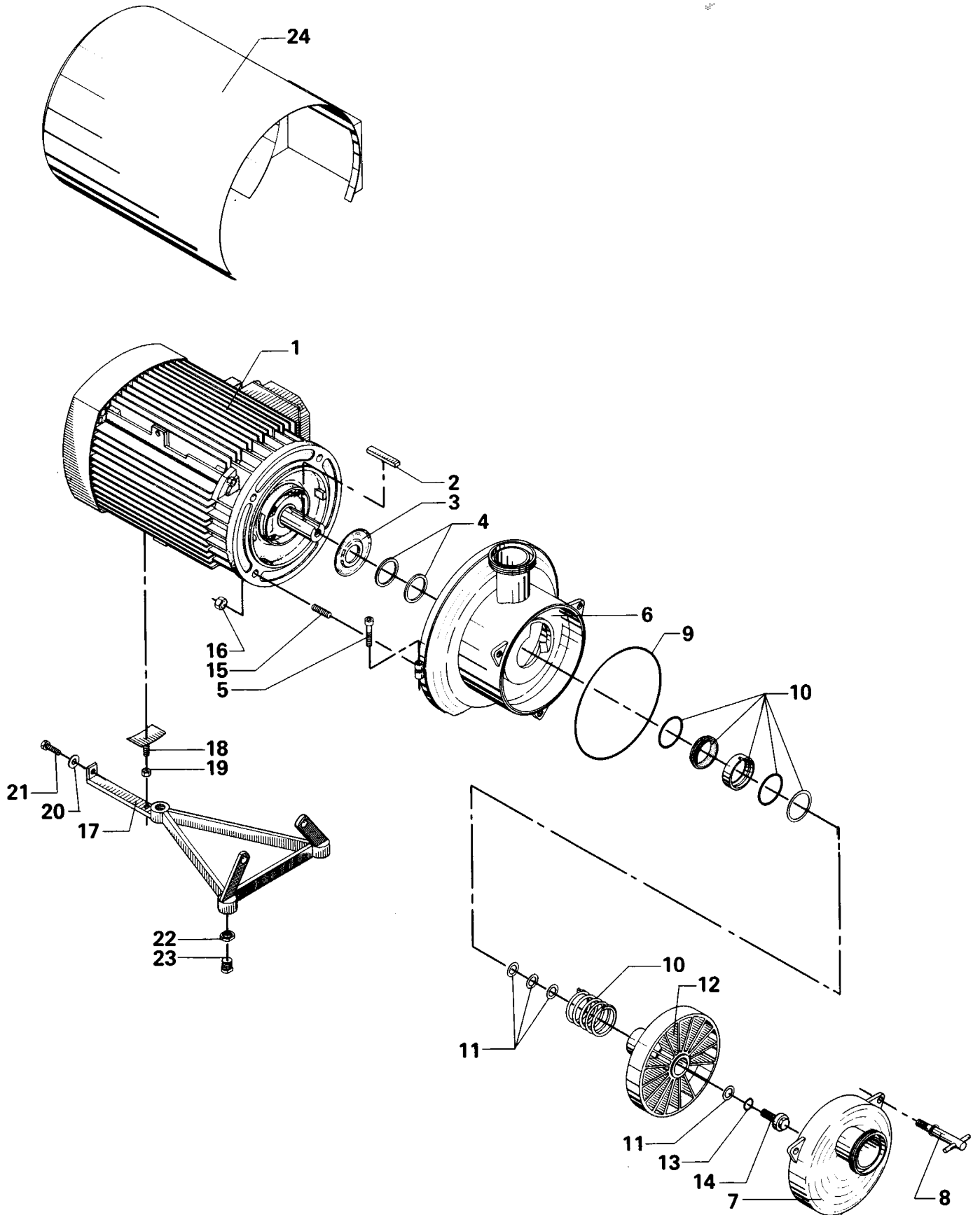


Pump MR 260 A

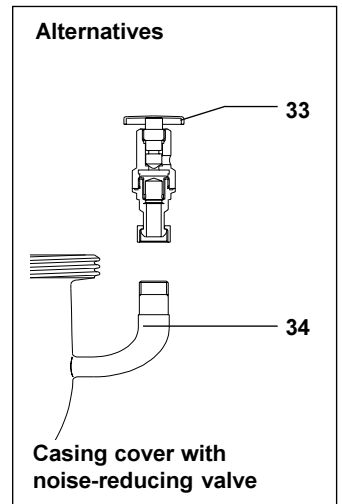
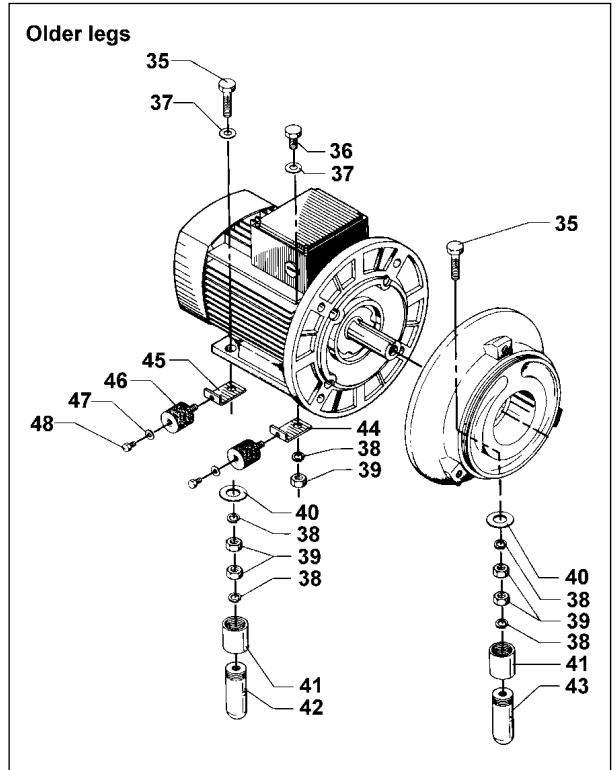
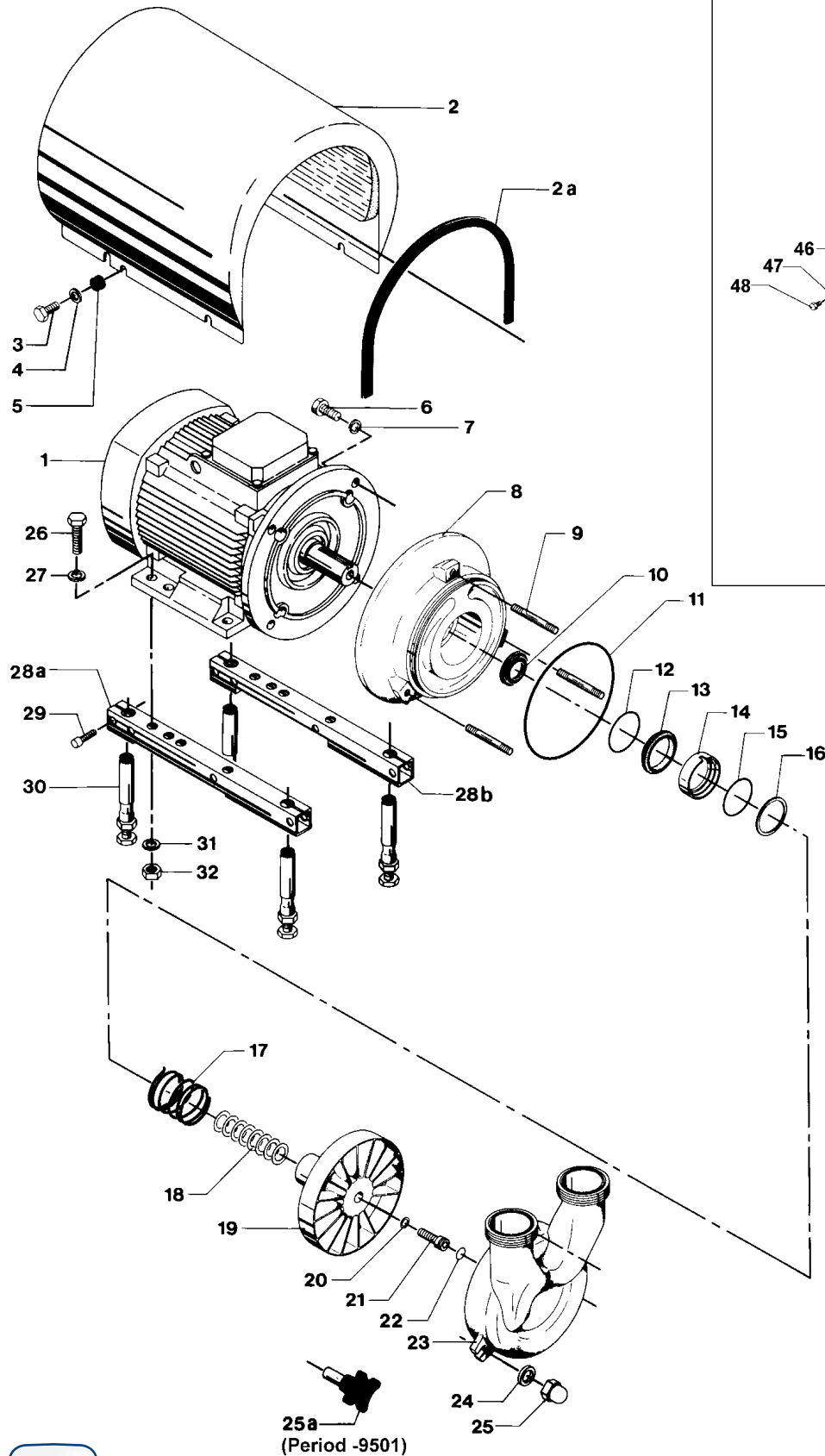


Pump MR 260 A



Pos.	Qty.	Denomination	15 kW	18.5 kW
1	1	Motor 220/380 V .....	31801-2558-1	31801-2559-1
	1	Motor 380/660 V .....	31801-2558-3	31801-2559-3
	1	Motor 415 V .....	31801-2558-2	31801-2559-2
2	1	Key .....	31438-0324-1	31438-0324-2
3	1	Thrower .....	31438-0315-1	31438-0315-2
4	1	Packing set of 3 pieces .....	31438-0318-1	31438-0319-1
5	1	Allen screw .....	9611-99-1222	9611-99-1222
6	1	Pump casing, 76.2 mm outlet + fittings		
		ISO male .....	31438-0313-1	31438-0313-1
		SMS .....	31438-0313-2	31438-0313-2
		DIN .....	31438-0313-3	31438-0313-3
		ISO clamp .....	31438-0313-4	31438-0313-4
		BS .....	31438-0313-5	31438-0313-5
7	1	Cover, 76.2 mm inlet + fittings		
		ISO male .....	31438-0314-1	31438-0314-1
		SMS .....	31438-0314-2	31438-0314-2
		DIN .....	31438-0314-3	31438-0314-3
		ISO clamp .....	31438-0314-4	31438-0314-4
8	3	BS .....	31438-0314-5	31438-0314-5
		Clamp screw .....	31438-0320-1	31438-0320-1
		O-ring for cover .....	9611-99-1376	9611-99-1376
10	1	Shaft seal, complete		
		EPDM, standard .....	31438-0300-1	31438-0300-1
		NBR .....	31438-0300-2	31438-0300-2
11	1	FPM .....	31438-0300-3	31438-0300-3
		Shims set of 4 pieces .....	31438-0321-1	31438-0321-1
		Impeller .....	31438-0311-1	31438-0311-2
13	1	O-ring for impeller .....	9611-99-1377	9611-99-1377
14	1	Impeller screw .....	31438-0317-1	31438-0317-1
15	4	Stud .....	9611-99-0782	9611-99-0782
16	4	Nut .....	221803-40	221803-40
<b>Leg</b>				
17	1	Leg bracket .....	31438-0316-1	31438-0316-1
18	1	Motor retainer .....	31438-0327-1	31438-0327-1
19	1	Nut .....	221803-22	221803-22
20	1	Disk .....	223101-61	223101-61
21	1	Screw .....	221041-02	221041-02
22	3	Lock nut .....	31438-0326-1	31438-0326-1
23	3	Support .....	31438-0325-1	31438-0325-1
24	4	Shroud for motor .....	31438-0312-1	31438-0312-1
		Dismounting screw for impeller .....	31438-0331-1	31438-0331-1

Liquid Ring Pump  
Type MR 300



Liquid Ring Pump  
Type MR 300



Pos.	Qty.	Denomination	15 kW	18.5 kW
1	1	Motor, 220/380 V .....	31801-8504-1	31801-8505-1
	1	Motor, 380/660 V .....	31801-8504-2	31801-8505-2
	1	Motor, 415 V .....	31801-8504-3	31801-8505-3
2	1	Shroud (Period 9409-) .....	9612-1390-05	9612-1390-06
	1	Shroud (Period -9409) .....	31438-0347-1	31438-0347-1
2a	1	Edge list (Period 9409-) .....	9612-1338-05	9612-1338-06
	1	Edge list (Period -9409) .....	31460-0111-7	31460-0111-7
3	4	Screw .....	9611-99-1176	221036-03
4	4	Washer .....	9611-99-1831	9611-99-1831
5	4	Distance sleeve .....	31438-0390-2	31438-0390-1
6	4	Screw .....	9611-99-2511	9611-99-2511
7	4	Spring washer .....	9611-99-1886	9611-99-1886
8	1	Pump casing .....	31438-0341-1	31438-0341-1
9	3	Stud bolt (Period 9501-) .....	9611-99-2994	9611-99-2994
	3	Stud bolt (Period -9501) .....	31457-0051-2	31457-0051-2
10	1	Thrower .....	31460-0375-2	31460-0375-1
11Δ	1	O-ring, EPDM (Standard) ....	31438-0366-1	31438-0366-1
	1	O-ring, NBR .....	31438-0366-2	31438-0366-2
	1	O-ring, FPM .....	31438-0366-3	31438-0366-3
18	1-2	Shims, 0.1 mm .....	31460-0012-4	31460-0012-5
	4-5	Shims, 0.5 mm .....	31460-0011-4	31460-0011-5
19	1	Impeller .....	31438-0344-1	31438-0344-2
20	1	Washer for impeller screw ...	9611-99-1746	9611-99-1746
21	1	Impeller screw .....	31438-0345-1	31438-0345-1
22Δ	1	O-ring, EPDM (Standard) ....	31438-0367-1	31438-0367-1
	1	O-ring, NBR .....	31438-0367-2	31438-0367-2
	1	O-ring, FPM .....	31438-0367-3	31438-0367-3
23	1	Cover, 76.2 mm in-/outlet ....	31438-0342-1	31438-0342-1
		+ fitting, ISO male		
		SMS .....	31438-0342-2	31438-0342-2
		DIN .....	31438-0342-3	31438-0342-3
		ISO clamp .....	31438-0342-4	31438-0342-4
		BS .....	31438-0342-5	31438-0342-5
24	3	Washer (Period 9501-) .....	9611-99-0706	9611-99-0706
25	3	Cap nut (Period 9501-) .....	221851-15	221851-15
25a	1	Handle (Period -9501) (Long) .	31438-0343-1	31438-0343-1
	2	Handle (Period -9501) .....	31438-0343-2	31438-0343-2
26	4	Screw (Period 9409-) .....	9611-99-1834	9611-99-1834
27	4	Washer (Period 9409-) .....	9611-99-0706	9611-99-0706
28a	2	Support bar, right(Period 9409-).....	9612-1322-03	9612-1322-04
28b	2	Support bar, left(Period 9409-).....	9612-1323-03	9612-1323-04
29	4	Screw (Period 9711-) .....	9611-99-0273	9611-99-0273
	4	Screw (Period 9409-9711) ...	9611-99-1907	9611-99-1907
30	4	Adjustable leg (Period 9409-) .	9612-3967-01	9612-3967-01
31	4	Spring washer (Period 9409-) .	9611-99-0676	9611-99-0676
32	4	Nut .....	9611-99-0587	9611-99-0587
<b>Older legs</b>				
35	3	Screw (Period -9409) .....	9611-99-0586	9611-99-0586
36	2	Screw (Period -9409) .....	9611-99-1834	9611-99-1834
37	4	Washer (Period -9409) .....	9611-99-0706	9611-99-0706
38	8	Spring washer (Period -9409).....	9611-99-0676	9611-99-0676
39	8	Nut (Period -9409) .....	9611-99-1829	9611-99-1829
40	3	Disk (Period -9409) .....	31460-0110-1	31460-0110-1
41	3	Sleeve nut (Period -9409) ....	31460-0109-1	31460-0109-1
42	2	Back leg (Period -9409) .....	31460-0106-5	31460-0106-5
43	1	Front leg (Period -9409) .....	31460-0106-1	31460-0106-1
44	2	Bracket, front (Period -9409) .	31438-0346-1	31438-0346-1
45	2	Bracket, back (Period -9409) .	31460-0019-1	31460-0019-1
46	4	Vibration damper(Period -9409).....	9611-99-1743	9611-99-1743
47	4	Washer (Period -9409) .....	9611-99-1831	9611-99-1831
48	4	Screw (Period -9409) .....	9611-99-1824	9611-99-1824

Pos.	Qty.	Denomination	15 - 18.5 kW
Δ		Shaft seal complete EPDM (Standard) .....	31438-0300-1
12	1	O-ring EPDM .....	9611-99-2175
13	1	Stationary seal ring .....	31438-0351-1
14	1	Rotating seal ring .....	31438-0350-1
15	1	O-ring EPDM .....	9611-99-2292
16	1	Washer .....	31438-0349-1
17	1	Spring .....	31438-0348-1
Δ		Shaft seal complete NBR .....	31438-0300-2
12	1	O-ring NBR .....	9611-99-2176
13	1	Stationary seal ring .....	31438-0351-1
14	1	Rotating seal ring .....	31438-0350-1
15	1	O-ring NBR .....	42155
16	1	Washer .....	31438-0349-1
17	1	Spring .....	31438-0348-1
Δ		Shaft seal complete FPM .....	31438-0300-3
12	1	O-ring FPM .....	260168-20
13	1	Stationary seal ring .....	31438-0351-1
14	1	Rotating seal ring .....	31438-0350-1
15	1	O-ring FPM .....	9611-99-2293
16	1	Washer .....	31438-0349-1
17	1	Spring .....	31438-0348-1
Δ		<b>Service kit, EPDM. ....</b>	<b>9611-92-1084</b>
Δ		<b>Service kit, NBR. ....</b>	<b>9611-92-1085</b>
Δ		<b>Service kit, FPM. ....</b>	<b>9611-92-1086</b>

Parts marked with Δ are included in the **Service kits**.

**Alternatives**

Casing cover with noise-reducing valve (pos. 33)			
33	1	Noise-reducing valve .....	9612-3641-02
complete with welding male part			
34		ISO male .....	9612-4039-01
		SMS .....	9612-4039-02
		DIN .....	9612-4039-03
		ISO clamp .....	9612-4039-04
		BS .....	9612-4039-05

**Accessories** (Delivered with the pump)

1	Key for hexagonal socket ....	66884
1	Impeller tool .....	31460-0050-1
1	Shaft seal tool .....	31460-0416-1