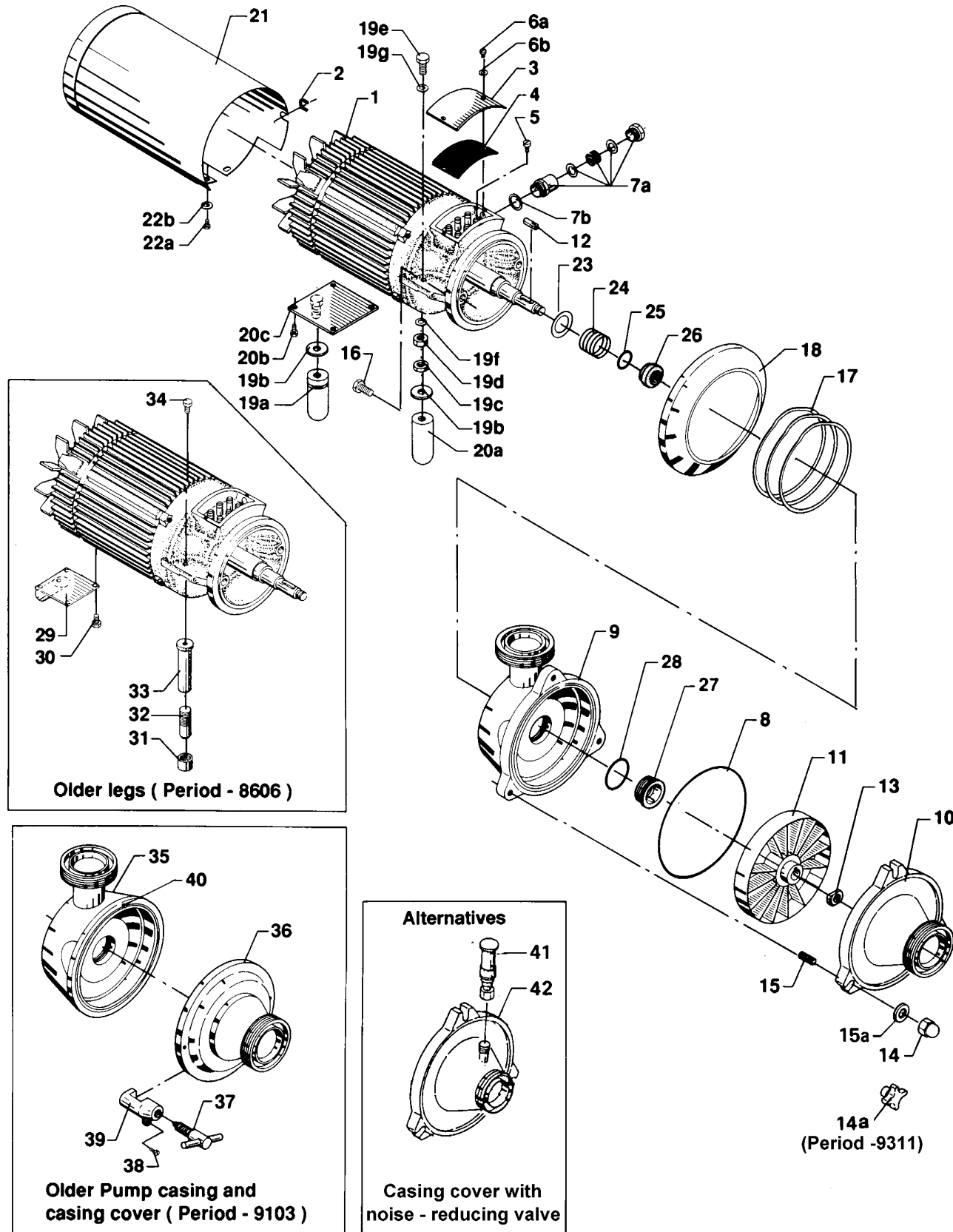


Liquid Ring Pump  
Type MR-185A & MR-200A



DW 222-003

