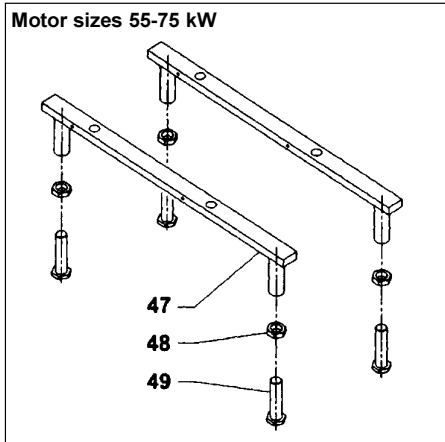
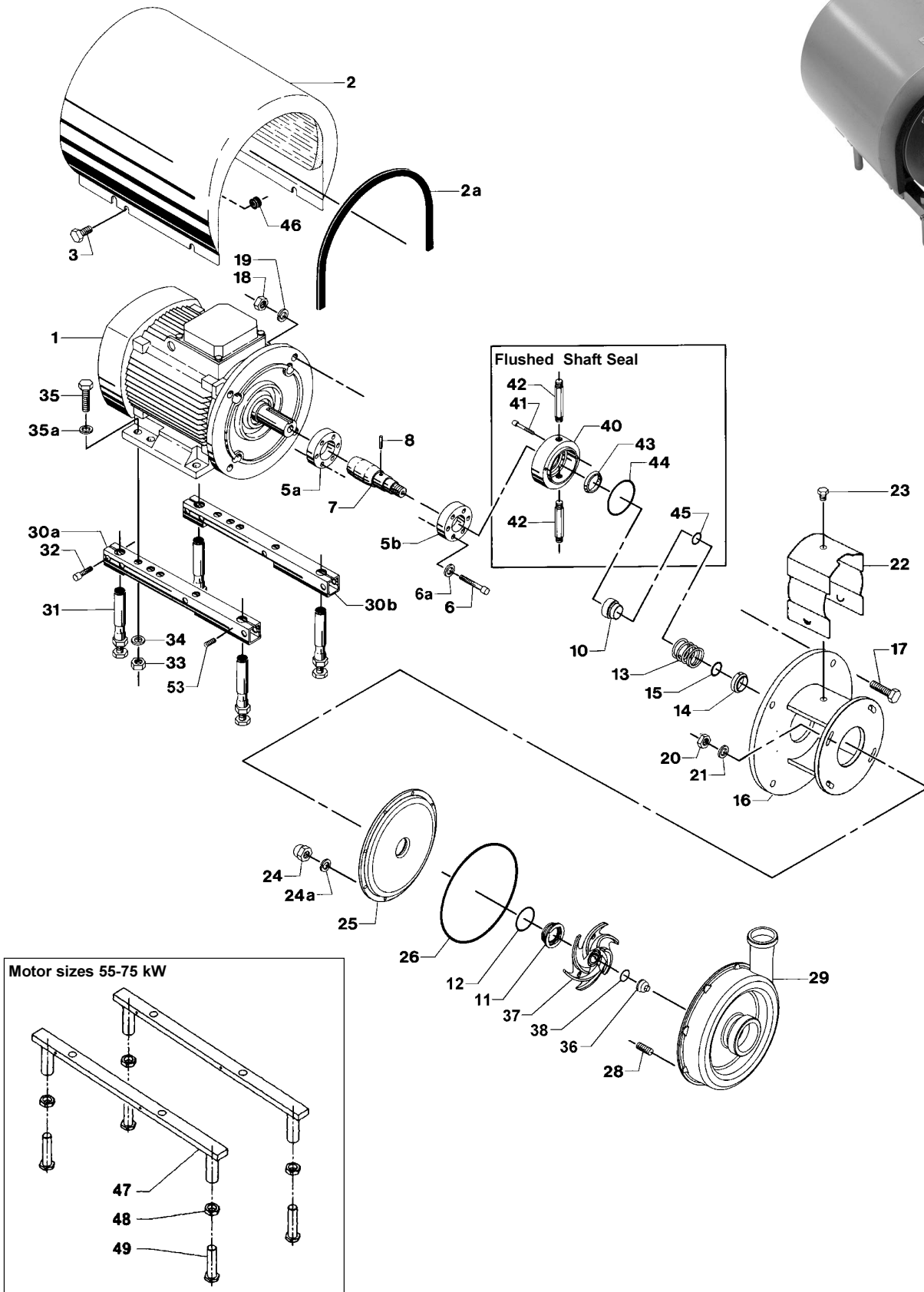


**Centrifugal Pump, Type LKH-70
Single and Flushed Shaft Seal**



Centrifugal Pump, Type LKH-70 Single and Flushed Shaft Seal



Pos.	Qty.	Denomination	11-18.5 kW	22 kW	30-37 kW	45 kW	55-75 kW	Pos.	Qty.	Denomination	11-75 kW
3	4	Screw	9611-99-3241	9611-99-3242	9611-99-3243	9611-99-3243	9611-99-3243	Parts for flushed shaft seal			
5a	1	Compression ring with thread	9612-1336-03	9612-1336-04	9612-1336-07	9612-1336-07	9612-1336-08	40	1	Seal housing	9612-5144-01
5b	1	Compression ring without thread	9612-1337-03	9612-1337-04	9612-1337-07	9612-1337-07	9612-1337-08	41	2	Screw for seal housing	9611-99-3232
6	6	Screw	9611-99-3198	9611-99-3198	9611-99-3198	9611-99-3198	9611-99-3266	42	2	Tube	9612-3589-03
6a	6	Washer	9611-99-3199	9611-99-3199	9611-99-3199	9611-99-3199	9611-99-3199	Accessories			
7	1	Shaft with pin (pos.8)	9612-5126-01	9612-5123-01	9612-5122-01	9612-5122-01	9612-5010-01	1	1	Tool complete	9612-1371-02
10	1	Drive ring	9612-5149-01	9612-5149-01	9612-5149-01	9612-5149-01	9612-5149-01	Service kit for single shaft seal			
16	1	Adaptor	9612-5119-01	9612-5119-01	9612-5118-01	9612-5118-01	9612-5008-01	<input type="checkbox"/> Service kit, EPDM 9611-92-2238 <input type="checkbox"/> Service kit, NBR 9611-92-2239 <input type="checkbox"/> Service kit, FPM 9611-92-2240 <input type="checkbox"/> Service kit, FEP 9611-92-2241			
17	4	Screw for adaptor	9611-99-2163	9611-99-2164	9611-99-2164	9611-99-2164	9611-99-2164	Service kit for flushed shaft seal			
18	4	Nut for adaptor	9611-99-2160	9611-99-2160	9611-99-2160	9611-99-2160	9611-99-2160	<input checked="" type="checkbox"/> Service kit, EPDM 9611-92-2242 <input checked="" type="checkbox"/> Service kit, NBR 9611-92-2243 <input checked="" type="checkbox"/> Service kit, FPM 9611-92-2244 <input checked="" type="checkbox"/> Service kit, FEP 9611-92-2245			
19	4	Washer for adaptor	9611-99-1886	9611-99-1886	9611-99-1886	9611-99-1886	9611-99-1886	Parts marked with ◻/◆ are included in the service kits.			
20	4	Nut	9611-99-0353	9611-99-0353	9611-99-0353	9611-99-0353	9611-99-0353	Conversion kit, single to flushed shaft seal 9611-92-2246 = Pos 40+41+42+43+44+45			
21	4	Washer	9611-99-2559	9611-99-2559	9611-99-2559	9611-99-2559	9611-99-2559				
22	1	Safety guard	9612-5145-03	9612-5145-03	9612-5145-03	9612-5145-03	9612-5145-04				
23	1	Screw for safety guard	9611-99-3239	9611-99-3239	9611-99-3239	9611-99-3239	9611-99-3239				
24	8	Cap nut	9611-99-2593	9611-99-2593	9611-99-2593	9611-99-2593	9611-99-2593				
24a	8	Spring washer	9611-99-1887	9611-99-1887	9611-99-1887	9611-99-1887	9611-99-1887				
25	1	Back plate	9612-5146-01	9612-5146-01	9612-5146-01	9612-5146-01	9612-5146-01				
26	◆◻	O-ring, EPDM (standard)	9611-99-3211	9611-99-3211	9611-99-3211	9611-99-3211	9611-99-3211				
1	1	O-ring, NBR	9611-99-3212	9611-99-3212	9611-99-3212	9611-99-3212	9611-99-3212				
1	1	O-ring, FPM	9611-99-3213	9611-99-3213	9611-99-3213	9611-99-3213	9611-99-3213				
1	1	O-ring, FEP	9611-99-3214	9611-99-3214	9611-99-3214	9611-99-3214	9611-99-3214				
28	8	Pin bolt	9611-99-2169	9611-99-2169	9611-99-2169	9611-99-2169	9611-99-2169				
29	1	Pump casing, IDF	9612-5147-01	9612-5147-01	9612-5147-01	9612-5147-01	9612-5147-01				
1	1	Pump casing, SMS	9612-5147-02	9612-5147-02	9612-5147-02	9612-5147-02	9612-5147-02				
1	1	Pump casing, DIN	9612-5147-03	9612-5147-03	9612-5147-03	9612-5147-03	9612-5147-03				
1	1	Pump casing, ISO	9612-5147-04	9612-5147-04	9612-5147-04	9612-5147-04	9612-5147-04				
1	1	Pump casing, BS	9612-5147-05	9612-5147-05	9612-5147-05	9612-5147-05	9612-5147-05				
1	1	Pump casing, flange DN100/DN80	9612-1380-12	9612-1380-12	9612-1380-12	9612-1380-12	9612-1380-12				
36	1	Impeller nut	9612-5011-01	9612-5011-01	9612-5011-01	9612-5011-01	9612-5011-01				
37	1	Impeller	9612-4994-08	9612-4994-08	9612-4994-08	9612-4994-08	9612-4994-01				
38	◆◻	O-ring EPDM	9611-99-3215	9611-99-3215	9611-99-3215	9611-99-3215	9611-99-3215				
1	1	O-ring NBR	9611-99-3216	9611-99-3216	9611-99-3216	9611-99-3216	9611-99-3216				
1	1	O-ring FPM	9611-99-3217	9611-99-3217	9611-99-3217	9611-99-3217	9611-99-3217				
1	1	O-ring FEP	9611-99-3218	9611-99-3218	9611-99-3218	9611-99-3218	9611-99-3218				
Legs											
30a	1	Support bar, right	9612-1322-03	9612-1322-04	9612-3422-01	9612-3422-01					
30b	1	Support bar, left	9612-1323-03	9612-1323-04	9612-3422-01	9612-3422-01					
31	4	Leg	9612-3967-01	9612-3967-01	9612-3967-01	9612-3967-01					
32	4	Screw (Period 9711-)	9611-99-1126	9611-99-1126	9611-99-1907	9611-99-1907					
4	4	Screw (Period -9711)	9611-99-1907	9611-99-1907	9611-99-1907	9611-99-1907					
33	4	Nut	9611-99-0587	9611-99-0587	9611-99-0587	9611-99-0587	9611-99-0935				
34	4	Spring washer	9611-99-0676	9611-99-0676	9611-99-0676	9611-99-0676	9611-99-3267				
35	4	Screw	9611-99-1834	9611-99-1834	2210463-07	2210463-07	9611-99-3268				
35a	4	Washer	9611-99-0706	9611-99-0706	9611-99-0703	9611-99-0703	9611-99-3269				
46	4	Distance sleeve	31438-0390-2	31438-0390-1	31438-0390-3	31438-0390-3					
47	2	Leg bracket					9612-5184-01				
48	4	Nut for leg					9611-99-3260				
49	4	Screw for leg					9612-5185-01				
53	4	Pivot screw			9611-99-1763	9611-99-1763					

Pos.	Qty.	Denomination	11kW	15 kW	18.5 kW	22 kW	30 kW	37 kW	45 kW	55 kW	75 kW
1	1	Motor ¹⁾ ABB	9611-3454-18	9611-3454-20	9611-3454-14	9611-3454-16	9612-3454-04 ³⁾	9612-3454-06 ³⁾	9612-3454-08 ³⁾	9612-3454-10 ³⁾	9612-3454-12 ³⁾
1	1	Motor ²⁾ ABB	9611-3454-17	9611-3454-19	9611-3454-13	9611-3454-15	9612-3454-03 ³⁾	9612-3454-05 ³⁾	9612-3454-07 ³⁾	9612-3454-09 ³⁾	9612-3454-11 ³⁾
		Motor ³⁾ BROOK					9612-6055-02	9612-6055-04	9612-6055-06	9612-6055-08	9612-6055-10
		Motor ³⁾ BROOK					9612-6055-01	9612-6055-03	9612-6055-05	9612-6055-07	9612-6055-09
2	1	Shroud ABB	9612-1390-05	9612-1390-05	9612-1390-05	9612-1390-06	9612-1390-07 ³⁾	9612-1390-07 ³⁾	9612-1390-07 ³⁾	9612-1390-16 ³⁾	9612-1390-16 ³⁾
1	1	Shroud BROOK (Period 9907-)					9612-5938-01	9612-5938-01	9612-5938-01	9612-5938-04	9612-5938-04
2a	1	Edge list (included in pos. 2)									

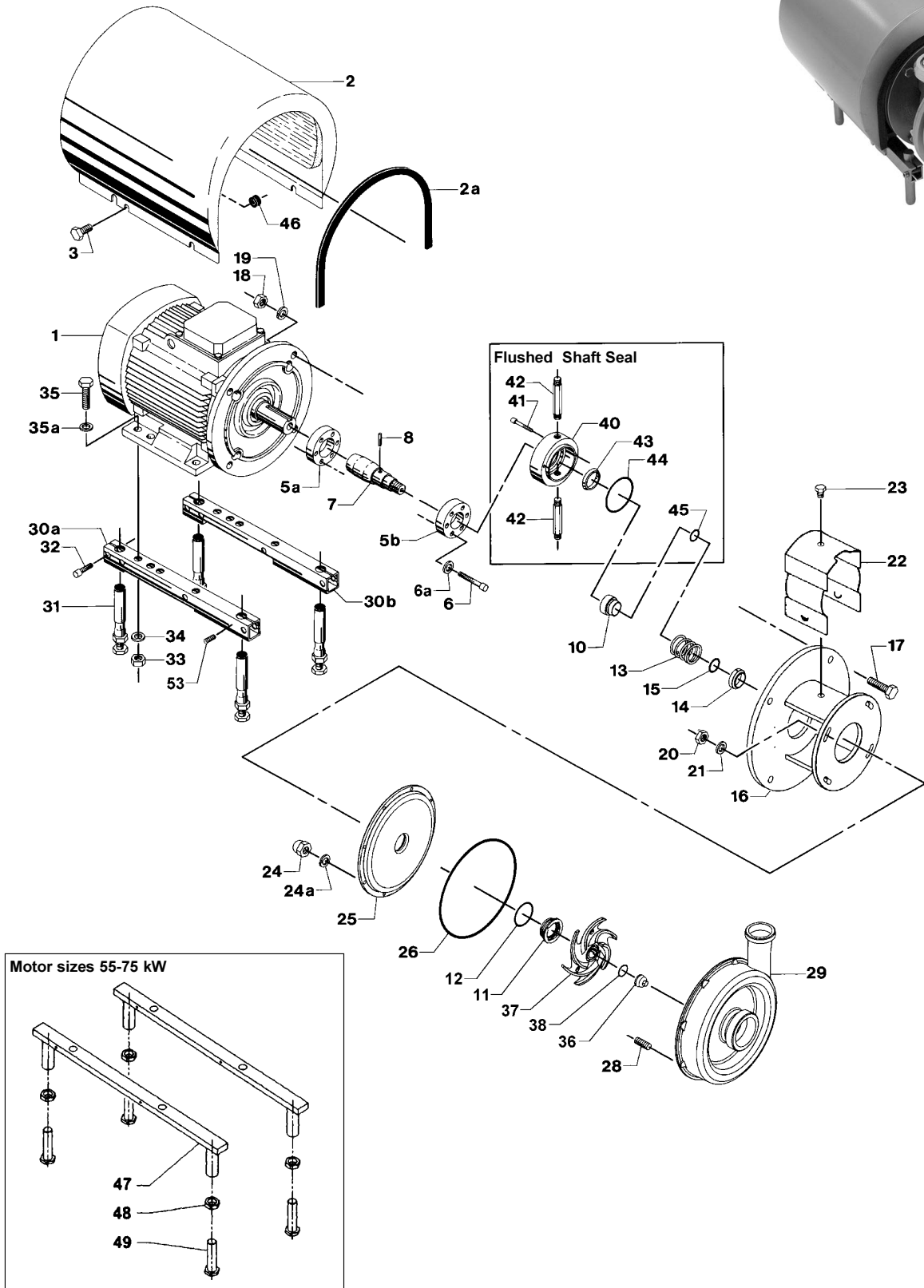
¹⁾ 3~, 50Hz, 380-420VD/660-690VY -standard
²⁾ 3~, 50Hz, 220-240VD/380-420VY -Option
 3~, 60Hz, 440-480VD -standard
 3~, 60Hz, 250-280VD/440-480VY -Option
³⁾ Motor ABB (Period -9907)

Recommended Spare Parts: Service kits.
900020/0

Surface roughness, product wetted parts: Ra ≤ 0.8 μm

Pos.	Qty.	Denomination	11-37 kW	45-75 kW
25	1	Back plate	9612-5146-07	9612-5146-07
27	1	Impeller	9612-4994-12	9612-4994-03
29	1	Pump casing, IDF	9612-5147-06	9612-5147-06
1	1	Pump casing, SMS	9612-5147-07	9612-5147-07
1	1	Pump casing, DIN	9612-5147-08	9612-5147-08
1	1	Pump casing, ISO	9612-5147-09	9612-5147-09
1	1	Pump casing, BS	9612-5147-10	9612-5147-10
36	1	Impeller nut	9612-5011-02	9612-5011-02

**Centrifugal Pump, Type LKH-70 and LKH-80
Shaft Seals**



Centrifugal Pump, Type LKH-80 Single and Flushed Shaft Seal



Pos.	Qty.	Denomination	11-18.5 kW	22 kW	30-37 kW	45 kW	55-75 kW	Pos.	Qty.	Denomination	11-75 kW
3	4	Screw	9611-99-3241	9611-99-3242	9611-99-3243	9611-99-3243	9611-99-3243	Parts for flushed shaft seal			
5a	1	Compression ring with thread	9612-1336-03	9612-1336-04	9612-1336-07	9612-1336-07	9612-1336-08	40	1	Seal housing	9612-5144-01
5b	1	Compression ring without thread	9612-1337-03	9612-1337-04	9612-1337-07	9612-1337-07	9612-1337-08	41	2	Screw for seal housing	9611-99-3232
6	6	Screw	9611-99-3198	9611-99-3198	9611-99-3198	9611-99-3198	9611-99-3266	42	2	Tube	9612-3589-03
6a	6	Washer	9611-99-3199	9611-99-3199	9611-99-3199	9611-99-3199	9611-99-3199	Accessories			
7	1	Shaft with pin (pos.8)	9612-5126-01	9612-5123-01	9612-5122-01	9612-5122-01	9612-5010-01	1		Tool complete	9612-1371-02
10	1	Drive ring	9612-5149-01	9612-5149-01	9612-5149-01	9612-5149-01	9612-5149-01	Service kit for single shaft seal			
16	1	Adaptor	9612-5119-01	9612-5119-01	9612-5118-01	9612-5118-01	9612-5008-01	<input type="checkbox"/> Service kit, EPDM 9611-92-2327 <input type="checkbox"/> Service kit, NBR 9611-92-2328 <input type="checkbox"/> Service kit, FPM 9611-92-2329 <input type="checkbox"/> Service kit, FEP 9611-92-2330			
17	4	Screw for adaptor	9611-99-2163	9611-99-2164	9611-99-2164	9611-99-2164	9611-99-2164	Service kit for flushed shaft seal			
18	4	Nut for adaptor	9611-99-2160	9611-99-2160	9611-99-2160	9611-99-2160	9611-99-2160	<input checked="" type="checkbox"/> Service kit, EPDM 9611-92-2331 <input checked="" type="checkbox"/> Service kit, NBR 9611-92-2332 <input checked="" type="checkbox"/> Service kit, FPM 9611-92-2333 <input checked="" type="checkbox"/> Service kit, FEP 9611-92-2334			
19	4	Washer for adaptor	9611-99-1886	9611-99-1886	9611-99-1886	9611-99-1886	9611-99-1886	Parts marked with <input checked="" type="checkbox"/> / <input checked="" type="checkbox"/> are included in the service kits.			
20	4	Nut	9611-99-0353	9611-99-0353	9611-99-0353	9611-99-0353	9611-99-0353	Conversion kit, single to flushed shaft seal 9611-92-2246 = Pos 40+41+42+43+44+45			
21	4	Washer	9611-99-2559	9611-99-2559	9611-99-2559	9611-99-2559	9611-99-2559				
22	1	Safety guard	9612-5145-03	9612-5145-03	9612-5145-03	9612-5145-03	9612-5145-04				
23	1	Screw for safety guard	9611-99-3239	9611-99-3239	9611-99-3239	9611-99-3239	9611-99-3239				
24	8	Cap nut	9611-99-2593	9611-99-2593	9611-99-2593	9611-99-2593	9611-99-2593				
24a	8	Spring washer	9611-99-1887	9611-99-1887	9611-99-1887	9611-99-1887	9611-99-1887				
25	1	Back plate	9612-5146-02	9612-5146-02	9612-5146-02	9612-5146-02	9612-5146-02				
26	1	O-ring, EPDM (standard)	9611-99-3396	9611-99-3396	9611-99-3396	9611-99-3396	9611-99-3396				
	1	O-ring, NBR	9611-99-3397	9611-99-3397	9611-99-3397	9611-99-3397	9611-99-3397				
	1	O-ring, FPM	9611-99-3398	9611-99-3398	9611-99-3398	9611-99-3398	9611-99-3398				
	1	O-ring, FEP	9611-99-3399	9611-99-3399	9611-99-3399	9611-99-3399	9611-99-3399				
28	8	Pin bolt	9611-99-2169	9611-99-2169	9611-99-2169	9611-99-2169	9611-99-2169				
29	1	Pump casing, ISO-clamp	9612-5147-22	9612-5147-22	9612-5147-22	9612-5147-22	9612-5147-22				
	1	Pump casing, DIN	9612-5147-23	9612-5147-23	9612-5147-23	9612-5147-23	9612-5147-23				
	1	Pump casing, flange DN150/DN100	9612-1380-15	9612-1380-15	9612-1380-15	9612-1380-15	9612-1380-15				
36	1	Impeller nut	9612-5011-01	9612-5011-01	9612-5011-01	9612-5011-01	9612-5011-01				
37	1	Impeller	9612-5197-03	9612-5197-03	9612-5197-03	9612-5197-03	9612-5197-01				
38	1	O-ring EPDM	9611-99-3215	9611-99-3215	9611-99-3215	9611-99-3215	9611-99-3215				
	1	O-ring NBR	9611-99-3216	9611-99-3216	9611-99-3216	9611-99-3216	9611-99-3216				
	1	O-ring FPM	9611-99-3217	9611-99-3217	9611-99-3217	9611-99-3217	9611-99-3217				
	1	O-ring FEP	9611-99-3218	9611-99-3218	9611-99-3218	9611-99-3218	9611-99-3218				
Legs											
30a	1	Support bar, right	9612-1322-03	9612-1322-04	9612-3422-01	9612-3422-01	9612-3422-01				
30b	1	Support bar, left	9612-1323-03	9612-1323-04	9612-3422-01	9612-3422-01	9612-3422-01				
31	4	Leg	9612-3967-01	9612-3967-01	9612-3967-01	9612-3967-01	9612-3967-01				
32	4	Screw	9611-99-1126	9611-99-1126	9611-99-1907	9611-99-1907	9611-99-1907				
33	4	Nut	9611-99-0587	9611-99-0587	9611-99-0587	9611-99-0587	9611-99-0935				
34	4	Spring washer	9611-99-0676	9611-99-0676	9611-99-0676	9611-99-0676	9611-99-3267				
35	4	Screw	9611-99-1834	9611-99-1834	2210463-07	2210463-07	9611-99-3268				
35a	4	Washer	9611-99-0706	9611-99-0706	9611-99-0703	9611-99-0703	9611-99-3269				
46	4	Distance sleeve	31438-0390-2	31438-0390-1	31438-0390-3	31438-0390-3	9612-5184-01				
47	2	Leg bracket					9611-99-3260				
48	4	Nut for leg					9612-5185-01				
49	4	Screw for leg									
53	4	Pivot screw			9611-99-1763	9611-99-1763					

Pos.	Qty.	Denomination	11kW	15 kW	18.5 kW	22 kW	30 kW	37 kW	45 kW	55 kW	75 kW
1	1	Motor ¹⁾ ABB	9611-3454-18	9611-3454-20	9611-3454-14	9611-3454-16					
	1	Motor ²⁾ ABB	9611-3454-17	9611-3454-19	9611-3454-13	9611-3454-15					
		Motor ¹⁾ BROOK					9612-6055-02	9612-6055-04	9612-6055-06	9612-6055-08	9612-6055-10
		Motor ²⁾ BROOK					9612-6055-01	9612-6055-03	9612-6055-05	9612-6055-07	9612-6055-09
2	1	Shroud ABB	9612-1390-05	9612-1390-05	9612-1390-05	9612-1390-06					
	1	Shroud BROOK					9612-5938-01	9612-5938-01	9612-5938-01	9612-5938-04	9612-5938-04
2a	1	Edge list (included in pos. 2)									

¹⁾ 3~50Hz, 380-420VD/660-690VY -standard
3~60Hz, 440-480VD -standard

²⁾ 3~50Hz, 220-240VD/380-420VY -Option
3~60Hz, 250-280VD/440-480VY -Option

Recommended Spare Parts: Service kits.
960559

Surface roughness, product wetted parts: Ra ≤ 0.8 μm

Pos.	Qty.	Denomination	11-37 kW	45-75 kW
25	1	Back plate	9612-5146-08	9612-5146-08
27	1	Impeller	9612-5197-05	9612-5197-02
29	1	Pump casing, ISO-clamp	9612-5147-24	9612-5147-24
	1	Pump casing, DIN	9612-5147-25	9612-5147-25
	1	Impeller nut	9612-5011-02	9612-5011-02

Centrifugal Pump, Type LKH-70 and LKH-80
Shaft Seals

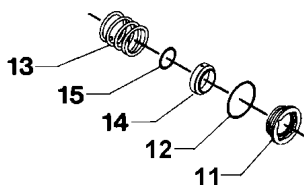


Pos.	Qty.	Denomination	11-75 kW
Shaft seal for single shaft seal			
□		Complete shaft seal, EPDM (Standard)	9612-5151-01
11	1	Stationary seal ring, SiC	9612-5152-01
12	1	O-ring, EPDM	9611-99-3223
13	1	Spring	9612-5154-01
14	1	Rotating seal ring, carbon	9612-5153-01
15	1	O-ring, EPDM	9611-99-3219
□		Complete shaft seal, NBR	9612-5151-02
11	1	Stationary seal ring, SiC	9612-5152-01
12	1	O-ring, NBR	9611-99-3224
13	1	Spring	9612-5154-01
14	1	Rotating seal ring, carbon	9612-5153-01
15	1	O-ring, NBR	9611-99-3220
□		Complete shaft seal, FPM	9612-5151-03
11	1	Stationary seal ring, SiC	9612-5152-01
12	1	O-ring, FPM	9611-99-3225
13	1	Spring	9612-5154-01
14	1	Rotating seal ring, carbon	9612-5153-01
15	1	O-ring, FPM	9611-99-3221
□		Complete shaft seal, FEP	9612-5151-04
11	1	Stationary seal ring, SiC	9612-5152-01
12	1	O-ring, FEP	9611-99-3226
13	1	Spring	9612-5154-01
14	1	Rotating seal ring, carbon	9612-5153-01
15	1	O-ring, FEP	9611-99-3222
Alternatives for single shaft seal			
□		Complete shaft seal, EPDM	9612-5151-05
11	1	Stationary seal ring, SiC	9612-5152-01
12	1	O-ring, EPDM	9611-99-3223
13	1	Spring	9612-5154-01
14	1	Rotating seal ring SiC	9612-5153-02
15	1	O-ring, EPDM	9611-99-3219
□		Complete shaft seal, NBR	9612-5151-06
11	1	Stationary seal ring, SiC	9612-5152-01
12	1	O-ring, NBR	9611-99-3224
13	1	Spring	9612-5154-01
14	1	Rotating seal ring SiC	9612-5153-02
15	1	O-ring, NBR	9611-99-3220
□		Complete shaft seal, FPM	9612-5151-07
11	1	Stationary seal ring, SiC	9612-5152-01
12	1	O-ring, FPM	9611-99-3225
13	1	Spring	9612-5154-01
14	1	Rotating seal ring SiC	9612-5153-02
15	1	O-ring, FPM	9611-99-3221
□		Complete shaft seal, FEP	9612-5151-08
11	1	Stationary seal ring, SiC	9612-5152-01
12	1	O-ring, FEP	9611-99-3226
13	1	Spring	9612-5154-01
14	1	Rotating seal ring SiC	9612-5153-02
15	1	O-ring, FEP	9611-99-3222

Pos.	Qty.	Denomination	11-75 kW
Shaft seal for flushed shaft seal			
◆		Complete shaft seal, EPDM (Standard)	9612-5151-09
11	1	Stationary seal ring, SiC	9612-5152-01
12	1	O-ring, EPDM	9611-99-3223
13	1	Spring	9612-5154-01
14	1	Rotating seal ring, carbon	9612-5153-01
15	1	O-ring, EPDM	9611-99-3219
43	1	Lip seal	9611-99-3263
44	1	O-ring for seal housing	9611-99-2153
45	1	O-ring for drive ring	31460-1056-1
◆		Complete shaft seal, NBR	9612-5151-10
11	1	Stationary seal ring, SiC	9612-5152-01
12	1	O-ring, NBR	9611-99-3224
13	1	Spring	9612-5154-01
14	1	Rotating seal ring, carbon	9612-5153-01
15	1	O-ring, NBR	9611-99-3220
43	1	Lip seal	9611-99-3263
44	1	O-ring for seal housing	9611-99-2153
45	1	O-ring for drive ring	31460-1056-1
◆		Complete shaft seal, FPM	9612-5151-11
11	1	Stationary seal ring, SiC	9612-5152-01
12	1	O-ring, FPM	9611-99-3225
13	1	Spring	9612-5154-01
14	1	Rotating seal ring, carbon	9612-5153-01
15	1	O-ring, FPM	9611-99-3221
43	1	Lip seal	9611-99-3263
44	1	O-ring for seal housing	9611-99-2153
45	1	O-ring for drive ring	31460-1056-1
◆		Complete shaft seal, FEP	9612-5151-12
11	1	Stationary seal ring, SiC	9612-5152-01
12	1	O-ring, FEP	9611-99-3226
13	1	Spring	9612-5154-01
14	1	Rotating seal ring, carbon	9612-5153-01
15	1	O-ring, FEP	9611-99-3222
43	1	Lip seal	9611-99-3263
44	1	O-ring for seal housing	9611-99-2153
45	1	O-ring for drive ring	31460-1056-1
Alternatives for flushed shaft seal			
□		Complete shaft seal, EPDM	9612-5151-13
11	1	Stationary seal ring, SiC	9612-5152-01
12	1	O-ring, EPDM	9611-99-3223
13	1	Spring	9612-5154-01
14	1	Rotating seal ring SiC	9612-5153-02
15	1	O-ring, EPDM	9611-99-3219
43	1	Lip seal	9611-99-3263
44	1	O-ring for seal housing	9611-99-2153
45	1	O-ring for drive ring	31460-1056-1
□		Complete shaft seal, NBR	9612-5151-14
11	1	Stationary seal ring, SiC	9612-5152-01
12	1	O-ring, NBR	9611-99-3224
13	1	Spring	9612-5154-01
14	1	Rotating seal ring SiC	9612-5153-02
15	1	O-ring, NBR	9611-99-3220
43	1	Lip seal	9611-99-3263
44	1	O-ring for seal housing	9611-99-2153
45	1	O-ring for drive ring	31460-1056-1

Pos.	Qty.	Denomination	11-75 kW
Complete shaft seal, FPM			
11	1	Stationary seal ring, SiC	9612-5152-01
12	1	O-ring, FPM	9611-99-3225
13	1	Spring	9612-5154-01
14	1	Rotating seal ring SiC	9612-5153-02
15	1	O-ring, FPM	9611-99-3221
43	1	Lip seal	9611-99-3263
44	1	O-ring for seal housing	9611-99-2153
45	1	O-ring for drive ring	31460-1056-1
Complete shaft seal, FEP			
11	1	Stationary seal ring, SiC	9612-5152-01
12	1	O-ring, FEP	9611-99-3226
13	1	Spring	9612-5154-01
14	1	Rotating seal ring SiC	9612-5153-02
15	1	O-ring, FEP	9611-99-3222
43	1	Lip seal	9611-99-3263
44	1	O-ring for seal housing	9611-99-2153
45	1	O-ring for drive ring	31460-1056-1

Single Shaft Seal



Flushed Shaft Seal

