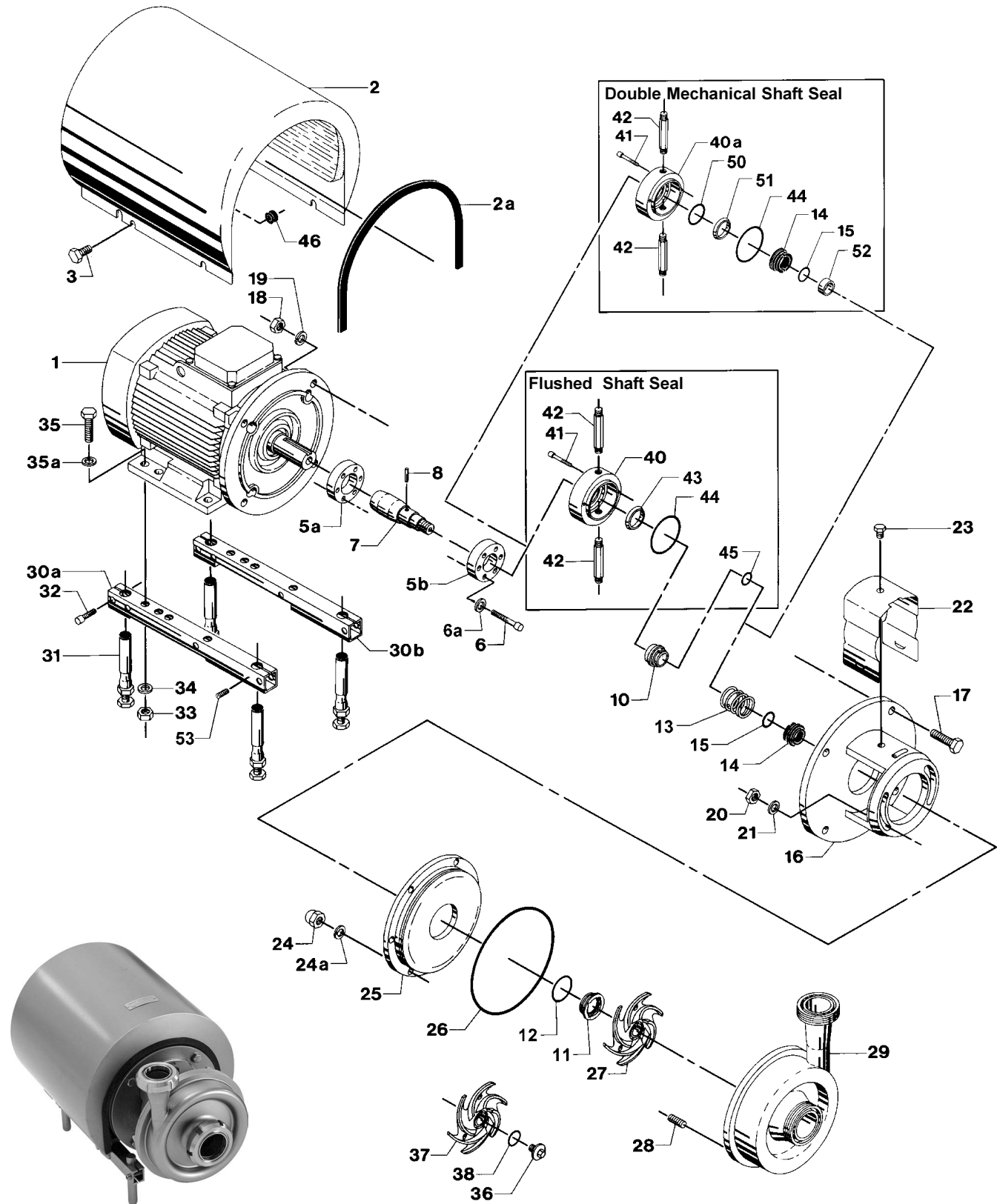


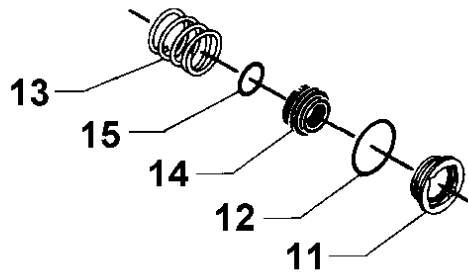
Centrifugal Pump, Type LKH-60
Single, flushed and double mechanical shaft seal



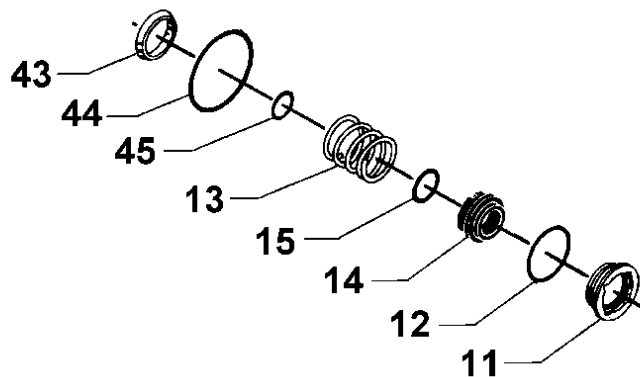
Shaft Seals for Centrifugal Pump
Type LKH 5 - 60



Single Shaft Seal



Flushed Shaft Seal



Double Mechanical Shaft Seal

