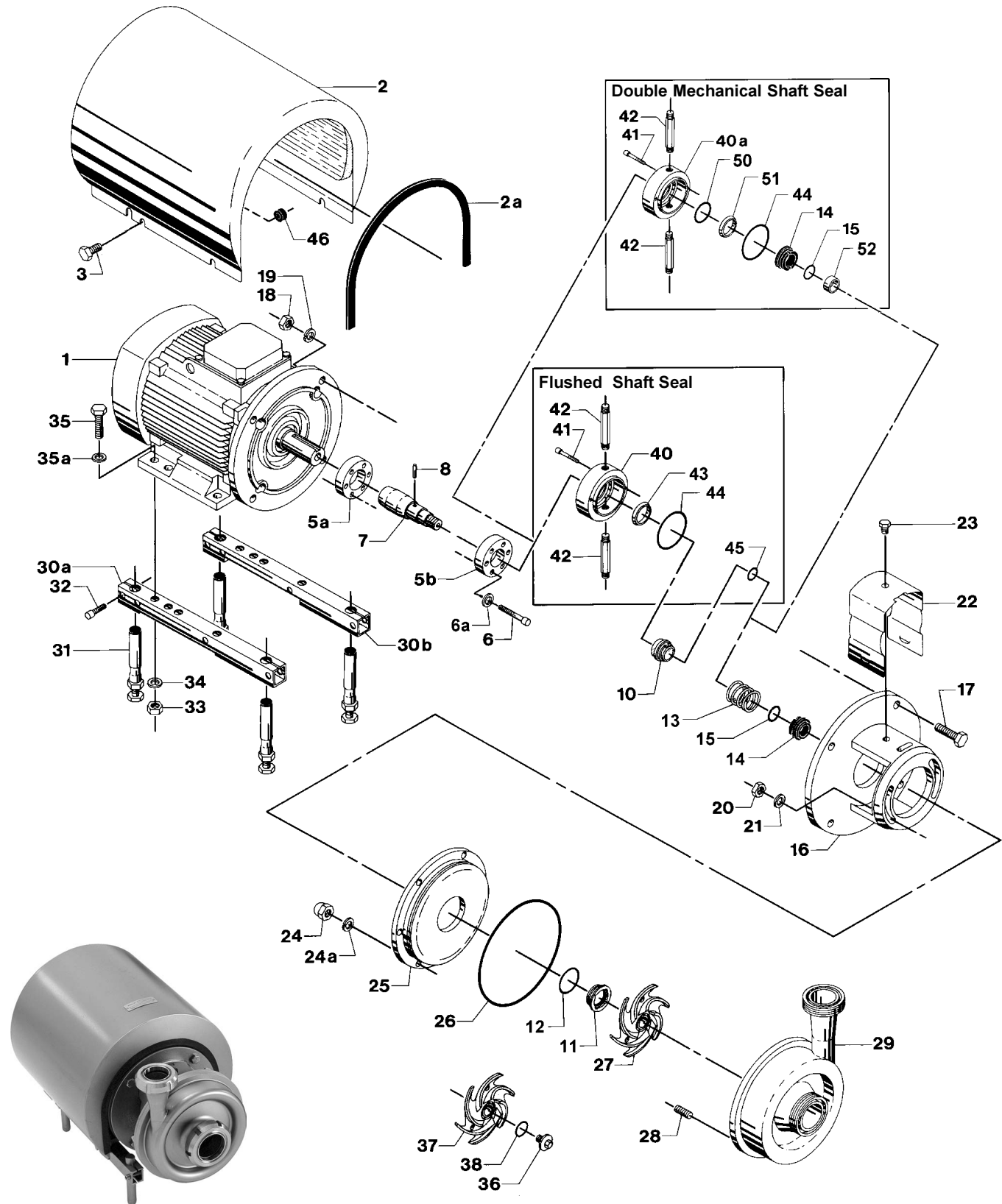


Centrifugal Pump, Type LKH-35
Single, flushed and double mechanical shaft seal



Centrifugal Pump, Type LKH-35

Single, flushed and double mechanical shaft seal



Pos.	Qty.	Denomination	4 kW	5.5-7.5 kW	11-15 kW
3	4	Screw	9611-99-3240	9611-99-3240	9611-99-3241
5a	1	Compression ring with thread	9612-1336-02	9612-1336-05	9612-1336-03
5b	1	Compression ring without thread	9612-1337-02	9612-1337-05	9612-1337-03
6	6	Screw	9611-99-3196	9611-99-3197	9611-99-3198
6a	6	Washer	9611-99-3199	9611-99-3199	9611-99-3199
7	1	Shaft with internal/external thread and pin (pos. 8)	9612-1325-02	9612-1326-02	9612-1327-02
8	1	Connex pin	9611-99-0622	9611-99-0622	9611-99-0622
10	1	Drive ring, Single shaft seal	9612-1377-01	9612-1377-01	9612-1377-01
16	1	Drive ring, Flushed shaft seal	9612-1397-01	9612-1397-01	9612-1397-01
17	4	Adaptor	9612-3424-01	9612-3425-01	9612-3426-01
18	4	Screw for adaptor	9611-99-1834	9611-99-2162	9611-99-2163
18	4	Nut for adaptor	9611-99-0587	9611-99-0587	9611-99-2160
19	4	Washer for adaptor	9611-99-0676	9611-99-0676	9611-99-1886
20	2	Nut	9611-99-0353	9611-99-0353	9611-99-0353
21	2	Washer	9611-99-2559	9611-99-2559	9611-99-2559
22	1	Safety guard	9612-1311-06	9612-1311-07	9612-1311-08
23	1	Screw for safety guard	9611-99-3239	9611-99-3239	9611-99-3239
24	6	Cap nut	9611-99-2593	9611-99-2593	9611-99-2593
24a	6	Washer	9611-99-1887	9611-99-1887	9611-99-1887
25	1	Back plate	9612-1384-23	9612-1384-23	9612-1384-23
26	1	O-ring, EPDM (standard)	9611-99-2963	9611-99-2963	9611-99-2963
26	1	O-ring, NBR	9611-99-2984	9611-99-2984	9611-99-2984
26	1	O-ring, FPM	9611-99-2985	9611-99-2985	9611-99-2985
27	1	O-ring, FEP	9611-99-2986	9611-99-2986	9611-99-2986
27	1	Impeller	9612-4341-07	9612-4341-07	9612-4341-01
28	6	Bolt	9611-99-2169	9611-99-2169	9611-99-2169
29	1	Pump casing, IDF	9612-4924-11	9612-4924-11	9612-4924-11
29	1	Pump casing, SMS	9612-4924-12	9612-4924-12	9612-4924-12
29	1	Pump casing, DIN	9612-4924-13	9612-4924-13	9612-4924-13
29	1	Pump casing, ISO	9612-4924-14	9612-4924-14	9612-4924-14
29	1	Pump casing, BS	9612-4924-15	9612-4924-15	9612-4924-15
29	1	Pump casing, flange DN65/DN50	9612-1380-10	9612-1380-10	9612-1380-10
Legs					
30a	1	Support bar, right	9612-1322-05	9612-1322-06	9612-1322-03
30b	1	Support bar, left	9612-1323-05	9612-1323-06	9612-1323-03
31	4	Leg	9612-3967-01	9612-3967-01	9612-3967-01
32	4	Screw (Period 9711-)	9611-99-1126	9611-99-1126	9611-99-1126
33	4	Screw (Period -9711)	9611-99-1907	9611-99-1907	9611-99-1907
34	4	Nut	9611-99-0353	9611-99-0353	9611-99-0587
34	4	Spring washer	9611-99-1887	9611-99-1887	9611-99-0676
35	4	Screw	9611-99-1911	9611-99-1911	9611-99-1834
35a	4	Washer	9611-99-0786	9611-99-0786	9611-99-0706
46	4	Distance sleeve		9611-99-2737	31438-0390-2
Alternatives					
36	1	Impeller screw	9612-1396-01	9612-1396-01	9612-1396-01
37	1	Impeller for impeller screw	9612-4341-08	9612-4341-08	9612-4341-02
38	1	O-ring EPDM	9611-99-2145	9611-99-2145	9611-99-2145
38	1	O-ring NBR	9611-99-2147	9611-99-2147	9611-99-2147
38	1	O-ring FPM	9611-99-2146	9611-99-2146	9611-99-2146
38	1	O-ring FEP	9611-99-2148	9611-99-2148	9611-99-2148

Pos.	Qty.	Denomination	4 kW	5.5 kW	7.5 kW	11 kW	15 kW
1	1	Motor, M2AA*	9612-4028-07	9612-4028-15	9612-4028-30	31801-0122-1	31801-1194-1
1	1	Motor, M2AA**	9612-4028-09	9612-4028-17	9612-4028-32	31801-0122-3	31801-1194-3
2	1	Shroud complete (Period 9310-)	9612-1390-03	9612-1390-08	9612-1390-08	9612-1390-05	9612-1390-05
2a	1	Edge list (Included in pos. 2)					
* 3 ~, 50 Hz, 220-240V/380-420VY - Standard ≤ 4 kW ** 3 ~, 50 Hz, 380-420V/660-690VY - Standard ≥ 5.5 kW							
3 ~, 60 Hz, 250-280V/440-480VY - Standard ≤ 4.6 kW 3 ~, 60 Hz, 440-480 Δ - Standard ≥ 6.3 kW							

Pos.	Qty.	Denomination	4-15 kW	Shaft Seal: See page 58 and 59
Accessories				
1	1	Tool complete	9612-1371-01	
Parts for Flushed Shaft Seal				
40	1	Seal housing	9612-1339-01	
41	2	Screw for seal housing	9611-99-0203	
42	2	Tube	9612-3589-07	
Parts for Double Mechanical Shaft Seal				
40a	1	Seal housing	9612-1339-02	
41	2	Screw for seal housing	9611-99-0203	
42	2	Tube	9612-3589-07	
Service kit for single shaft seal				
		Service kit, EPDM	9611-92-2178	
		Service kit, NBR	9611-92-2179	
		Service kit, FPM	9611-92-2180	
		Service kit, FEP	9611-92-2181	
Service kit for single shaft seal and impeller screw				
		Service kit, EPDM	9611-92-2182	
		Service kit, NBR	9611-92-2183	
		Service kit, FPM	9611-92-2184	
		Service kit, FEP	9611-92-2185	
Service kit for flushed shaft seal				
		Service kit, EPDM	9611-92-2186	
		Service kit, NBR	9611-92-2187	
		Service kit, FPM	9611-92-2188	
		Service kit, FEP	9611-92-2189	
Service kit for flushed shaft seal and impeller screw				
		Service kit, EPDM	9611-92-2190	
		Service kit, NBR	9611-92-2191	
		Service kit, FPM	9611-92-2192	
		Service kit, FEP	9611-92-2193	
Service kit for double mechanical shaft seal				
		Service kit, EPDM	9611-92-2222	
		Service kit, NBR	9611-92-2223	
		Service kit, FPM	9611-92-2224	
		Service kit, FEP	9611-92-2225	
Service kit for double mechanical shaft seal and impeller screw				
		Service kit, EPDM	9611-92-2226	
		Service kit, NBR	9611-92-2227	
		Service kit, FPM	9611-92-2228	
		Service kit, FEP	9611-92-2229	

Parts marked with □/◆/○/*/-/• are included in the service kits.

Recommended Spare Parts: Service kits.

Conversion kit, single to flushed shaft seal 9611-92-2042 = Pos. 10+40+41+42+43+44+45.

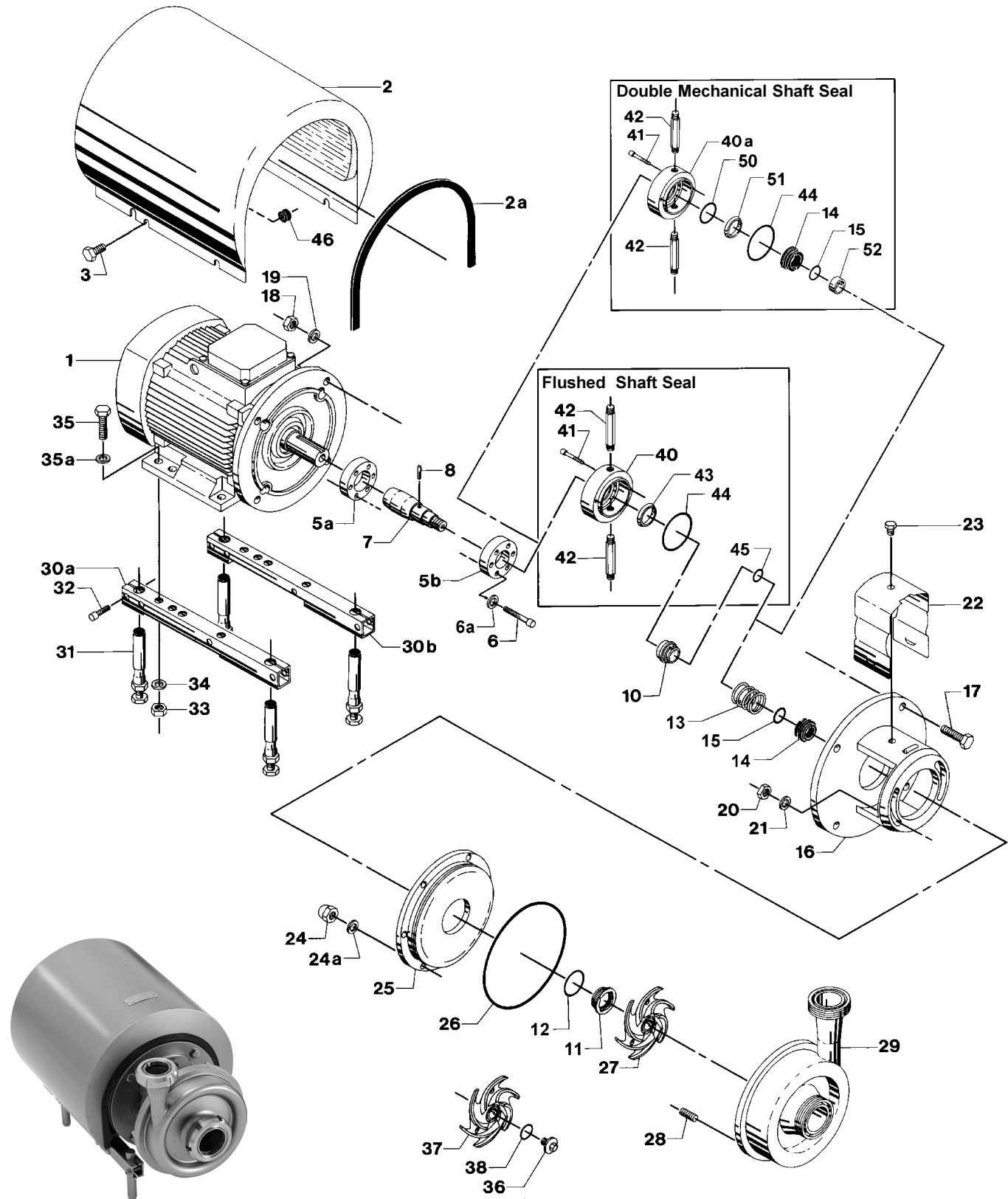
Conversion kit, single to double mechanical shaft seal 9611-92-2175 = Pos. 14+15+40a+41+42+44+50+51+52. SIC/SIC = 9611-92-2302

Conversion kit, flushed to double mechanical shaft seal 9611-92-2176 = Pos. 14+40a+50+51+52.

Surface roughness, product wetted parts: Ra ≤ 0.8 μm

Pos.	Qty.	Denomination	4-7.5 kW	11-15 kW
25	1	Back plate	9612-1384-24	9612-1384-24
27	1	Impeller	9612-4341-09	9612-4341-05
29	1	Pump casing, IDF	9612-4925-11	9612-4925-11
29	1	Pump casing, SMS	9612-4925-12	9612-4925-12
29	1	Pump casing, DIN	9612-4925-13	9612-4925-13
29	1	Pump casing, ISO	9612-4925-14	9612-4925-14
29	1	Pump casing, BS	9612-4925-15	9612-4925-15
Alternatives				
36	1	Impeller screw	9612-1396-03	9612-1396-03
37	1	Impeller for impeller screw	9612-4341-10	9612-4341-06

Centrifugal Pump, Type LKH-40
Single, flushed and double mechanical shaft seal



Centrifugal Pump, Type LKH-40
Single, flushed and double mechanical shaft seal



Pos.	Qty.	Denomination	7.5 kW	11 kW	15-18.5 kW	22 kW
3	4	Screw	9611-99-3240	9611-99-3241	9611-99-3241	9611-99-3242
5a	1	Compression ring with thread	9612-1336-05	9612-1336-03	9612-1336-03	9612-1336-04
5b	1	Compression ring without thread	9612-1337-05	9612-1337-03	9612-1337-03	9612-1337-04
6	6	Screw	9611-99-3197	9611-99-3198	9611-99-3198	9611-99-3198
6a	6	Washer	9611-99-3199	9611-99-3199	9611-99-3199	9611-99-3199
7	1	Shaft with internal/external thread and pin (pos. 8)	9612-1326-02	9612-1327-02	9612-1327-02	9612-1328-02
8	1	Conex pin	9611-99-0622	9611-99-0622	9611-99-0622	9611-99-0622
10	1	Drive ring, Single shaft seal	9612-1377-01	9612-1377-01	9612-1377-01	9612-1377-01
10	1	Drive ring, Flushed shaft seal	9612-1397-01	9612-1397-01	9612-1397-01	9612-1397-01
16	1	Adaptor	9612-3425-01	9612-3426-01	9612-3426-01	9612-3426-01
17	4	Screw for adaptor	9611-99-2162	9611-99-2163	9611-99-2163	9611-99-2164
18	4	Nut for adaptor	9611-99-2593	9611-99-2593	9611-99-2593	9611-99-2593
19	4	Washer for adaptor	9611-99-0676	9611-99-1886	9611-99-1886	9611-99-1886
20	2	Nut	9611-99-0353	9611-99-0353	9611-99-0353	9611-99-0353
21	2	Washer	9611-99-2559	9611-99-2559	9611-99-2559	9611-99-2559
22	1	Safety guard	9612-1311-07	9612-1311-08	9612-1311-08	9612-1311-08
23	1	Screw for safety guard	9611-99-3239	9611-99-3239	9611-99-3239	9611-99-3239
24	6	Cap nut (Period 9211-)	9611-99-2593	9611-99-2593	9611-99-2593	9611-99-2593
24a	6	Handle (Period 9210)	9611-99-2303	9611-99-2303	9611-99-2303	9611-99-2303
24a	6	Washer (Period 9211-)	9611-99-1887	9611-99-1887	9611-99-1887	9611-99-1887
25	1	Back plate	9612-1384-06	9612-1384-06	9612-1384-06	9612-1384-06
26	1	O-ring, EPDM (standard)	9611-99-2171	9611-99-2171	9611-99-2171	9611-99-2171
26	1	O-ring, NBR	9611-99-2173	9611-99-2173	9611-99-2173	9611-99-2173
26	1	O-ring, FPM	9611-99-2172	9611-99-2172	9611-99-2172	9611-99-2172
26	1	O-ring, FEP	9611-99-2174	9611-99-2174	9611-99-2174	9611-99-2174
27	1	Impeller	9612-1318-07	9612-1318-07	9612-1318-01	9612-1318-01
28	6	Bolt	9611-99-2169	9611-99-2169	9611-99-2169	9611-99-2169
29	1	Pump casing, IDF	9612-1398-16	9612-1398-16	9612-1398-16	9612-1398-16
29	1	Pump casing, SMS	9612-1398-17	9612-1398-17	9612-1398-17	9612-1398-17
29	1	Pump casing, DIN	9612-1398-18	9612-1398-18	9612-1398-18	9612-1398-18
29	1	Pump casing, ISO	9612-1398-19	9612-1398-19	9612-1398-19	9612-1398-19
29	1	Pump casing, BS	9612-1398-20	9612-1398-20	9612-1398-20	9612-1398-20
29	1	Pump casing, flange DN80/DN65	9612-1380-04	9612-1380-04	9612-1380-04	9612-1380-04
Legs						
30a	1	Support bar, right (Period 9310-)	9612-1322-06			
30a	1	Support bar, right (*Period 9009-9310)	*9612-1322-02	9612-1322-03	9612-1322-03	9612-1322-04
30b	1	Support bar, left (Period 9310-)	9612-1323-06			
30b	1	Support bar, left (*Period 9009-9310)	*9612-1323-02	9612-1323-03	9612-1323-03	9612-1323-04
31	4	Leg	9612-3967-01	9612-3967-01	9612-3967-01	9612-3967-01
32	4	Screw (Period 9711-)	9611-99-1126	9611-99-1126	9611-99-1126	9611-99-1126
32	4	Screw (Period -9711)	9611-99-1907	9611-99-1907	9611-99-1907	9611-99-1907
33	4	Nut	9611-99-0587	9611-99-0587	9611-99-0587	9611-99-0587
34	4	Spring washer	9611-99-1887	9611-99-0676	9611-99-0676	9611-99-0676
35	4	Screw	9611-99-1911	9611-99-1834	9611-99-1834	9611-99-1834
35a	4	Washer	9611-99-0786	9611-99-0706	9611-99-0706	9611-99-0706
46	4	Distance sleeve		31438-0390-2	31438-0390-2	31438-0390-1
46	4	Distance sleeve for M2AA motor (Period 9310-)	9611-99-2737			
Alternatives						
36	1	Impeller screw	9612-1396-01	9612-1396-01	9612-1396-01	9612-1396-01
37	1	Impeller for impeller screw	9612-1318-08	9612-1318-08	9612-1318-02	9612-1318-02
38	1	O-ring EPDM	9611-99-2145	9611-99-2145	9611-99-2145	9611-99-2145
38	1	O-ring NBR	9611-99-2147	9611-99-2147	9611-99-2147	9611-99-2147
38	1	O-ring FPM	9611-99-2146	9611-99-2146	9611-99-2146	9611-99-2146
38	1	O-ring FEP	9611-99-2148	9611-99-2148	9611-99-2148	9611-99-2148

Pos.	Qty.	Denomination	7.5 kW	11 kW	15kW	18.5 kW	22 kW
1	1	Motor, M2AA**	9612-4028-30	31801-0122-1	31801-1194-1	9612-3454-13	9612-3454-15
1	1	Motor, MBT**	*31801-1866-1				
1	1	Motor, M2AA***	9612-4028-32	31801-0122-3	31801-1194-3	9612-3454-14	9612-3454-16
1	1	Motor, MBT***	*31801-1866-3				
2	1	Shroud (Period 9310-)				9612-1390-08	
2a	1	Shroud (*Period 9009-9310)	9612-1390-04	9612-1390-05	9612-1390-05	9612-1390-05	9612-1390-06
2a	1	Edge list (Included in pos. 2)					
* MBT motor (Period 9009-9310). Not available anymore.							
** 3 ~, 50 Hz, 220-240V/380-420VY - Option *** 3 ~, 50 Hz, 380-420V/660-690VY - Standard							
3 ~, 60 Hz, 250-280V/440-480VY - Option 3 ~, 60 Hz, 440-480V/Δ - Standard							
Pos.	Qty.	Denomination	1.5-4 kW	Shaft Seal: See page 58 and 59			
Accessories							
1	1	Tool complete	9612-1371-01				
Parts for Flushed Shaft Seal							
40	1	Seal housing	9612-1339-01				
41	2	Screw for seal housing	9611-99-0203				
42	2	Tube	9612-3589-07				
Parts for Double Mechanical Shaft Seal							
40a	1	Seal housing	9612-1339-02				
41	2	Screw for seal housing	9611-99-0203				
42	2	Tube	9612-3589-07				
Service kit for single shaft seal							
		Service kit, EPDM	9611-92-2088				
		Service kit, NBR	9611-92-2089				
		Service kit, FPM	9611-92-2090				
		Service kit, FEP	9611-92-2091				
Service kit for single shaft seal and impeller screw							
		Service kit, EPDM	9611-92-2130				
		Service kit, NBR	9611-92-2131				
		Service kit, FPM	9611-92-2132				
		Service kit, FEP	9611-92-2133				
Service kit for flushed shaft seal							
		Service kit, EPDM	9611-92-2092				
		Service kit, NBR	9611-92-2093				
		Service kit, FPM	9611-92-2094				
		Service kit, FEP	9611-92-2095				
Service kit for flushed shaft seal and impeller screw							
		Service kit, EPDM	9611-92-2134				
		Service kit, NBR	9611-92-2135				
		Service kit, FPM	9611-92-2136				
		Service kit, FEP	9611-92-2137				
Service kit for double mechanical shaft seal							
		Service kit, EPDM	9611-92-2230				
		Service kit, NBR	9611-92-2231				
		Service kit, FPM	9611-92-2232				
		Service kit, FEP	9611-92-2233				
Service kit for double mechanical shaft seal and impeller screw							
		Service kit, EPDM	9611-92-2234				
		Service kit, NBR	9611-92-2235				
		Service kit, FPM	9611-92-2236				
		Service kit, FEP	9611-92-2237				
Parts marked with □, ◆, ○, * or ◊ are included in the service kits.							
Recommended Spare Parts: Service kits.							
Conversion kit, single to flushed shaft seal 9611-92-2042 = Pos. 10+40+41+42+43+44+45.							
Conversion kit, single to double mechanical shaft seal 9611-92-2175 = Pos. 14+15+40a+41+42+44+ 50 +51+52. SIC/SIC = 9611-92-2302.							
Conversion kit, flushed to double mechanical shaft seal 9611-92-2176 = Pos. 14+40a+50+51+52.							

Surface roughness, product wetted parts: Ra ≤ 0.8 μm

Pos.	Qty.	Denomination	7.5-11 kW	15-22 kW
25	1	Back plate	9612-1384-22	9612-1384-22
27	1	Impeller	9612-1318-09	9612-1318-05
29	1	Pump casing, IDF	9612-4572-16	9612-4572-16
29	1	Pump casing, SMS	9612-4572-17	9612-4572-17
29	1	Pump casing, DIN	9612-4572-18	9612-4572-18
29	1	Pump casing, ISO	9612-4572-19	9612-4572-19
29	1	Pump casing, BS	9612-4572-20	9612-4572-20
Alternatives				
36	1	Impeller screw	9612-1396-03	9612-1396-03
37	1	Impeller for impeller screw	9612-1318-10	9612-1318-06