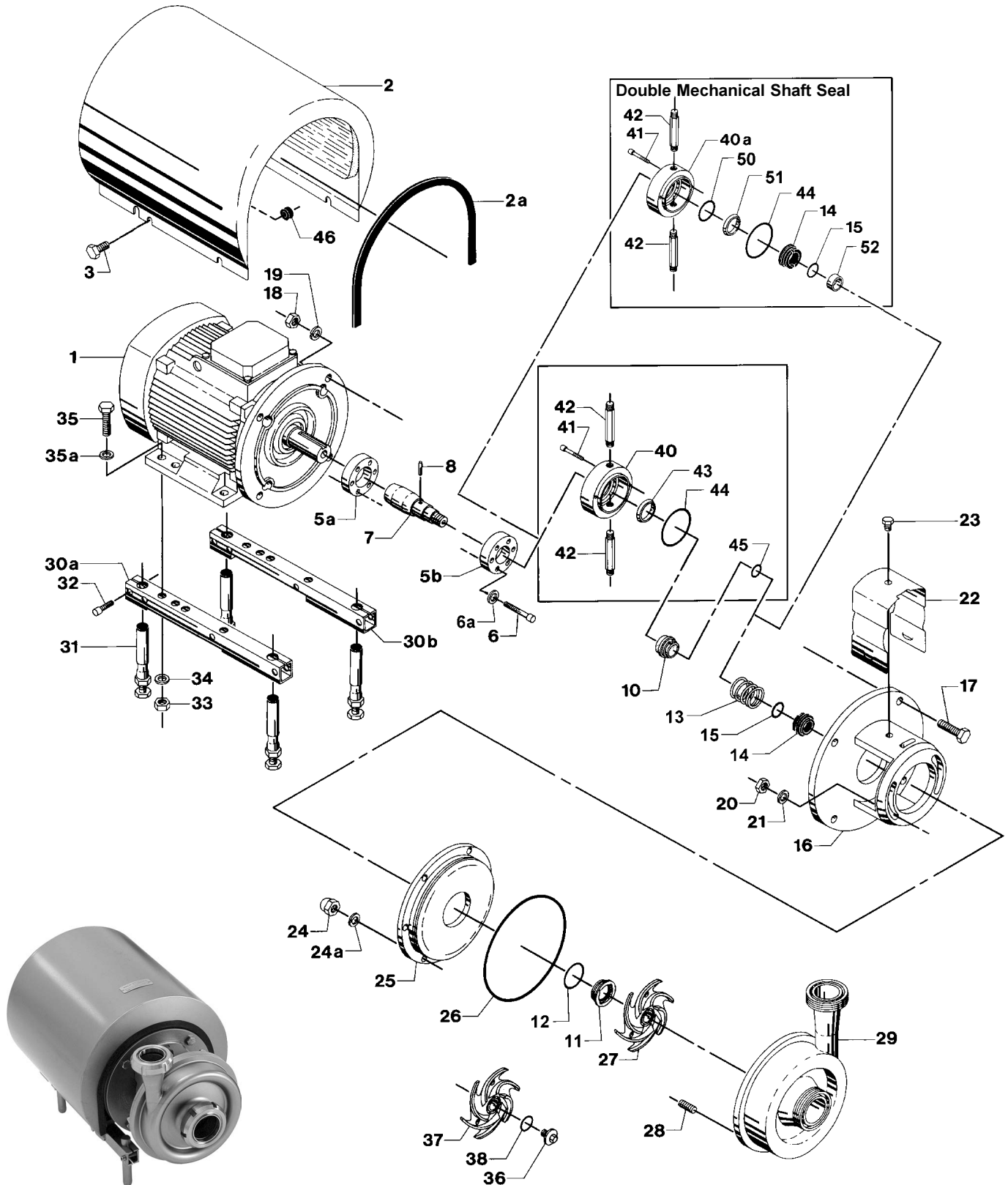


Centrifugal Pump, Type LKH-25
Single, flushed and double mechanical shaft seal



Centrifugal Pump, Type LKH-25

Single, flushed and double mechanical shaft seal



Pos.	Qty.	Denomination	4 kW	5.5-7.5 kW	11-15 kW
3	4	Screw	9611-99-3240	9611-99-3240	9611-99-3241
5a	1	Compression ring with thread	9612-1336-02	9612-1336-05	9612-1336-03
5b	1	Compression ring without thread	9612-1337-02	9612-1337-05	9612-1337-03
6	6	Screw	9611-99-3196	9611-99-3197	9611-99-3198
6a	6	Washer	9611-99-3199	9611-99-3199	9611-99-3199
7	1	Shaft with internal/external thread and pin (pos. 8)	9612-1325-02	9612-1326-02	9612-1327-02
8	1	Connext pin	9611-99-0622	9611-99-0622	9611-99-0622
10	1	Drive ring, Single shaft seal	9612-1377-01	9612-1377-01	9612-1377-01
10	1	Drive ring, Flushed shaft seal	9612-1397-01	9612-1397-01	9612-1397-01
16	1	Adaptor	9612-3424-01	9612-3425-01	9612-3426-01
17	4	Screw for adaptor	9611-99-1834	9611-99-2162	9611-99-2163
18	4	Nut for adaptor	9611-99-0587	9611-99-0587	9611-99-2160
19	4	Washer for adaptor	9611-99-0676	9611-99-0676	9611-99-1886
20	2	Nut	9611-99-0353	9611-99-0353	9611-99-0353
21	2	Washer	9611-99-2559	9611-99-2559	9611-99-2559
22	1	Safety guard	9612-1311-06	9612-1311-07	9612-1311-08
23	1	Screw for safety guard	9611-99-3239	9611-99-3239	9611-99-3239
24	6	Cap nut	9611-99-2593	9611-99-2593	9611-99-2593
24a	6	Washer	9611-99-1887	9611-99-1887	9611-99-1887
25	1	Back plate	9612-1384-23	9612-1384-23	9612-1384-23
26	1	O-ring, EPDM (standard)	9611-99-2983	9611-99-2983	9611-99-2983
1	1	O-ring, NBR	9611-99-2984	9611-99-2984	9611-99-2984
1	1	O-ring, FPM	9611-99-2985	9611-99-2985	9611-99-2985
1	1	O-ring, FEP	9611-99-2986	9611-99-2986	9611-99-2986
27	1	Impeller	9612-4252-07	9612-4252-07	9612-4252-01
28	6	Bolt	9611-99-2169	9611-99-2169	9611-99-2169
29	1	Pump casing, IDF	9612-4924-06	9612-4924-06	9612-4924-06
1	1	Pump casing, SMS	9612-4924-07	9612-4924-07	9612-4924-07
1	1	Pump casing, DIN	9612-4924-08	9612-4924-08	9612-4924-08
1	1	Pump casing, ISO	9612-4924-09	9612-4924-09	9612-4924-09
1	1	Pump casing, BS	9612-4924-10	9612-4924-10	9612-4924-10
1	1	Pump casing, flange DN80/DN65	9612-1380-09	9612-1380-09	9612-1380-09
Legs					
30a	1	Support bar, right	9612-1322-05	9612-1322-06	9612-1322-03
30b	1	Support bar, left	9612-1323-05	9612-1323-06	9612-1323-03
31	4	Leg	9612-3967-01	9612-3967-01	9612-3967-01
32	4	Screw (Period 9711)	9611-99-1126	9611-99-1126	9611-99-1126
32	4	Screw (Period -9711)	9611-99-1907	9611-99-1907	9611-99-1907
33	4	Nut	9611-99-0353	9611-99-0353	9611-99-0587
34	4	Spring washer	9611-99-1887	9611-99-1887	9611-99-0676
35	4	Screw	9611-99-1911	9611-99-1911	9611-99-1834
35a	4	Washer	9611-99-0786	9611-99-0786	9611-99-0706
46	4	Distance sleeve	9611-99-2737	9611-99-2737	31438-0390-2
Alternatives					
36	1	Impeller screw	9612-1396-01	9612-1396-01	9612-1396-01
37	1	Impeller for impeller screw	9612-4252-08	9612-4252-08	9612-4252-02
38	1	O-ring EPDM	9611-99-2145	9611-99-2145	9611-99-2145
1	1	O-ring NBR	9611-99-2147	9611-99-2147	9611-99-2147
1	1	O-ring FPM	9611-99-2146	9611-99-2146	9611-99-2146
1	1	O-ring FEP	9611-99-2148	9611-99-2148	9611-99-2148

Pos.	Qty.	Denomination	4 kW	5.5 kW	7.5 kW	11 kW	15 kW
1	1	Motor, M2AA*	9612-4028-07	9612-4028-15	9612-4028-30	31801-0122-1	31801-1194-1
1	1	Motor, M2AA**	9612-4028-09	9612-4028-17	9612-4028-32	31801-0122-3	31801-1194-3
2	1	Shroud complete (Period 9310)	9612-1390-03	9612-1390-08	9612-1390-08	9612-1390-05	9612-1390-05
2a	1	Edge list (Included in pos. 2)					
* 3 ~, 50 Hz, 220-240V/380-420VY - Standard ≤ 4 kW ** 3 ~, 50 Hz, 380-420V/660-690VY - Standard ≥ 5.5 kW							
3 ~, 60 Hz, 250-280V/440-480VY - Standard ≤ 4.6 kW 3 ~, 60 Hz, 440-480 Δ - Standard ≥ 6.3 kW							

Pos. Qty. Denomination 4-15 kW Shaft Seal: See page 58 and 59

Accessories

1	1	Tool complete	9612-1371-01
---	---	---------------	--------------

Parts for Flushed Shaft Seal

40	1	Seal housing	9612-1339-01
41	2	Screw for seal housing	9611-99-0203
42	2	Tube	9612-3589-07

Parts for Double Mechanical Shaft Seal

40a	1	Seal housing	9612-1339-02
41	2	Screw for seal housing	9611-99-0203
42	2	Tube	9612-3589-07

Service kit for single shaft seal

<input type="checkbox"/>	Service kit, EPDM	9611-92-2178
<input type="checkbox"/>	Service kit, NBR	9611-92-2179
<input type="checkbox"/>	Service kit, FPM	9611-92-2180
<input type="checkbox"/>	Service kit, FEP	9611-92-2181

Service kit for single shaft seal and impeller screw

◆	Service kit, EPDM	9611-92-2182
◆	Service kit, NBR	9611-92-2183
◆	Service kit, FPM	9611-92-2184
◆	Service kit, FEP	9611-92-2185

Service kit for flushed shaft seal

○	Service kit, EPDM	9611-92-2186
○	Service kit, NBR	9611-92-2187
○	Service kit, FPM	9611-92-2188
○	Service kit, FEP	9611-92-2189

Service kit for flushed shaft seal and impeller screw

★	Service kit, EPDM	9611-92-2190
★	Service kit, NBR	9611-92-2191
★	Service kit, FPM	9611-92-2192
★	Service kit, FEP	9611-92-2193

Service kit for double mechanical shaft seal

◇	Service kit, EPDM	9611-92-2222
◇	Service kit, NBR	9611-92-2223
◇	Service kit, FPM	9611-92-2224
◇	Service kit, FEP	9611-92-2225

Service kit for double mechanical shaft seal and impeller screw

●	Service kit, EPDM	9611-92-2226
●	Service kit, NBR	9611-92-2227
●	Service kit, FPM	9611-92-2228
●	Service kit, FEP	9611-92-2229

Parts marked with /◆/○/★/◇/● are included in the service kits.

Recommended Spare Parts: Service kits.

Conversion kit, single to flushed shaft seal 9611-92-2042 = Pos. 10+40+41+42+43+44+45.

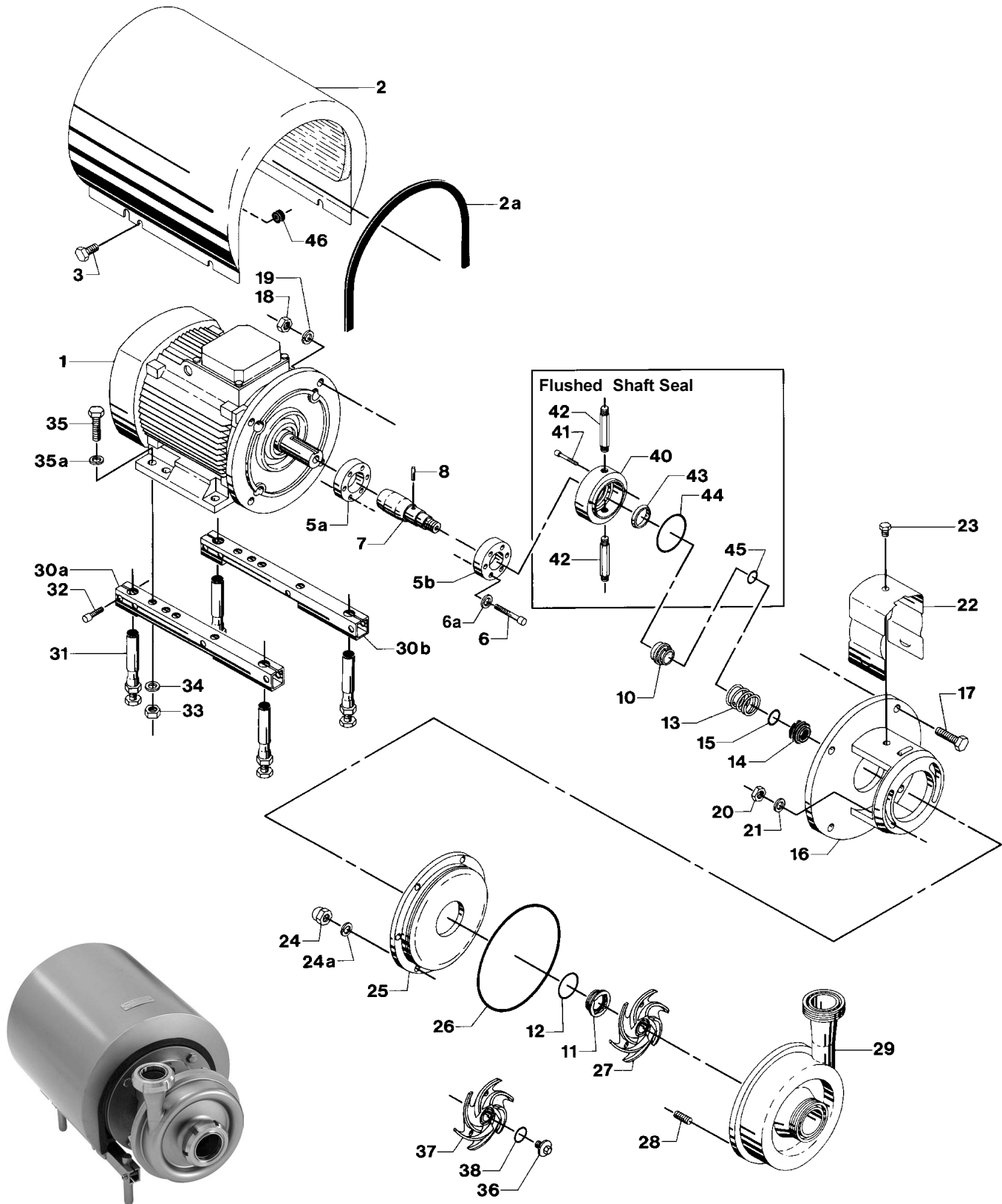
Conversion kit, single to double mechanical shaft seal 9611-92-2175 = Pos. 14+15+40a+41+42+44+50+51+52. SIC/SIC = 9611-92-2302

Conversion kit, flushed to double mechanical shaft seal 9611-92-2176 = Pos. 14+40a+50+51+52.

Surface roughness, product wetted parts: Ra ≤ 0.8 μm

Pos.	Qty.	Denomination	4-7.5 kW	11-15 kW
25	1	Back plate	9612-1384-24	9612-1384-24
27	1	Impeller	9612-4252-09	9612-4252-05
29	1	Pump casing, IDF	9612-4925-06	9612-4925-06
1	1	Pump casing, SMS	9612-4925-07	9612-4925-07
1	1	Pump casing, DIN	9612-4925-08	9612-4925-08
1	1	Pump casing, ISO	9612-4925-09	9612-4925-09
1	1	Pump casing, BS	9612-4925-10	9612-4925-10
Alternatives				
36	1	Impeller screw	9612-1396-03	9612-1396-03
37	1	Impeller for impeller screw	9612-4252-10	9612-4252-06

Centrifugal Pump, Type LKH-30
Single, flushed and double mechanical shaft seal



Centrifugal Pump, Type LKH-30 Single, flushed and double mechanical shaft seal



Pos.	Qty.	Denomination	5.5-7.5 kw	11-18.5 kw	22 kw
3	4	Screw	9611-99-3240	9611-99-3241	221036-03
5a	1	Compression ring with thread	9612-1336-05	9612-1336-03	9612-1336-04
5b	1	Compression ring without thread	9612-1337-05	9612-1337-03	9612-1337-04
6	6	Screw	9611-99-3197	9611-99-3198	9611-99-3198
6a	6	Washer	9611-99-3199	9611-99-3199	9611-99-3199
7	1	Shaft with internal/external thread and pin (pos.8)	9612-1326-02	9612-1327-02	9612-1328-02
8	1	Connex pin	9611-99-2622	9611-99-2622	9611-99-2622
10	1	Drive ring, Single shaft seal	9612-1377-01	9612-1377-01	9612-1377-01
11	1	Drive ring, Flushed shaft seal	9612-1397-01	9612-1397-01	9612-1397-01
16	1	Adaptor, Stainless steel	9612-3425-01	9612-3426-01	9612-3426-01
17	4	Screw for adaptor	9611-99-2162	9611-99-2163	9611-99-2164
18	4	Nut for adaptor	9611-99-2587	9611-99-2160	9611-99-2160
19	4	Washer for adaptor	9611-99-0676	9611-99-1886	9611-99-1886
20	2	Nut	9611-99-0353	9611-99-0353	9612-1384-06
21	2	Washer	9611-99-2559	9611-99-2559	9611-99-2559
22	1	Bracket shield	9612-1311-07	9612-1311-08	9612-1311-08
23	1	Screw for bracket shield	9611-99-3239	9611-99-3239	9611-99-3239
24	6	Cap nut (Period 9211-)	9611-99-2593	9611-99-2593	9611-99-2593
24a	6	Handle (Period 9210-)	9611-99-2303	9611-99-2303	9611-99-2303
25	6	Washer (Period 9211-)	9611-99-1887	9611-99-1887	9611-99-1887
26	1	Back plate	9612-1384-06	9612-1384-06	9612-1384-06
26	1	Joint ring, EPDM (standard)	9611-99-2171	9611-99-2171	9611-99-2171
27	1	Joint ring, NBR	9611-99-2173	9611-99-2173	9611-99-2173
27	1	Joint ring, FPM	9611-99-2172	9611-99-2172	9611-99-2172
27	1	Joint ring, FEP	9611-99-2174	9611-99-2174	9611-99-2174
28	6	Impeller	9612-1316-07	9612-1316-01	9612-1316-01
28	6	Bolt	9611-99-2169	9611-99-2169	9611-99-2169
29	1	Pump casing, IDF	9612-1398-11	9612-1398-11	9612-1398-11
29	1	Pump casing, SMS	9612-1398-12	9612-1398-12	9612-1398-12
29	1	Pump casing, DIN	9612-1398-13	9612-1398-13	9612-1398-13
29	1	Pump casing, ISO	9612-1398-14	9612-1398-14	9612-1398-14
29	1	Pump casing, BS	9612-1398-15	9612-1398-15	9612-1398-15
29	1	Pump casing, flange DN65/DN50	9612-1380-03	9612-1380-03	9612-1380-03
Legs					
30a	1	Support bar, right (Period 9310-)	9612-1322-06		
30a	1	Support bar, right (*Period 9009-9310)	*9612-1322-02	9612-1322-03	9612-1322-04
30b	1	Support bar, left (Period 9310-)	9612-1323-06		
30b	1	Support bar, left (*Period 9009-9310)	*9612-1323-02	9612-1323-03	9612-1323-04
31	4	Leg	9612-3967-01	9612-3967-01	9612-3967-01
32	4	Screw (Period 9711)	9611-99-1126	9611-99-1126	9611-99-1126
33	4	Screw (Period 9711)	9611-99-1907	9611-99-1907	9611-99-1907
33	4	Nut	9611-99-0353	9611-99-0587	9611-99-0587
34	4	Spring washer	9611-99-1887	9611-99-0676	9611-99-0676
35	4	Screw	9611-99-1911	9611-99-1834	9611-99-1834
35a	4	Washer	9611-99-0786	9611-99-0706	9611-99-0706
46	4	Distance sleeve		31438-0390-2	31438-0390-1
46	4	Distance sleeve for M2AA motor (Period 9310-)	9611-99-2737		

Pos.	Qty.	Denomination	7.5-22 kw
Parts for flushed shaft seal			
40	1	Seal housing	9612-1339-01
41	2	Screw for seal housing	9611-99-0203
42	2	Pipe	9612-3589-01
43	1	Lip seal	31446-0088-2
44	1	O-ring for seal housing	9611-99-2153
45	1	O-ring for drive ring	9611-99-2145
Parts marked with □/○/◆/● are included in the service kits.			
□◆◆	1	Shaft seal complete EPDM (Standard)	9612-1296-09
11	1	Stationary seal ring, SiC	9612-1379-01
12	1	O-ring, EPDM	9611-99-2149
13	1	Spring	9612-1376-01
14	1	Rotating seal ring, carbon	9612-1364-01
15	1	O-ring, EPDM	9611-99-2145
□◆◆	1	Shaft seal complete NBR	9612-1296-10
11	1	Stationary seal ring, SiC	9612-1379-01
12	1	O-ring, NBR	9611-99-2151
13	1	Spring	9612-1376-01
14	1	Rotating seal ring, carbon	9612-1364-01
15	1	O-ring, NBR	9611-99-2147
□◆◆	1	Shaft seal complete FPM	9612-1296-11
11	1	Stationary seal ring, SiC	9612-1379-01
12	1	O-ring, FPM	9611-99-2150
13	1	Spring	9612-1376-01
14	1	Rotating seal ring, carbon	9612-1364-01
15	1	O-ring, FPM	9611-99-2146
□◆◆	1	Shaft seal complete FEP	9612-1296-12
11	1	Stationary seal ring, SiC	9612-1379-01
12	1	O-ring, FEP	9611-99-2152
13	1	Spring	9612-1376-01
14	1	Rotating seal ring, carbon	9612-1364-01
15	1	O-ring, FEP	9611-99-2148
Service kit for single shaft seal			
□	1	Service kit, EPDM	9611-92-2088
□	1	Service kit, NBR	9611-92-2089
□	1	Service kit, FPM	9611-92-2090
□	1	Service kit, FEP	9611-92-2091
Service kit for single shaft seal and impeller screw			
○	1	Service kit, EPDM	9611-92-2130
○	1	Service kit, NBR	9611-92-2131
○	1	Service kit, FPM	9611-92-2132
○	1	Service kit, FEP	9611-92-2133
Service kit for flushed shaft seal			
◆	1	Service kit, EPDM	9611-92-2092
◆	1	Service kit, NBR	9611-92-2093
◆	1	Service kit, FPM	9611-92-2094
◆	1	Service kit, FEP	9611-92-2095

Pos.	Qty.	Denomination	7.5-22 kw
Service kit for flushed shaft seal and impeller screw			
*	1	Service kit, EPDM	9611-92-2134
*	1	Service kit, NBR	9611-92-2135
*	1	Service kit, FPM	9611-92-2136
*	1	Service kit, FEP	9611-92-2137
Parts marked with □/○/◆/● are included in the service kits.			
Recommended Spare Parts: Service kits.			
Conversion kit single to flushed shaft seal 9611-92-2042=			
Pos. 10+40+41+42+43+44+45			
Alternatives			
Pos.	Qty.	Denomination	7.5-22 kw
Shaft seal complete EPDM			
11	1	Stationary seal ring, SiC	9612-1296-05
12	1	O-ring, EPDM	9611-99-2149
13	1	Spring	9612-1376-01
14	1	Rotating seal ring SiC	9612-1364-02
15	1	O-ring, EPDM	9611-99-2145
Shaft seal complete NBR			
11	1	Stationary seal ring, SiC	9612-1296-06
12	1	O-ring, NBR	9611-99-2151
13	1	Spring	9612-1376-01
14	1	Rotating seal ring SiC	9612-1364-02
15	1	O-ring, NBR	9611-99-2147
Shaft seal complete FPM			
11	1	Stationary seal ring, SiC	9612-1296-07
12	1	O-ring, FPM	9611-99-2150
13	1	Spring	9612-1376-01
14	1	Rotating seal ring SiC	9612-1364-02
15	1	O-ring, FPM	9611-99-2146
Shaft seal complete FEP			
11	1	Stationary seal ring, SiC	9612-1296-08
12	1	O-ring, FEP	9612-1379-01
13	1	Spring	9611-99-2152
14	1	Rotating seal ring SiC	9612-1376-01
15	1	O-ring, FEP	9612-1364-02
Accessories			
1	1	Tool complete	9612-1371-01

Pos.	Qty.	Denomination	5.5 kW	7.5 kW	11 kW	15kW	18.5 kW	22 kW
1	1	Motor 220/240 VD M2AA	9612-4028-15	9612-4028-30	31801-0122-1	31801-1194-1	31801-1867-1	31801-1868-1
1	1	Motor 220/240 VD MBT	*31801-1865-1	*31801-1865-1	*31801-0122-3	*31801-1194-3	*31801-1867-3	*31801-1868-3
1	1	Motor 380/420 VD M2AA	9612-4028-17	9612-4028-32	31801-0122-3	31801-1194-3	31801-1867-3	31801-1868-3
1	1	Motor 380/420 VD MBT	*31801-1865-3	*31801-1865-3	*31801-0122-3	*31801-1194-3	*31801-1867-3	*31801-1868-3
2	1	Shroud (Period 9310-)	9612-1390-08	9612-1390-08				
2	1	Shroud (*Period 9009-9310)	*9612-1390-04	*9612-1390-04	9612-1390-05	9612-1390-05	9612-1390-05	9612-1390-06
2a	1	Edge list (Included in pos. 2)						

* MBT motor (Period 9009-9310). Not available anymore.

Shaft Seal: See page 58 and 59

Not manufactured anymore