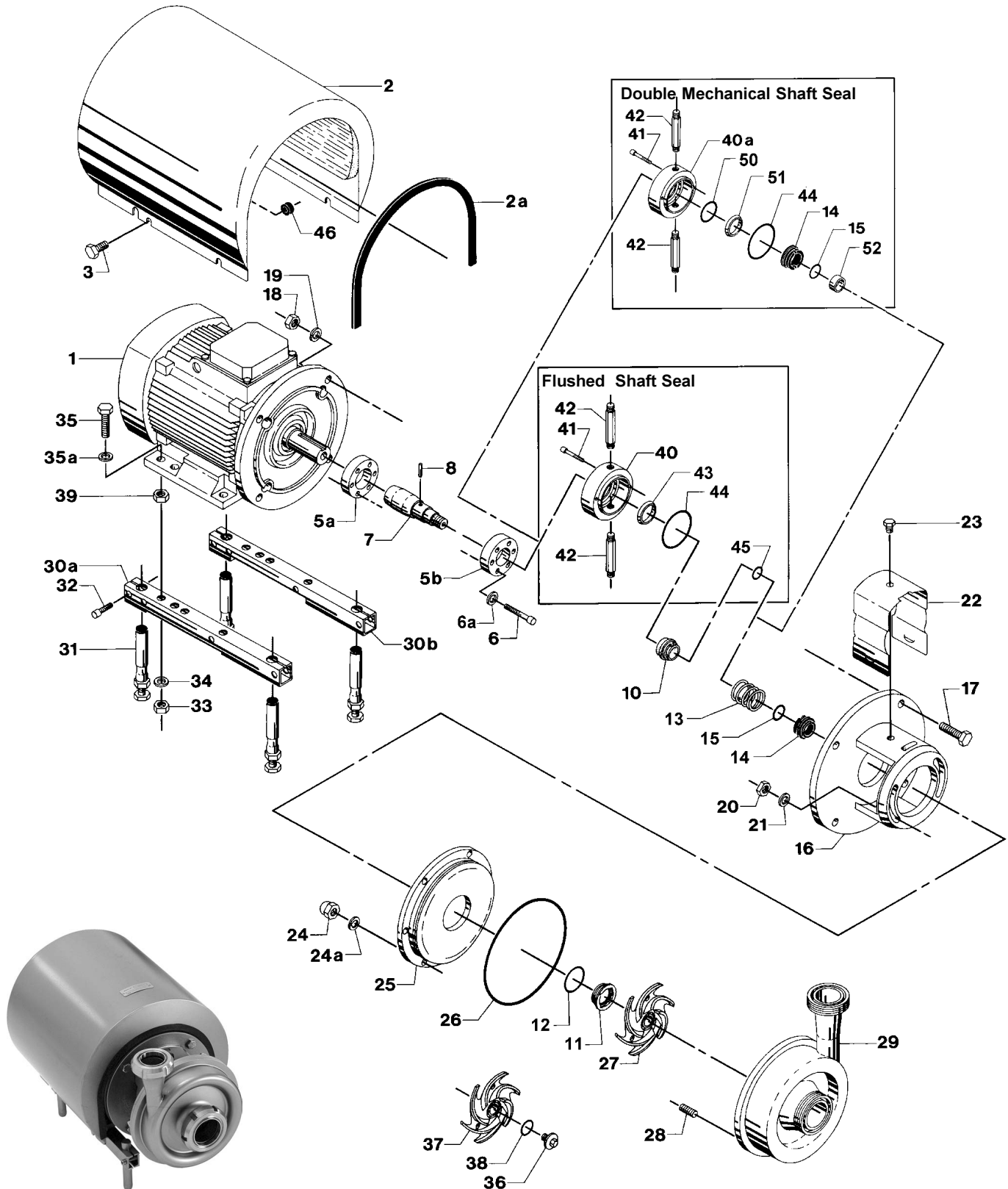


Centrifugal Pump, Type LKH-15
Single, flushed and double mechanical shaft seal



Centrifugal Pump, Type LKH-15

Single, flushed and double mechanical shaft seal



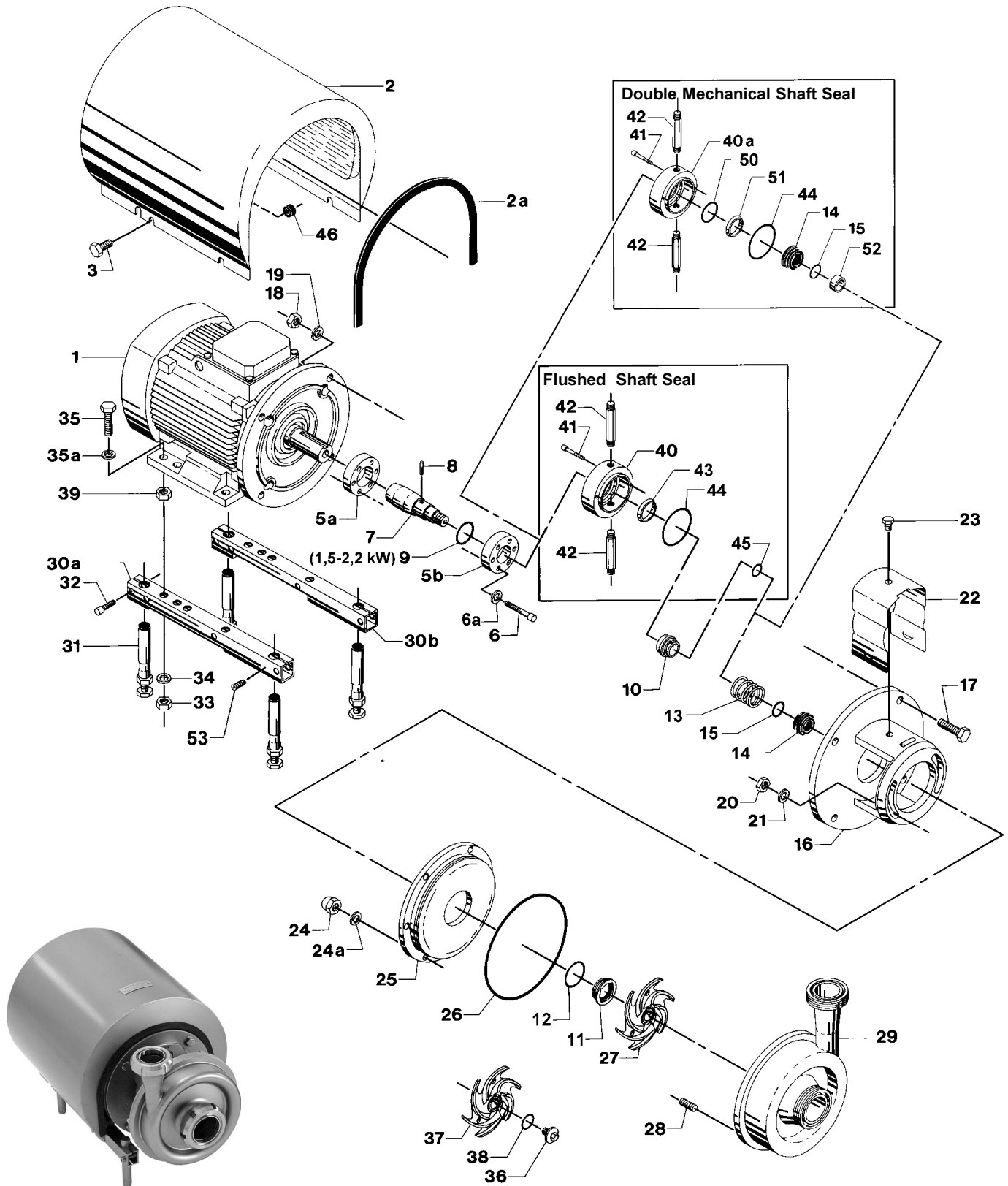
Pos.	Qty.	Denomination	3 kW	4 kW	5.5 kW	Pos.	Qty.	Denomination	3 kW	4 kW	5.5 kW
3	4	Screw	9611-99-3240	9611-99-3240	9611-99-3240	1	1	Motor, M2AA*		9612-4028-07	9612-4028-15
5a	1	Compression ring with thread	9612-1336-02	9612-1336-02	9612-1336-05	1	1	Motor, MT*	31801-1984-1		
5b	1	Compression ring without thread	9612-1337-02	9612-1337-02	9612-1337-05	1	1	Motor, M2AA**		9612-4028-09	9612-4028-17
6	6	Screw	9611-99-3196	9611-99-3196	9611-99-3197	1	1	Motor, MT**	31801-1984-2		
6a	6	Washer	9611-99-3199	9611-99-3199	9611-99-3199	2	1	Shroud complete	9612-1390-02	9612-1390-03	9612-1390-08
7	1	Shaft with internal/external thread and pin (pos. 8)	9612-1325-02	9612-1325-02	9612-1326-02	2a	1	Edge list (Included in pos. 2)			
8	1	Connex pin	9611-99-0622	9611-99-0622	9611-99-0622	* 3 ~, 50 Hz, 220-240V/380-420VY - Standard ≤ 4 kW ** 3 ~, 50 Hz, 380-420V/660-690VY - Standard ≥ 5.5 kW					
10	1	Drive ring, Single shaft seal	9612-1377-01	9612-1377-01	9612-1377-01	3 ~, 60 Hz, 250-280V/440-480VY - Standard ≤ 4.6 kW 3 ~, 50 Hz, 380-420V/660-690VY - Standard ≥ 6.3 kW					
10	1	Drive ring, Flushed shaft seal	9612-1397-01	9612-1397-01	9612-1397-01						
16	1	Adaptor	9612-3424-01	9612-3424-01	9612-3425-01						
17	4	Screw for adaptor	9611-99-1834	9611-99-1834	9611-99-2162						
18	4	Nut for adaptor	9611-99-0587	9611-99-0587	9611-99-0587						
19	4	Washer for adaptor	9611-99-0676	9611-99-0676	9611-99-0676						
20	2	Nut	9611-99-0353	9611-99-0353	9611-99-0353						
21	2	Washer	9611-99-2559	9611-99-2559	9611-99-2559						
22	1	Safety guard	9612-1311-06	9612-1311-06	9612-1311-07						
23	1	Screw for safety guard	9611-99-3239	9611-99-3239	9611-99-3239						
24	6	Cap nut	9611-99-2592	9611-99-2592	9611-99-2592						
24a	6	Washer	9611-99-1888	9611-99-1888	9611-99-1888						
25	1	Back plate	9612-1384-04	9612-1384-04	9612-1384-04						
26	1	O-ring, EPDM, (standard)	9611-99-2137	9611-99-2137	9611-99-2137						
26	1	O-ring, NBR	9611-99-2139	9611-99-2139	9611-99-2139						
26	1	O-ring, FPM	9611-99-2138	9611-99-2138	9611-99-2138						
26	1	O-ring, FEP	9611-99-2140	9611-99-2140	9611-99-2140						
27	1	Impeller	9612-4314-07	9612-4314-01	9612-4314-01						
28	6	Bolt	9611-99-2168	9611-99-2168	9611-99-2168						
29	1	Pump casing, IDF	9612-4924-01	9612-4924-01	9612-4924-01						
29	1	Pump casing, SMS	9612-4924-02	9612-4924-02	9612-4924-02						
29	1	Pump casing, DIN	9612-4924-03	9612-4924-03	9612-4924-03						
29	1	Pump casing, ISO	9612-4924-04	9612-4924-04	9612-4924-04						
29	1	Pump casing, BS	9612-4924-05	9612-4924-05	9612-4924-05						
29	1	Pump casing, flange DN100/DN80	9612-1360-08	9612-1360-08	9612-1360-08						
Legs											
30a	1	Support bar, right	9612-1322-05	9612-1322-05	9612-1322-06						
30b	1	Support bar, left	9612-1323-05	9612-1323-05	9612-1323-06						
31	4	Leg	9612-3967-01	9612-3967-01	9612-3967-01						
32	4	Screw (Period 9711)	9611-99-1126	9611-99-1126	9611-99-1126						
33	4	Screw (Period -9711)	9611-99-1907	9611-99-1907	9611-99-1907						
34	4	Nut	9611-99-0353	9611-99-0353	9611-99-0353						
34	4	Spring washer	9611-99-1887	9611-99-1887	9611-99-1887						
35	4	Screw	9611-99-1374	9611-99-1911	9611-99-1911						
35a	4	Washer	9611-99-0786	9611-99-0786	9611-99-0786						
39	4	Nut	9611-99-0587								
46	4	Distance sleeve			9611-99-2737						
Alternatives											
36	1	Impeller screw	9612-1396-01	9612-1396-01	9612-1396-01						
37	1	Impeller for impeller screw	9612-4314-08	9612-4314-02	9612-4314-02						
38	1	O-ring EPDM	9611-99-2145	9611-99-2145	9611-99-2145						
38	1	O-ring NBR	9611-99-2147	9611-99-2147	9611-99-2147						
38	1	O-ring FPM	9611-99-2146	9611-99-2146	9611-99-2146						
38	1	O-ring FEP	9611-99-2148	9611-99-2148	9611-99-2148						

Pos.	Qty.	Denomination	3 kW	4 kW	5.5 kW
1	1	Motor, M2AA*		9612-4028-07	9612-4028-15
1	1	Motor, MT*	31801-1984-1		
1	1	Motor, M2AA**		9612-4028-09	9612-4028-17
1	1	Motor, MT**	31801-1984-2		
2	1	Shroud complete	9612-1390-02	9612-1390-03	9612-1390-08
2a	1	Edge list (Included in pos. 2)			
* 3 ~, 50 Hz, 220-240V/380-420VY - Standard ≤ 4 kW ** 3 ~, 50 Hz, 380-420V/660-690VY - Standard ≥ 5.5 kW					
3 ~, 60 Hz, 250-280V/440-480VY - Standard ≤ 4.6 kW 3 ~, 50 Hz, 380-420V/660-690VY - Standard ≥ 6.3 kW					
Pos.	Qty.	Denomination	3-5.5 kW	Shaft Seal: See page 58 and 59	
Accessories					
1	1	Tool complete	9612-1371-01		
Parts for Flushed Shaft Seal					
40	1	Seal housing	9612-1339-01		
41	2	Screw for seal housing	9611-99-0203		
42	2	Tube	9612-3589-01		
Parts for Double Mechanical Shaft Seal					
40a	1	Seal housing	9612-1339-02		
41	2	Screw for seal housing	9611-99-0203		
42	2	Tube	9612-3589-01		
Service kit for single shaft seal					
		Service kit, EPDM	9611-92-2072		
		Service kit, NBR	9611-92-2073		
		Service kit, FPM	9611-92-2074		
		Service kit, FEP	9611-92-2075		
Service kit for single shaft seal and impeller screw					
		Service kit, EPDM	9611-92-2114		
		Service kit, NBR	9611-92-2115		
		Service kit, FPM	9611-92-2116		
		Service kit, FEP	9611-92-2117		
Service kit for flushed shaft seal					
		Service kit, EPDM	9611-92-2076		
		Service kit, NBR	9611-92-2077		
		Service kit, FPM	9611-92-2078		
		Service kit, FEP	9611-92-2079		
Service kit for flushed shaft seal and impeller screw					
		Service kit, EPDM	9611-92-2118		
		Service kit, NBR	9611-92-2119		
		Service kit, FPM	9611-92-2120		
		Service kit, FEP	9611-92-2121		
Service kit for double mechanical shaft seal					
		Service kit, EPDM	9611-92-2206		
		Service kit, NBR	9611-92-2207		
		Service kit, FPM	9611-92-2208		
		Service kit, FEP	9611-92-2209		
Service kit for double mechanical shaft seal and impeller screw					
		Service kit, EPDM	9611-92-2210		
		Service kit, NBR	9611-92-2211		
		Service kit, FPM	9611-92-2212		
		Service kit, FEP	9611-92-2213		
Parts marked with □/◇/○/*/!/● are included in the service kits.					
Recommended Spare Parts: Service kits.					
Conversion kit, single to flushed shaft seal 9611-92-2042 = Pos. 10+40+41+42+43+44+45					
Conversion kit, single to double mechanical shaft seal 9611-92-2175 = Pos. 14+15+40a+41+42+44+50+51+52. SIC/SIC = 9611-92-2302					
Conversion kit, flushed to double mechanical shaft seal 9611-92-2176 = Pos. 14+40a+50+51+52					

Surface roughness, product wetted parts: Ra ≤ 0.8 µm

Pos.	Qty.	Denomination	3 kW	4-5.5 kW
25	1	Back plate	9612-1384-20	9612-1384-20
27	1	Impeller	9612-4314-09	9612-4314-05
29	1	Pump casing, IDF	9612-4925-01	9612-4925-01
29	1	Pump casing, SMS	9612-4925-02	9612-4925-02
29	1	Pump casing, DIN	9612-4925-03	9612-4925-03
29	1	Pump casing, ISO	9612-4925-04	9612-4925-04
29	1	Pump casing, BS	9612-4925-05	9612-4925-05
Alternatives				
36	1	Impeller screw	9612-1396-03	9612-1396-03
37	1	Impeller for impeller screw	9612-4314-10	9612-4314-06

Centrifugal Pump, Type LKH-20
Single, flushed and double mechanical shaft seal



Centrifugal Pump, Type LKH-20

Single, flushed and double mechanical shaft seal



Pos.	Qty.	Denomination	1.5-2.2 kW	3 kW	4 kW	5.5-7.5 kW	Pos.	Qty.	Denomination	1.5 kW	2.2 kW	3 kW	4 kW	5.5 kW	7.5 kW	
3	4	Screw	9611-99-3240	9611-99-3240	9611-99-3240	9611-99-3240	1	1	Motor, M2AA**					9612-4028-07	9612-4028-15	9612-4028-30
5a	1	Compression ring with thread	9612-1336-01	9612-1336-02	9612-1336-02	9612-1336-05	1	1	Motor, MT/MBT**	31801-1982-1	31801-1983-1	31801-1984-1		*31801-1985-1	*31801-1865-1	*31801-1866-1
5b	1	Compression ring without thread	9612-1337-01	9612-1337-02	9612-1337-02	9612-1337-05	1	1	Motor, M2AA**					9612-4028-09	9612-4028-17	9612-4028-32
6	6	Screw	9611-99-3196	9611-99-3196	9611-99-3196	9611-99-3197	1	1	Motor, MT/MBT**	31801-1982-2	31801-1983-2	31801-1984-2		*31801-1985-3	*31801-1865-3	*31801-1866-3
6a	6	Washer	9611-99-3199	9611-99-3199	9611-99-3199	9611-99-3199	2	1	Shroud complete (Period 9310-)					9612-1390-08	9612-1390-08	9612-1390-08
7	1	Shaft with internal/external thread and pin (pos. 8)		9612-1325-02	9612-1325-02	9612-1326-02	1	1	Shroud complete (*Period 9009-9310)	9612-1390-01	9612-1390-01	9612-1390-02	9612-1390-03	*9612-1390-04	*9612-1390-04	*9612-1390-04
	1	Shaft with internal/external thread, pin (pos. 8) and retaining ring (pos. 9)	9612-1324-02				2a	1	Edge list (included in pos. 2)							
8	1	Connex pin	9611-99-0622	9611-99-0622	9611-99-0622	9611-99-0622	* MBT motor (Period 9009-9310). Not available anymore.									
9	1	Retaining ring	9611-99-2307				** 3 ~, 50 Hz, 220-240VA/380-420VY - Standard ≤ 4 kW *** 3 ~, 50 Hz, 380-420VA/660-690VY - Standard ≥ 5.5 kW									
10	1	Drive ring, Single shaft seal	9612-1377-01	9612-1377-01	9612-1377-01	9612-1377-01	3 ~, 60 Hz, 250-280VA/440-480VY - Standard ≤ 4.6 kW 3 ~, 60 Hz, 440-480VA - Standard ≥ 6.3 kW									
11	1	Drive ring, Flushed shaft seal	9612-1397-01	9612-1397-01	9612-1397-01	9612-1397-01	Pos. Qty. Denomination									
16	1	Adaptor	9612-3423-01	9612-3424-01	9612-3424-01	9612-3425-01	1.5-7.5 kW									
17	4	Screw for adaptor	9611-99-2161	9611-99-1834	9611-99-1834	9611-99-2162	Shaft Seal: See page 58 and 59									
18	4	Nut for adaptor	9611-99-0353	9611-99-0587	9611-99-0587	9611-99-0587	Accessories									
19	4	Washer for adaptor	9611-99-1887	9611-99-0676	9611-99-0676	9611-99-0676	1 Tool complete 9612-1371-01									
20	2	Nut	9611-99-0353	9611-99-0353	9611-99-0353	9611-99-0353	Parts for Flushed Shaft Seal									
21	2	Washer	9611-99-2559	9611-99-2559	9611-99-2559	9611-99-2559	40 1 Seal housing 9612-1339-01									
22	1	Safety guard	9612-1311-05	9612-1311-06	9612-1311-06	9612-1311-07	41 2 Screw for seal housing 9611-99-0203									
23	1	Screw for safety guard	9611-99-3239	9611-99-3239	9611-99-3239	9611-99-3239	42 2 Tube 9612-3589-01									
24	6	Cap nut (Period 9211-)	9611-99-2592	9611-99-2592	9611-99-2592	9611-99-2592	Parts for Double Mechanical Shaft Seal									
24a	6	Handle (Period 9210)	9611-99-2302	9611-99-2302	9611-99-2302	9611-99-2302	40a 1 Seal housing 9612-1339-02									
26	1	O-ring, EPDM (standard)	9611-99-2141	9611-99-2141	9611-99-2141	9611-99-2141	41 2 Screw for seal housing 9611-99-0203									
26	1	O-ring, NBR	9611-99-2143	9611-99-2143	9611-99-2143	9611-99-2143	42 2 Tube 9612-3589-01									
27	1	O-ring, FPM	9611-99-2142	9611-99-2142	9611-99-2142	9611-99-2142	Service kit for single shaft seal									
27	1	O-ring, FEP	9611-99-2144	9611-99-2144	9611-99-2144	9611-99-2144	□ Service kit, EPDM 9611-92-2080									
27	1	Impeller	9612-1314-07	9612-1314-07	9612-1314-01	9612-1314-01	□ Service kit, NBR 9611-92-2081									
28	6	Bolt	9611-99-2168	9611-99-2168	9611-99-2168	9611-99-2168	□ Service kit, FPM 9611-92-2082									
29	1	Pump casing, IDF	9612-1398-06	9612-1398-06	9612-1398-06	9612-1398-06	□ Service kit, FEP 9611-92-2083									
31	4	Pump casing, SMS	9612-1398-07	9612-1398-07	9612-1398-07	9612-1398-07	Service kit for single shaft seal and impeller screw									
32	4	Pump casing, DIN	9612-1398-08	9612-1398-08	9612-1398-08	9612-1398-08	◆ Service kit, EPDM 9611-92-2122									
33	4	Pump casing, ISO	9612-1398-09	9612-1398-09	9612-1398-09	9612-1398-09	◆ Service kit, NBR 9611-92-2123									
34	4	Pump casing, BS	9612-1398-10	9612-1398-10	9612-1398-10	9612-1398-10	◆ Service kit, FPM 9611-92-2124									
35a	4	Washer	9611-99-0786	9611-99-0786	9611-99-0786	9611-99-0786	◆ Service kit, FEP 9611-92-2125									
39	4	Nut	9611-99-0587				Service kit for flushed shaft seal									
46	4	Distance sleeve (Period 9310)				9611-99-2737	○ Service kit, EPDM 9611-92-2084									
Legs																
30a	1	Support bar, right (Period 9310-)				9612-1322-06	○ Service kit, NBR 9611-92-2085									
30a	1	Support bar, right (*Period 9009-9310)	9612-1322-01	9612-1322-05	9612-1322-05	*9612-1322-02	○ Service kit, FPM 9611-92-2086									
30b	1	Support bar, left (Period 9310-)				9612-1323-06	○ Service kit, FEP 9611-92-2087									
31	4	Support bar, left (*Period 9009-9310)	9612-1323-01	9612-1323-05	9612-1323-05	*9612-1323-02	Service kit for flushed shaft seal and impeller screw									
32	4	Leg	9612-3967-01	9612-3967-01	9612-3967-01	9612-3967-01	* Service kit, EPDM 9611-92-2126									
32	4	Screw (Period 9711-)	9611-99-1126	9611-99-1126	9611-99-1126	9611-99-1126	* Service kit, NBR 9611-92-2127									
33	4	Screw (period 9711)	9611-99-1907	9611-99-1907	9611-99-1907	9611-99-1907	* Service kit, FPM 9611-92-2128									
34	4	Nut	9611-99-0360	9611-99-0353	9611-99-0353	9611-99-0353	* Service kit, FEP 9611-92-2129									
34	4	Spring washer	9611-99-1888	9611-99-1887	9611-99-1887	9611-99-1887	Service kit for double mechanical shaft seal									
35	4	Screw	9611-99-1176	9611-99-1374	9611-99-1911	9611-99-1911	◇ Service kit, EPDM 9611-92-2214									
35a	4	Washer	9611-99-0786	9611-99-0786	9611-99-0786	9611-99-0786	◇ Service kit, NBR 9611-92-2215									
39	4	Nut	9611-99-0587				◇ Service kit, FPM 9611-92-2216									
46	4	Distance sleeve (Period 9310)				9611-99-2737	◇ Service kit, FEP 9611-92-2217									
Alternatives																
36	1	Impeller screw	9612-1396-01	9612-1396-01	9612-1396-01	9612-1396-01	Service kit for double mechanical shaft seal and impeller screw									
37	1	Impeller for impeller screw	9612-1314-08	9612-1314-08	9612-1314-02	9612-1314-02	● Service kit, EPDM 9611-92-2218									
38	1	O-ring EPDM	9611-99-2145	9611-99-2145	9611-99-2145	9611-99-2145	● Service kit, NBR 9611-92-2219									
38	1	O-ring NBR	9611-99-2147	9611-99-2147	9611-99-2147	9611-99-2147	● Service kit, FPM 9611-92-2220									
38	1	O-ring FPM	9611-99-2146	9611-99-2146	9611-99-2146	9611-99-2146	● Service kit, FEP 9611-92-2221									
38	1	O-ring FEP	9611-99-2148	9611-99-2148	9611-99-2148	9611-99-2148	Parts marked with □/◇/○/*/-/● are included in the service kits.									

Surface roughness, product wetted parts: Ra ≤ 0.8 μm

Pos.	Qty.	Denomination	1.5-3 kW	4-7.5 kW
25	1	Back plate	9612-1384-21	9612-1384-21
27	1	Impeller	9612-1314-09	9612-1314-05
29	1	Pump casing, IDF	9612-4572-06	9612-4572-06
1	1	Pump casing, SMS	9612-4572-07	9612-4572-07
1	1	Pump casing, DIN	9612-4572-08	9612-4572-08
1	1	Pump casing, ISO	9612-4572-09	9612-4572-09
1	1	Pump casing, BS	9612-4572-10	9612-4572-10
Alternatives				
36	1	Impeller screw	9612-1396-03	9612-1396-03
37	1	Impeller for impeller screw	9612-1314-10	9612-1314-06

Conversion kit, single to flushed shaft seal 9611-92-2042 = Pos. 10+40+41+42+43+44+45

Conversion kit, single to double mechanical shaft seal 9611-92-2175 = Pos. 14+15+40a+41+42+44+45+50+51+52. SIC/SIC = 9611-92-2302

Conversion kit, flushed to double mechanical shaft seal 9611-92-2176 = Pos. 14+40a+50+51+52