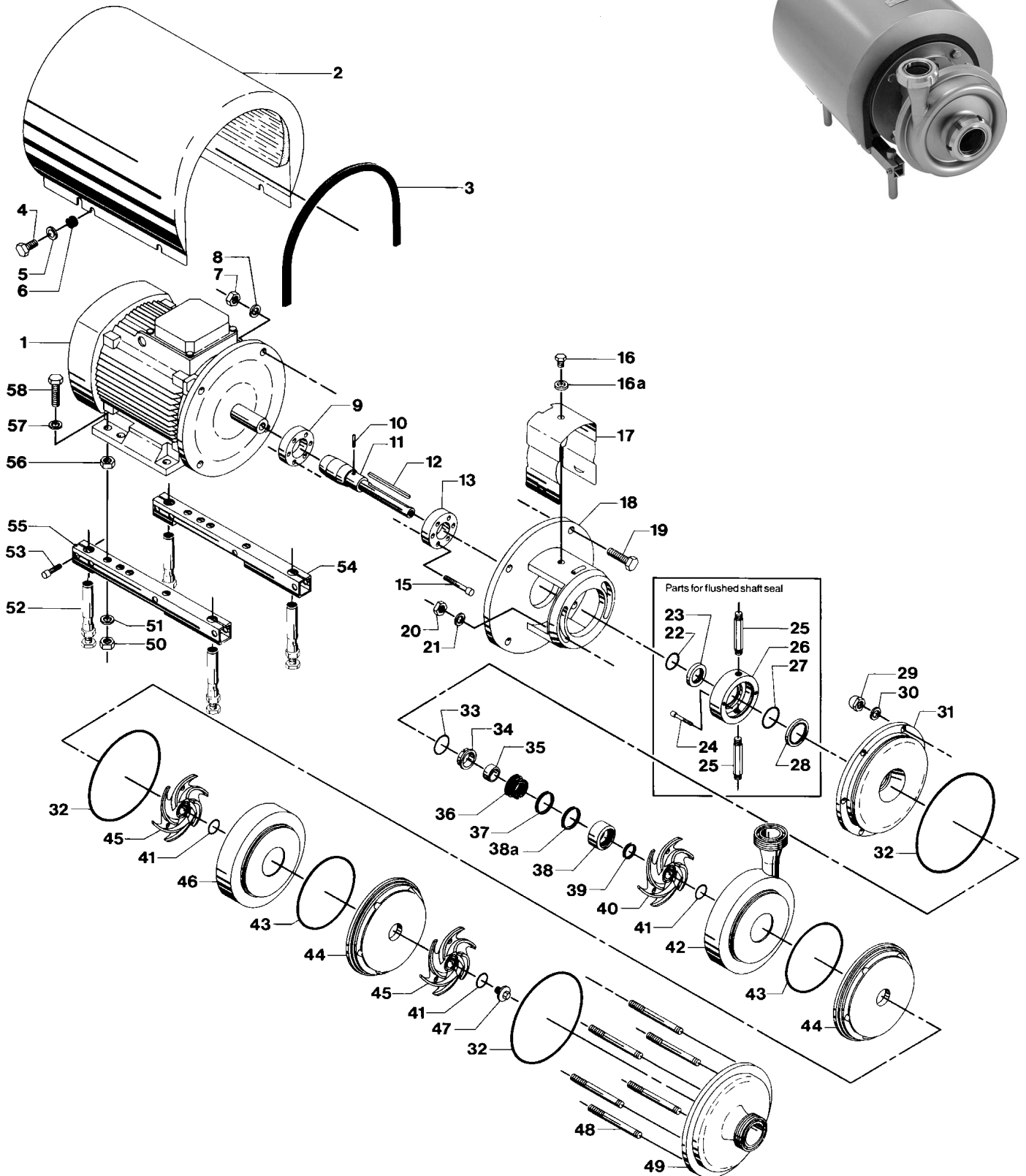


**Multi-Stage Centrifugal Pump, Type LKH-113
Single and Flushed Shaft Seal**



FREEFAX:

0800 801404



Multi-Stage Centrifugal Pump, Type LKH-113 Single and Flushed Shaft Seal



Pos.	Qty.	Denomination	3 kW	4 kW	5.5-7.5 kW	11-18.5 kW
4	4	Screw	9611-99-1824	9611-99-1824	9611-99-1824	9611-99-1176
5	4	Washer	9611-99-1831	9611-99-1831	9611-99-1831	9611-99-1831
6	4	Spacing sleeve			9611-99-2737	31438-0390-2
7	4	Nut for adaptor	9611-99-0587	9611-99-0587	9611-99-0587	9611-99-2160
8	4	Washer for adaptor	9611-99-0676	9611-99-0676	9611-99-0676	9611-99-1886
9	1	Compression ring with thread	9612-1336-02	9612-1336-02	9612-1336-05	9612-1336-03
10	1	Connex pin for flushed shaft seal	9611-99-0622	9611-99-0622	9611-99-0622	9611-99-0622
11	1	Shaft for single shaft seal	9612-3619-02	9612-3619-02	9612-3620-02	9612-3621-02
	1	Shaft with pin (pos.10) for flushed shaft seal	9612-3619-04	9612-3619-04	9612-3620-05	9612-3621-05
12	1	Key	9611-99-2757	9611-99-2757	9611-99-2757	9611-99-2757
13	1	Compression ring without thread	9612-1337-02	9612-1337-02	9612-1337-05	9612-1337-03
15	6	Screw	9611-99-3196	9611-99-3196	9611-99-3197	9611-99-3198
15a	6	Washer	9611-99-3199	9611-99-3199	9611-99-3199	9611-99-3199
16	1	Screw for adaptor guard	9611-99-2258	9611-99-2258	9611-99-2258	9611-99-2258
16a	1	Washer	9611-99-0752	9611-99-0752	9611-99-0752	9611-99-0752
17	1	Adaptor guard	9612-1311-06	9612-1311-06	9612-1311-07	9612-1311-08
18	1	Adaptor	9612-3424-01	9612-3424-01	9612-3425-01	9612-3426-01
19	4	Screw for adaptor	9611-99-1834	9611-99-1834	9611-99-2162	9611-99-2163
20	2	Nut	9611-99-0353	9611-99-0353	9611-99-0353	9611-99-0353
21	2	Washer	9611-99-2559	9611-99-2559	9611-99-2559	9611-99-2559
29	6	Cap nut	9611-99-2593	9611-99-2593	9611-99-2593	9611-99-2593
30	6	Washer	9611-99-1887	9611-99-1887	9611-99-1887	9611-99-1887
31	1	Back plate (LKH-113 0-10 bar)	9612-3892-08	9612-3892-08	9612-3892-08	9612-3892-08
	1	Back plate (LKH-113/P 10-40 bar)	9612-3892-14	9612-3892-14	9612-3892-14	9612-3892-14
32A	3	O-ring, EPDM (standard)	9611-99-2744	9611-99-2744	9611-99-2744	9611-99-2744
	3	O-ring, NBR	9611-99-2745	9611-99-2745	9611-99-2745	9611-99-2745
	3	O-ring, FPM	9611-99-2746	9611-99-2746	9611-99-2746	9611-99-2746
35	1	Spacing ring	9612-3625-01	9612-3625-01	9612-3625-01	9612-3625-01
38	1	Rotating seal housing	9612-3624-01	9612-3624-01	9612-3624-01	9612-3624-01
40	1	Impeller	9612-3604-01	9612-3604-01	9612-3604-01	9612-3604-01
41A	3	O-ring, EPDM (standard)	9611-99-2750	9611-99-2750	9611-99-2750	9611-99-2750
	3	O-ring, NBR	9611-99-2751	9611-99-2751	9611-99-2751	9611-99-2751
	3	O-ring, FPM	9611-99-2752	9611-99-2752	9611-99-2752	9611-99-2752
42	1	Pump casing, IDF	9612-3889-01	9612-3889-01	9612-3889-01	9612-3889-01
	1	Pump casing, SMS	9612-3889-02	9612-3889-02	9612-3889-02	9612-3889-02
	1	Pump casing, DIN	9612-3889-03	9612-3889-03	9612-3889-03	9612-3889-03
	1	Pump casing, ISO	9612-3889-04	9612-3889-04	9612-3889-04	9612-3889-04
	1	Pump casing, BS	9612-3889-05	9612-3889-05	9612-3889-05	9612-3889-05
	1	Pump casing, flange DN40	9612-3894-01	9612-3894-01	9612-3894-01	9612-3894-01
43A	2	O-ring, EPDM (standard)	9611-99-2747	9611-99-2747	9611-99-2747	9611-99-2747
	2	O-ring, NBR	9611-99-2748	9611-99-2748	9611-99-2748	9611-99-2748
	2	O-ring, FPM	9611-99-2749	9611-99-2749	9611-99-2749	9611-99-2749
44	2	Guide vanes	9612-3613-01	9612-3613-01	9612-3613-01	9612-3613-01
45	2	Impeller	9612-3605-01	9612-3605-01	9612-3605-01	9612-3605-01
46	1	Intermediate casing	9612-3610-01	9612-3610-01	9612-3610-01	9612-3610-01
47	1	Impeller screw	9612-3627-01	9612-3627-01	9612-3627-01	9612-3627-01
48	6	Bolt	9612-3635-02	9612-3635-02	9612-3635-02	9612-3635-02
49	1	Pump cover, IDF	9612-3893-01	9612-3893-01	9612-3893-01	9612-3893-01
	1	Pump cover, SMS	9612-3893-02	9612-3893-02	9612-3893-02	9612-3893-02
	1	Pump cover, DIN	9612-3893-03	9612-3893-03	9612-3893-03	9612-3893-03
	1	Pump cover, ISO	9612-3893-04	9612-3893-04	9612-3893-04	9612-3893-04
	1	Pump cover, BS	9612-3893-05	9612-3893-05	9612-3893-05	9612-3893-05
	1	Pump cover, flange DN50	9612-3895-01	9612-3895-01	9612-3895-01	9612-3895-01
Legs						
50	4	Nut	9611-99-0353	9611-99-0353	9611-99-0353	9611-99-0587
51	4	Spring washer	9611-99-1887	9611-99-1887	9611-99-1887	9611-99-0676
52	4	Leg	9612-3967-01	9612-3967-01	9612-3967-01	9612-3967-01
53	4	Screw (Period 9711-)	9611-99-0273	9611-99-0273	9611-99-0273	9611-99-0273
	4	Screw (Period -9711)	9611-99-1907	9611-99-1907	9611-99-1907	9611-99-1907
54	1	Support bar, left	9612-1323-05	9612-1323-05	9612-1323-06	9612-1323-03
55	1	Support bar, right	9612-1322-05	9612-1322-05	9612-1322-06	9612-1322-03
56	4	Nut	9611-99-0587			
57	4	Washer	9611-99-0786	9611-99-0786	9611-99-0786	9611-99-0706
58	4	Screw	9611-99-1374	9611-99-1911	9611-99-1911	9611-99-1834