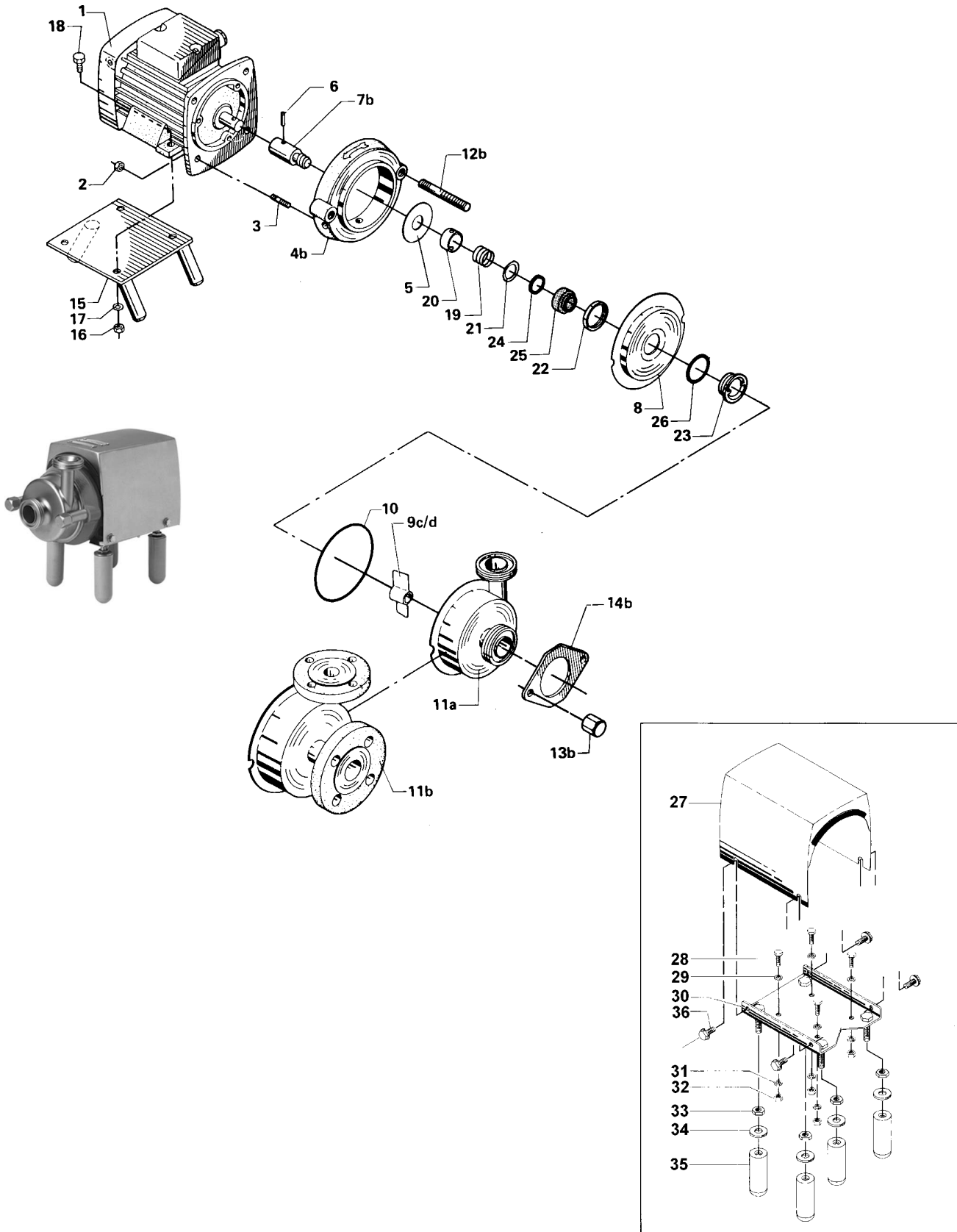


**Centrifugal Pump
Type GM-A**



Centrifugal Pump Type GM-A



Pos.	Qty.	Denomination	GM-1A & 2A	Pos.	Qty.	Denomination	GM-1A & 2A	Pos.	Qty.	Denomination	GM-1 & 2
1	1	Motor 0.55 kW 220-240/380-420 V (Standard)	31801-2461-1	Δ Shaft seal, complete, NBR (Standard)			9612-4391-01			Alternatives	
2	4	Nut	2218043-03	19	1	Spring	104154	19	1	Shaft seal, complete, NBR (Standard)	9612-4391-05
3	4	Stud bolt	2216221-03	20	1	Spacer	31437-0212-1	20	1	Spring	104154
4b	1	Adaptor	31456-0040-1	21	1	Washer	104125	21	1	Spacer	31437-0212-1
5	1	Thrower	31437-0038-1	23	1	Stationary seal ring SiC	31437-0225-1	21	1	Washer	104125
6	1	Tubular spring pin	222119-20	24	1	O-ring	31439-0168-1	23	1	Stationary seal ring SiC	31437-0225-1
7b	1	Pump shaft	31456-0044-1	25	1	Rotating seal ring	31437-0211-1	24	1	O-ring	31439-0168-1
8	1	Back plate	31456-0035-1	26	1	Seal, NBR	31437-0121-1	25	1	Rotating seal ring SiC	31437-0211-4
9c*	1	Impeller GMI-1A, ø95 mm (standard)	9612-1868-02	Δ Shaft seal, complete, EPDM			9612-4391-03	26	1	Seal, NBR	31437-0121-1
		(AISI 316)		19	1	Spring	104154			Shaft seal, complete, EPDM	9612-4391-07
	1	Impeller GMI-1A, 4 bladed, ø95 mm	9612-3550-01	20	1	Spacer	31437-0212-1	19	1	Spring	104154
9d*	1	Impeller GMI-2A, ø115 mm (standard)	9612-1868-01	21	1	Washer	104125	20	1	Spacer	31437-0212-1
		(AISI 316)		23	1	Stationary seal ring SiC	31437-0225-1	21	1	Washer	104125
	1	Impeller GMI-2A, 4 bladed, ø115 mm	9612-3549-01	24	1	O-ring	31439-0168-4	23	1	Stationary seal ring SiC	31437-0225-1
10Δ	1	O-ring, NBR (Standard)	223412-75	25	1	Rotating seal ring	31437-0211-1	24	1	O-ring	31439-0168-4
	1	O-ring, EPDM	2234121-75	26	1	Seal, PTFE	31437-0121-3	25	1	Rotating seal ring SiC	31437-0211-4
	1	O-ring, FPM	223412-76	Δ Shaft seal, complete, FPM			9612-4391-04	26	1	Seal, PTFE	31437-0121-3
	1	O-ring, PTFE	31456-0060-1	19	1	Spring	104154			Shaft seal, complete, FPM	9612-4391-08
11a	1	Pump casing with sanitary fittings 38 mm inlet and outlet		20	1	Spacer	31437-0212-1	19	1	Spring	104154
		ISO male	31456-0050-1	21	1	Washer	104125	20	1	Spacer	31437-0212-1
		SMS	31456-0050-2	23	1	Stationary seal ring SiC	31437-0225-1	21	1	Washer	104125
		DIN	31456-0050-3	24	1	O-ring	31439-0168-5	23	1	Stationary seal ring SiC	31437-0225-1
		ISO clamp	31456-0050-4	25	1	Rotating seal ring	31437-0211-1	24	1	O-ring	31439-0168-5
		BS	31456-0050-5	26	1	Seal, PTFE	31437-0121-3	25	1	Rotating seal ring SiC	31437-0211-4
11b	1	Pump casing with flanges DN 32 inlet/DN 25 outlet	31456-0068-1	Δ Shaft seal, complete, PTFE			9612-4391-02	26	1	Seal, PTFE	31437-0121-3
		Stud bolt	9612-3635-05	19	1	Spring	104154			Shaft seal, complete, PTFE	9612-4391-06
12b	2	Cap nut	110102	20	1	Spacer	31437-0212-1	19	1	Spring	104154
13b	2	Yoke	31457-0050-1	21	1	Washer	104125	20	1	Spacer	31437-0212-1
14b	1	Legs, complete (not standard)	31456-0028-1	23	1	Stationary seal ring sic	31437-0225-1	21	1	Washer	104125
15	1	Nut	2218043-02	24	1	O-ring	31439-0168-3	23	1	Stationary seal ring SiC	31437-0225-1
16	4	Washer	223101-48	25	1	Rotating seal ring	31437-0211-1	24	1	O-ring	31439-0168-3
17	4	Screw	2210935-01	26	1	Seal, PTFE	31437-0121-3	25	1	Rotating seal ring SiC	31437-0211-4
18	4	Nut	31437-0120-1	Δ		Service kit, NBR	9611-92-1046	26	1	Seal, PTFE	31437-0121-3
22	1			Δ		Service kit, EPDM	9611-92-1047				
				Δ		Service kit, FPM	9611-92-1048				
				Δ		Service kit, PTFE	9611-92-1049				

* Sometimes reduced impeller diameter. Check the diameter of the original impeller.

Parts marked with Δ are included in the Service kits.

Shroud and legs

27	1	Shroud complete	31456-0131-1
28	4	Screw	9611-99-0456
29	4	Washer	9611-99-0752
30	1	Mounting frame complete	31456-0132-1
31	4	Washer	22310725
32	4	Nut	9611-99-0252
33	4	Nut	9611-99-1829
34	4	Washer	31460-0104-1
35	4	Legs	31460-1248-1
36	4	Screw	9611-99-3240

Optional extras:

Shroud and legs kit	9611-92-1044
---------------------	--------------

Recommended spare parts: Service kit