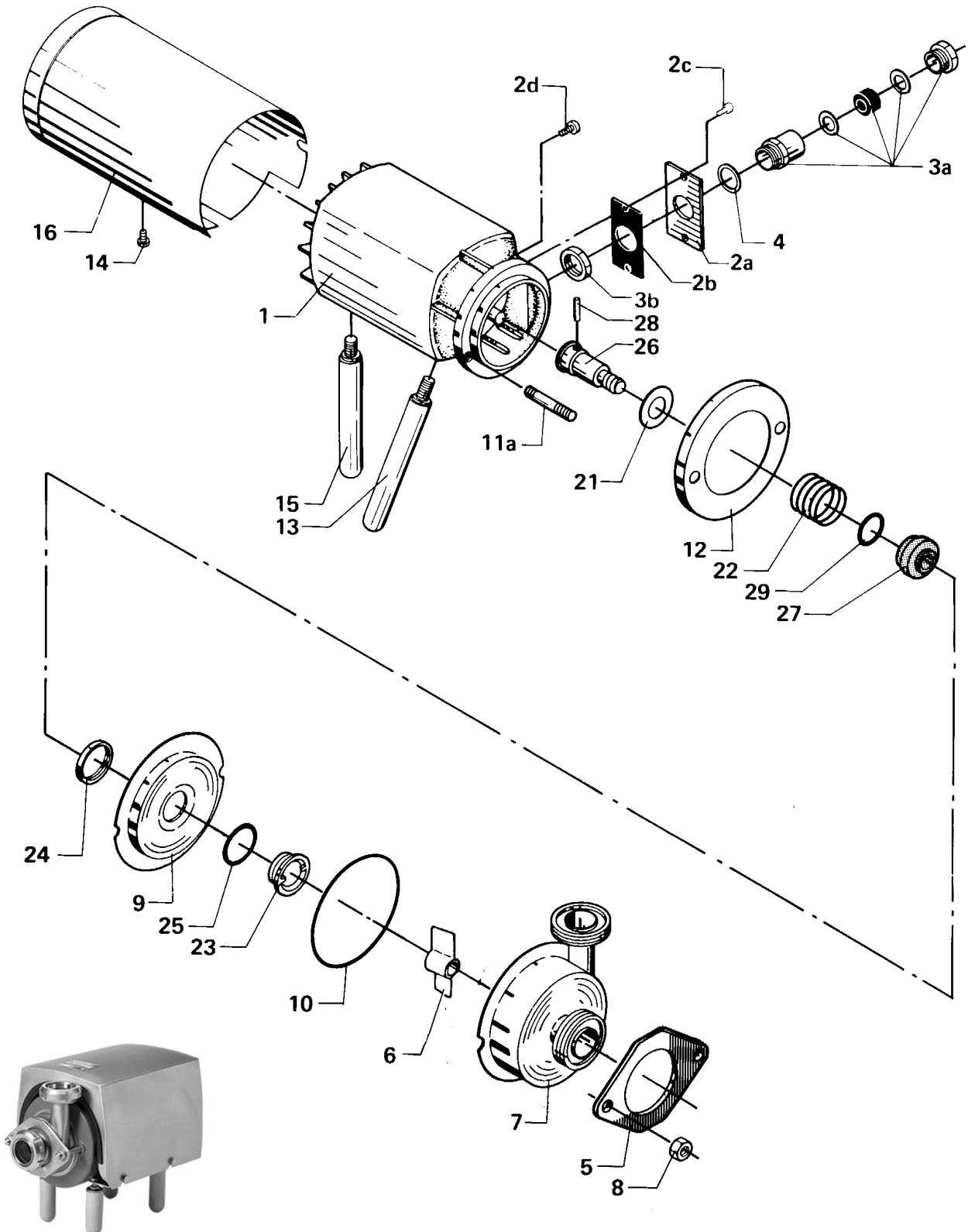


Centrifugal Pump – Single Shaft Seal  
Type FM-0



## Centrifugal Pump – Single Shaft Seal Type FM-0



Pos.	Qty.	Denomination	FM-0/95 FM-0/115
1	1	Motor 1.1 kW, 220/380 V .....	31457-0060-1
	1	Motor 1.1 kW, 240/420 V .....	31457-0060-2
2a	1	Cover .....	31457-0023-1
2b	1	Packing .....	31457-0024-1
2c	2	Screw .....	221120-03
2d	1	Setscrew for earth wire .....	221533-09
3a	1	Compression gland 18.6 mm .....	31801-0154-3
3b	1	Lock nut .....	31801-0221-2
4	1	Packing .....	31457-0052-1
5	1	Yoke .....	31457-0050-1
6*	1	Impeller, diameter 95 mm (standard) ..	9612-1868-02
	1	Impeller 4 bladed, diameter 95 mm .....	9612-3550-01
	1	Impeller, diameter 115 mm (standard)	9612-1868-01
	1	Impeller 4 bladed, diameter 115 mm ...	9612-3549-01
7	1	Pump casing with sanitary fittings 51 mm inlet and outlet	
		ISO male .....	31457-0038-1
		SMS .....	31457-0038-2
		DIN .....	31457-0038-3
		ISO clamp .....	31457-0038-4
		BS .....	31457-0038-5
8	2	Nut .....	9611-99-0587
9	1	Back plate .....	31456-0035-1
10Δ	1	O-ring, NBR (Standard) .....	223412-75
	1	O-ring, EPDM .....	2234121-75
	1	O-ring, FPM .....	223412-76
	1	O-ring, PTFE .....	31456-0060-1
11a	2	Stud bolt .....	31457-0051-1
12	1	Cover plate .....	31457-0013-1
13	2	Front leg .....	31457-0037-1
14	2	Screw .....	2210936-43
15	1	Back leg .....	31457-0037-2
16	1	Shroud .....	31457-0049-1
21	1	Thrower .....	31457-0025-1
24	1	Nut .....	31437-0120-1
26	1	Pump shaft .....	31457-0015-1
28	1	Tubular spring pin .....	222119-27

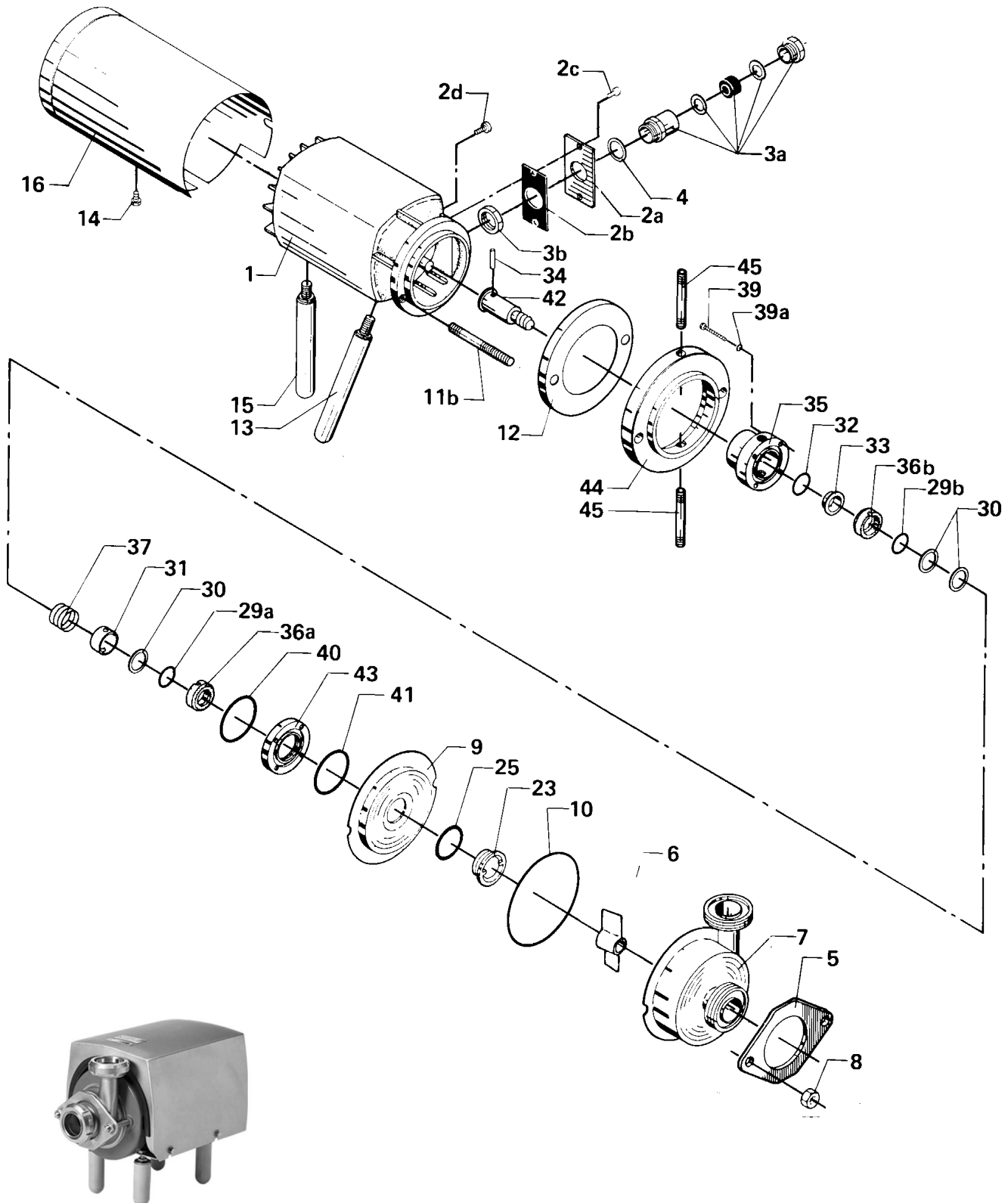
\* Sometimes reduced impeller diameter. Check the diameter of the original impeller.

Δ	<b>Service kit, NBR. ....</b>	<b>9611-92-1050</b>
Δ	<b>Service kit, EPDM. ....</b>	<b>9611-92-1051</b>
Δ	<b>Service kit, FPM. ....</b>	<b>9611-92-1052</b>
Δ	<b>Service kit, PTFE. ....</b>	<b>9611-92-1053</b>

Parts marked with Δ are included in the Service kits.

Pos.	Qty.	Denomination	FM-0/95 FM-0/115
		Δ Shaft seal, complete, NBR (Standard) .....	9612-4392-01
22	1	Spring .....	31438-0057-1
23	1	Stationary seal ring SiC .....	31437-0225-1
25	1	Seal .....	31437-0121-1
27	1	Rotating seal ring .....	31439-0165-1
29	1	O-ring .....	31439-0168-1
		Δ Shaft seal, complete, EPDM .....	9612-4392-03
22	1	Spring .....	31438-0057-1
23	1	Stationary seal ring SiC .....	31437-0225-1
25	1	Seal .....	31437-0121-3
27	1	Rotating seal ring .....	31439-0165-1
29	1	O-ring .....	31439-0168-4
		Δ Shaft seal, complete, FPM .....	9612-4392-04
22	1	Spring .....	31438-0057-1
23	1	Stationary seal ring SiC .....	31437-0225-1
25	1	Seal .....	31437-0121-3
27	1	Rotating seal ring .....	31439-0165-1
29	1	O-ring .....	31439-0168-5
		Δ Shaft seal, complete, PTFE .....	9612-4392-02
22	1	Spring .....	31438-0057-1
23	1	Stationary seal ring SiC .....	31437-0225-1
25	1	Seal .....	31437-0121-3
27	1	Rotating seal ring .....	31439-0165-1
29	1	O-ring .....	31439-0168-3
<b>Alternatives</b>			
		Shaft seal, complete, NBR (Standard) .....	9612-4392-05
22	1	Spring .....	31438-0057-1
23	1	Stationary seal ring SiC .....	31437-0225-1
25	1	Seal .....	31437-0121-1
27	1	Rotating seal ring SiC .....	31439-0165-4
29	1	O-ring .....	31439-0168-1
		Shaft seal, complete, EPDM .....	9612-4392-07
22	1	Spring .....	31438-0057-1
23	1	Stationary seal ring SiC .....	31437-0225-1
25	1	Seal .....	31437-0121-3
27	1	Rotating seal ring SiC .....	31439-0165-4
29	1	O-ring .....	31439-0168-4
		Shaft seal, complete, FPM .....	9612-4392-08
22	1	Spring .....	31438-0057-1
23	1	Stationary seal ring SiC .....	31437-0225-1
25	1	Seal .....	31437-0121-3
27	1	Rotating seal ring SiC .....	31439-0165-4
29	1	O-ring .....	31439-0168-5
		Shaft seal, complete, PTFE .....	9612-4392-06
22	1	Spring .....	31438-0057-1
23	1	Stationary seal ring SiC .....	31437-0225-1
25	1	Seal .....	31437-0121-3
27	1	Rotating seal ring SiC .....	31439-0165-4
29	1	O-ring .....	31439-0168-3

Centrifugal Pump – Flushed Shaft Seal  
Type FM-0



## Centrifugal Pump – Flushed Shaft Seal Type FM-0



Pos.	Qty.	Denomination	FM-0/95 FM-0/115	Pos.	Qty.	Denomination	FM-0/95 FM-0/110	Pos.	Qty.	Denomination	FM-0/95 FM-0/110
1	1	Motor 1.1 kW, 220/380 V .....	31457-0060-1	Δ Shaft seal, complete, NBR (Standard) .....			9612-4393-01	<b>Alternatives</b>			
	1	Motor 1.1 kW, 240/420 V .....	31457-0060-2	23 1 Stationary seal ring SiC .....			31437-0225-1	Shaft seal, complete, NBR (Standard) .....			9612-4393-05
2a	1	Cover .....	31457-0023-1	25 1 Seal .....			31437-0121-1	23 1 Stationary seal ring SiC .....			31437-0225-1
2b	1	Packing .....	31457-0024-1	29a 1 O-ring, front .....			31439-0168-1	25 1 Seal .....			31437-0121-1
2c	2	Screw .....	221120-03	29b 1 O-ring, back .....			31439-0168-1	29a 1 O-ring, front .....			31439-0168-1
2d	1	Setscrew for earth wire .....	221533-03	30 3 Washer .....			104125	29b 1 O-ring, back .....			31439-0168-1
3a	1	Compression gland 18.6 mm .....	31801-0154-3	31 1 Spacer .....			31437-0212-1	30 3 Washer .....			104125
3b	1	Lock nut .....	31801-0221-2	32 1 O-ring .....			223406-51	31 1 Spacer .....			31437-0212-1
4	1	Packing .....	31457-0052-1	33 1 Stationary seal ring .....			31450-0007-1	32 1 O-ring .....			223406-51
5	1	Yoke .....	31457-0050-1	36a+b 2 Rotating seal ring .....			31437-0211-1	33 1 Stationary seal ring .....			31450-0007-1
6*	1	Impeller, diameter 95 mm (standard) .....	9612-1868-02	37 1 Spring .....			104154	36a 1 Rotating seal ring SiC .....			31437-0211-4
	1	Impeller 4 bladed, diameter 95 mm .....	9612-3550-01	40 1 O-ring .....			223406-60	36b 1 Rotating seal ring .....			31437-0211-1
	1	Impeller, diameter 115 mm (standard) .....	9612-1868-01	41 1 O-ring .....			223406-58	37 1 Spring .....			104154
	1	Impeller 4 bladed, diameter 115 mm .....	9612-3549-01	Δ Shaft seal, complete, EPDM .....			9612-4393-03	40 1 O-ring .....			223406-60
7	1	Pump casing with sanitary fittings 51 mm inlet and outlet		23 1 Stationary seal ring SiC .....			31437-0225-1	41 1 O-ring .....			223406-58
		ISO male .....	31457-0038-1	25 1 Seal .....			31437-0121-3	Shaft seal, complete, EPDM .....			9612-4393-07
		SMS .....	31457-0038-2	29a 1 O-ring, front .....			31439-0168-4	23 1 Stationary seal ring SiC .....			31437-0225-1
		DIN .....	31457-0038-3	29b 1 O-ring, back .....			31439-0168-4	25 1 Seal .....			31437-0121-3
		ISO clamp .....	31457-0038-4	30 3 Washer .....			104125	29a 1 O-ring, front .....			31439-0168-4
		BS .....	31457-0038-5	31 1 Spacer .....			31437-0212-1	29b 1 O-ring, back .....			31439-0168-4
8	2	Nut .....	9611-99-0587	32 1 O-ring .....			223406-51	30 3 Washer .....			104125
9	1	Back plate .....	31456-0035-1	33 1 Stationary seal ring .....			31450-0007-1	31 1 Spacer .....			31437-0212-1
10Δ	1	O-ring, NBR (Standard) .....	223412-75	36a+b 2 Rotating seal ring .....			31437-0211-1	32 1 O-ring .....			223406-51
	1	O-ring, EPDM .....	2234121-75	37 1 Spring .....			104154	33 1 Stationary seal ring .....			31450-0007-1
	1	O-ring, FPM .....	223412-76	40 1 O-ring .....			223406-60	36a 1 Rotating seal ring SiC .....			31437-0211-4
	1	O-ring, PTFE .....	31456-0060-1	41 1 O-ring .....			223406-58	36b 1 Rotating seal ring .....			31437-0211-1
11b	2	Stud bolt .....	31457-0051-2	Δ Shaft seal, complete, FPM .....			9612-4393-04	37 1 Spring .....			104154
12	1	Cover plate .....	31457-0013-1	23 1 Stationary seal ring SiC .....			31437-0225-1	40 1 O-ring .....			223406-60
13	2	Front leg .....	31457-0037-1	25 1 Seal .....			31437-0121-3	41 1 O-ring .....			223406-58
14	2	Screw .....	2210936-43	29a 1 O-ring, front .....			31439-0168-5	Shaft seal, complete, FPM .....			9612-4393-08
15	1	Back leg .....	31457-0037-2	29b 1 O-ring, back .....			31439-0168-5	23 1 Stationary seal ring SiC .....			31437-0225-1
16	1	Shroud .....	31457-0049-1	30 3 Washer .....			104125	25 1 Seal .....			31437-0121-3
34	1	Tubular spring pin .....	222119-20	31 1 Spacer .....			31437-0212-1	29a 1 O-ring, front .....			31439-0168-5
35	1	Seal housing .....	31439-0114-1	32 1 O-ring .....			223406-51	29b 1 O-ring, back .....			31439-0168-5
39	4	Screw .....	9611-99-0208	33 1 Stationary seal ring .....			31450-0007-1	30 3 Washer .....			104125
39a	4	Washer .....	9611-99-0800	36a+b 2 Rotating seal ring .....			31437-0211-1	31 1 Spacer .....			31437-0212-1
42	1	Pump shaft .....	31457-0055-1	37 1 Spring .....			104154	32 1 O-ring .....			223406-51
43	1	Fastening ring .....	31439-0113-1	40 1 O-ring .....			223406-60	33 1 Stationary seal ring .....			31450-0007-1
44	1	Intermediate flange .....	31457-0054-1	41 1 O-ring .....			223406-58	36a 1 Rotating seal ring SiC .....			31437-0211-4
45	2	Flushing tube .....	9612-3589-06	Δ Shaft seal, complete, PTFE .....			9612-4393-02	36b 1 Rotating seal ring .....			31437-0211-1
46	1	Assembly mandrel (not shown) .....	31439-0118-1	23 1 Stationary seal ring SiC .....			31437-0225-1	37 1 Spring .....			104154
				25 1 Seal .....			31437-0121-3	40 1 O-ring .....			223406-60
				29a 1 O-ring, front .....			31439-0168-3	41 1 O-ring .....			223406-58
				29b 1 O-ring, back .....			31439-0168-1	Shaft seal, complete, PTFE .....			9612-4393-06
				30 3 Washer .....			104125	23 1 Stationary seal ring SiC .....			31437-0225-1
				31 1 Spacer .....			31437-0212-1	25 1 Seal .....			31437-0121-3
				32 1 O-ring .....			223406-51	29a 1 O-ring, front .....			31439-0168-3
				33 1 Stationary seal ring .....			31450-0007-1	29b 1 O-ring, back .....			31439-0168-3
				36a+b 2 Rotating seal ring .....			31437-0211-1	30 3 Washer .....			104125
				37 1 Spring .....			104154	31 1 Spacer .....			31437-0212-1
				40 1 O-ring .....			223406-60	32 1 O-ring .....			223406-51
				41 1 O-ring .....			223406-58	33 1 Stationary seal ring .....			31450-0007-1
								36a 1 Rotating seal ring SiC .....			31437-0211-4
								36b 1 Rotating seal ring .....			31437-0211-1
								37 1 Spring .....			104154
								40 1 O-ring .....			223406-60
								41 1 O-ring .....			223406-58

\* Sometimes reduced impeller diameter. Check the diameter of the original impeller.

- Δ Service kit, NBR. .... 9611-92-1054
- Δ Service kit, EPDM. .... 9611-92-1055
- Δ Service kit, FPM. .... 9611-92-1056
- Δ Service kit, PTFE. .... 9611-92-1057

Parts marked with Δ are included in the Service kits.