

BUTTERFLY VALVES

A successful range of manual and automatic hygienic butterfly valves which meets the demands of today's processing industries.

Built-in flexibility offers a wide range of options to satisfy diverse industry specification.

Hygienic internal and external design suitable for most food related processing applications and in-place cleaning regimes.



AUTOMATIC OPERATION

The actuator is manufactured in stainless steel with a matt finish.

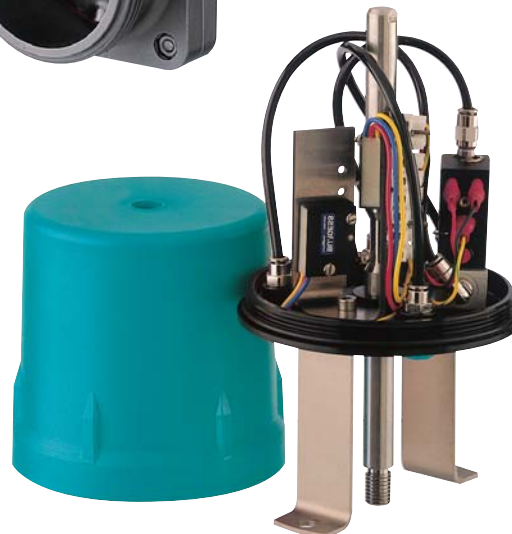
These actuators can be supplied with the valve or fitted retrospectively to installed valves.



CONTROL BOX

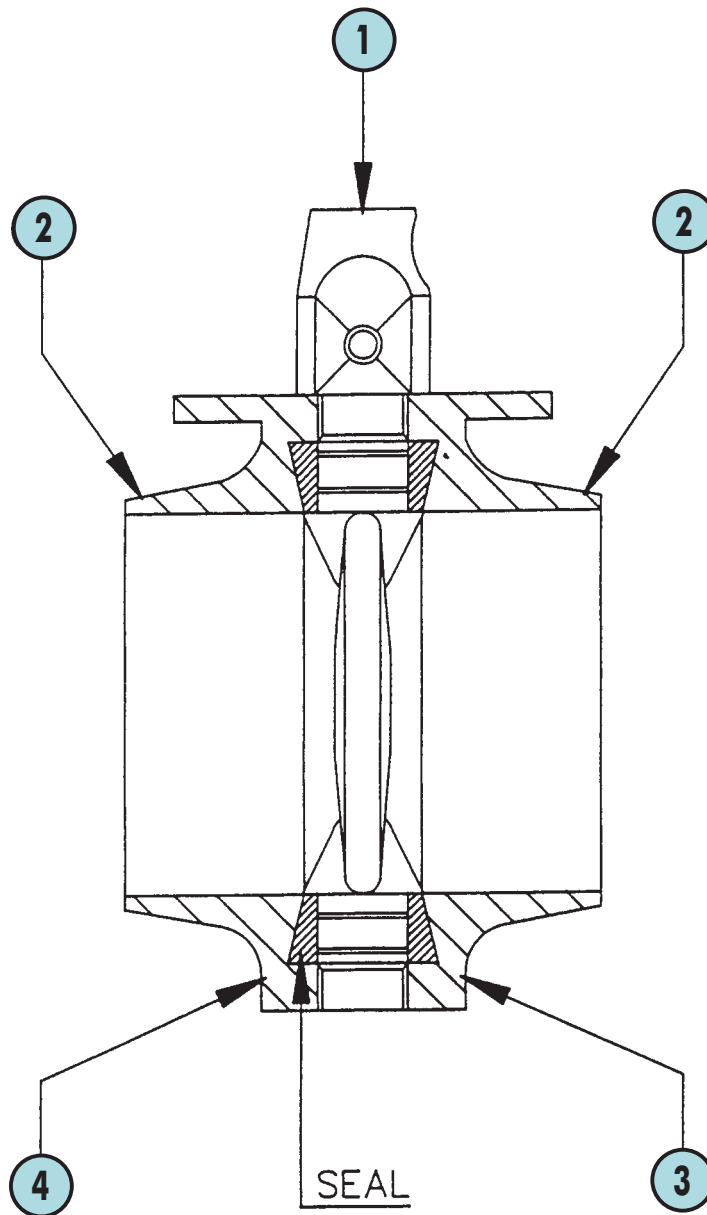
This control box can be fitted to single and double seal, butterfly and ball seat valves.

Recognising that feedback systems can frequently be the cause of breakdowns, the boxes have been engineered with reliability being the main criteria.



BUTTERFLY VALVES

MK2 NON RETURN VALVE COMPONENTS



VALVES BODY COMPONENTS								
		1"	1½"	2"	2½"	3"	4" Mk2	4" Mk3
1. Disc		300030002	300030002	400030002	500030002	600030002	700030002	7000300042
2. Body Half	Plain	200030001	300030001	400030001	500030001	600030001	700030001	7000300041
	RJT Male	210030001	310030001	410030001	510030001	610030001	710030001	7100300041
	IDF Male	220030001	320030001	420030001	520030001	620030001	720030001	7200300041
	RJT Female	210031001	310031001	410031001	510031001	610031001	710031001	7100310041
	IDF Female	220031001	320031001	420031001	520031001	620031001	720031001	7200310041
3. Screw (4 Off)		16009700S	16009700S	16009700S	16009700S	16009700S	16009700S	16009700S
4. Nut (4 Off)		05009850S	05009850S	05009850S	06009850S	16009850S	08009850S	0008985000S

Note: 4" Mk3 Valves are identified on the face of each body half and on the bottom of the disc lower trunion

VALVES SEAL COMPONENTS						
	1" / 1½"	2"	2½"	3"	4" Mk2	4" Mk3
Silicon	300030003	400030003	500030003	600030003	700030003	7000300043B
EPDM	3000300021	400300021	500300021	600300021	7000300021	7000300043C
Viton	3000300019	4000300019	5000300019	6000300019	7000300019	7000300043D