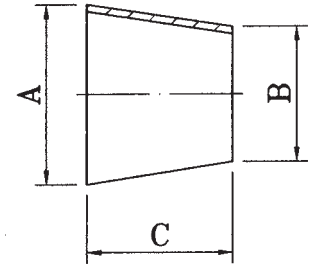
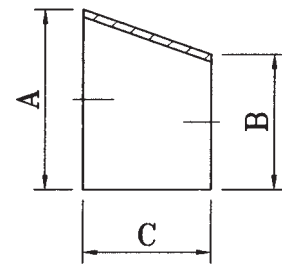


Sanitary Fittings (BS4825 Imperial)

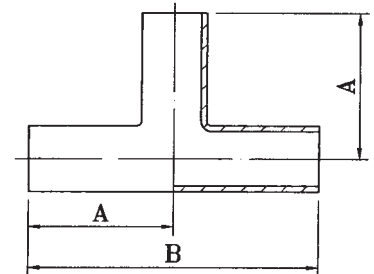
Concentric Reducer (316)				
Size	A	B	C	Part No.
1.5" x 1.0"	38.1	25.4	29.0	9004038
2.0" x 1.0"	50.8	25.4	-	9004037
2.0" x 1.5"	50.8	38.1	41.0	9004036
2.5" x 1.5"	63.5	38.1	-	9004035
2.5" x 2.0"	63.5	50.8	40.0	9004034
3.0" x 2.0"	76.2	50.8	-	9004033
3.0" x 2.5"	76.2	63.5	41.0	9004032
4.0" x 3.0"	101.6	76.2	53.0	9004031



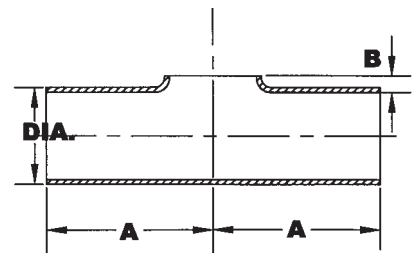
Eccentric Reducer (316)				
Size	A	B	C	Part No.
1.5" x 1.0"	38.1	25.4	35.0	9004046
2.0" x 1.0"	50.8	25.4	-	9004045
2.0" x 1.5"	50.8	38.1	36.0	9004044
2.5" x 1.5"	63.5	38.1	-	9004043
2.5" x 2.0"	63.5	50.8	35.0	9004042
3.0" x 2.0"	76.2	50.8	-	9004041
3.0" x 2.5"	76.2	63.5	44.0	9004040
4.0" x 3.0"	101.6	76.2	77.0	9004039



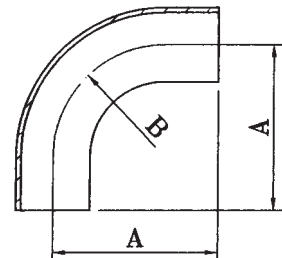
Tee Long Type (316)			
Size	A	B	Part No.
1.0"	65.0	130.0	9004058
1.5"	85.0	170.0	9004057
2.0"	110.0	220.0	9004056
2.5"	135.0	270.0	9004055
3.0"	155.0	310.0	9004054
4.0"	195.0	390.0	9004053



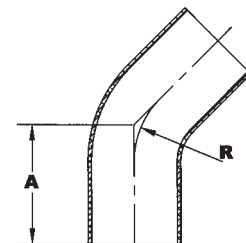
Pulled Tee (316)			
Size	A	B	Part No.
1.0"	43.5	2.0	9004072
1.5"	64.0	3.0	9004071
2.0"	88.5	4.0	9004070
2.5"	111.0	3.0	9004069
3.0"	134.0	3.0	9004068
4.0"	173.0	5.0	9004067



90° Elbow Long Type (316)			
Size	A	B	Part No.
1.0"	65.0	38.1	9004052
1.5"	85.0	57.2	9004051
2.0"	110.0	76.2	9004050
2.5"	135.0	95.3	9004049
3.0"	155.0	114.3	9004048
4.0"	195.0	152.4	9004047

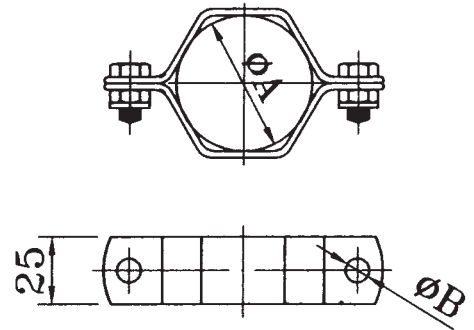


45° Elbow (316)			
Size	A	B	Part No.
1.0"	30.2	38.1	9004097
1.5"	41.3	57.2	9004075
2.0"	58.7	76.2	9004066
2.5"	76.2	95.3	9004086
3.0"	93.7	114.3	9004087
4.0"	122.2	152.4	9004096



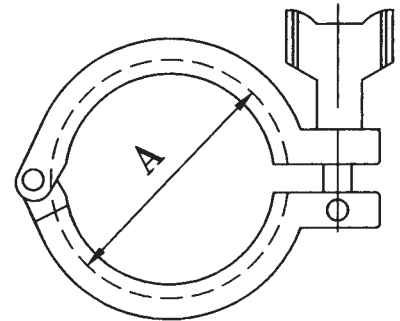
Sanitary Fittings (SMS)

Hexagon Pipeclamp			
Size	A	B	Part No.
25	25	7	9004076
38	38	7	9004077
51	51	9	9004078
63.5	63.5	9	9004079
76	76	9	9004080
104	104	9	9004227

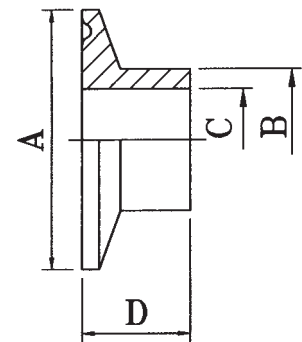


Sanitary Fittings (Triclamp)

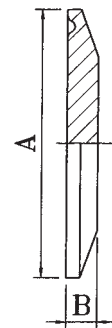
Heavy Duty Clamp (304)		
Size	A	Part No.
1.0"	53.9	9004175
1.5"	53.9	9004176
2.0"	67.4	9004177
2.5"	80.9	9004178
3.0"	94.4	9004179
4.0"	122.4	9004180



Short Welding Ferrule (316)					
Size	A	B	C	D	Part No.
1.0"	50.4	25.4	22.1	12.7	9004181
1.5"	50.4	38.1	34.8	12.7	9004182
2.0"	63.9	50.8	47.54	12.7	9004183
2.5"	77.5	63.5	60.2	12.7	9004184
3.0"	90.9	76.2	72.9	12.7	9004185
4.0"	118.9	101.6	97.4	15.8	9004186



Triclamp Blank (316)			
Size	A	B	Part No.
1.0"	50.4	6.3	9004234
1.5"	50.4	6.3	9004235
2.0"	63.9	6.3	9004236
2.5"	77.5	6.3	9004237
3.0"	90.9	6.3	9004238
4.0"	118.9	6.3	9004239



Sanitary Fittings (Triclamp) contd

Triclamp Gasket				
Size		A	B	Part No.
1.0"	Nitrile	50.4	5.5	9005181
	EPDM	50.4	5.5	9005080
	Silicone	50.4	5.5	9005086
	Viton	50.4	5.5	9005092
	Teflon	50.4	5.5	9005098
1.5"	Nitrile	50.4	5.5	9005182
	EPDM	50.4	5.5	9005081
	Silicone	50.4	5.5	9005087
	Viton	50.4	5.5	9005093
	Teflon	50.4	5.5	9005099
2.0"	Nitrile	63.9	5.5	9005183
	EPDM	63.9	5.5	9005082
	Silicone	63.9	5.5	9005088
	Viton	63.9	5.5	9005094
	Teflon	63.9	5.5	9005100
2.5"	Nitrile	77.5	5.5	9005184
	EPDM	77.5	5.5	9005083
	Silicone	77.5	5.5	9005089
	Viton	77.5	5.5	9005095
	Teflon	77.5	5.5	9005101
3.0"	Nitrile	90.9	5.5	9005185
	EPDM	90.9	5.5	9005084
	Silicone	90.9	5.5	9005090
	Viton	90.9	5.5	9005096
	Teflon	90.9	5.5	9005102
4.0"	Nitrile	118.9	5.5	9005186
	EPDM	118.9	5.5	9005085
	Silicone	118.9	5.5	9005091
	Viton	118.9	5.5	9005096
	Teflon	118.9	5.5	9005103

