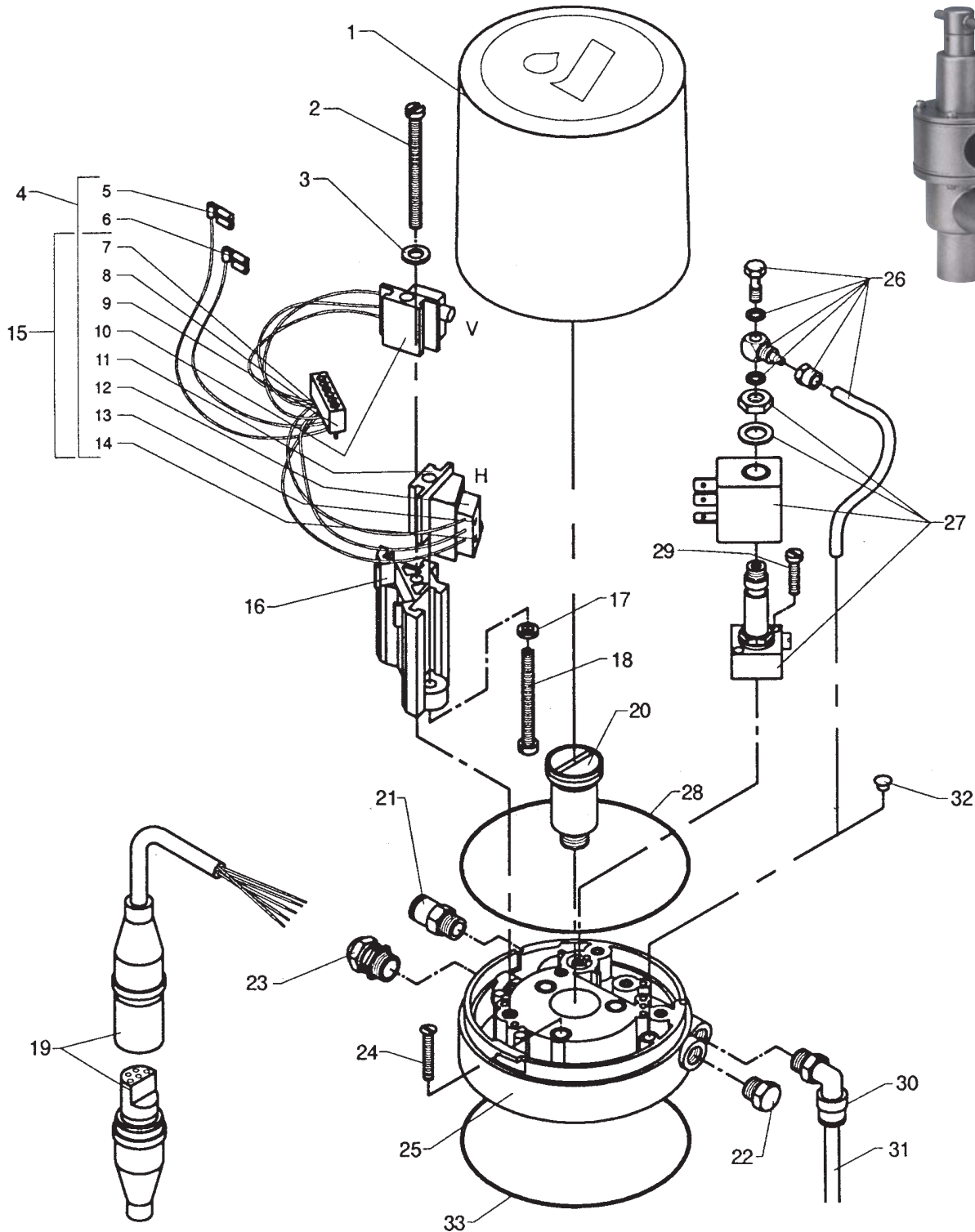


APV VPS-ISO Valves

Control Unit Type 4 with Proximity Switch NPN



FREEFAX:

0800 801404

APV VPS-ISO Valves

Control Unit Type 4 with Proximity Switch NPN

* This type is with 1 off proximity switch that indicates that the valve is open.
Switch V is to be mounted on the bracket.

Item	Qty	Description	NO-1	NO-MI	NO-1*	NO-MI*
			NC-1	NC-MI	NC-1*	NC-MI*
			Part No.			
-	-	Control Unit	172362		172364	
-	-	Control Unit AC		172363		172365
-	-	Control Unit DC		187300		187301
1	1	Cap	770272	770272	770272	770272
2	1	Screw	770343	770343	770343	770343
3	1	Washer	701477	701477	701477	701477
4	1	Feedback Unit		171974		172361
5	1	Cable Terminal		169924		169924
6	1	Cable Terminal		169925		169925
7	1-2	Shrink Hose	770468	770468	770468	770468
8	2-5	Shrink Hose	770346	770346	770346	770346
9	1	Terminal Strip	770296	770296	770296	770296
10	1	Bracket V	254484	254484	254484	254484
11	1	Bracket H	179788	179788		
12	2	Proximity Switch	770492	770492	770492	770492
13	3	Screw	706159	706159	706159	706159
14	1	Screw	770030	770030	770030	770030
15	1	Feedback Unit	171973		172360	
16	1	Bracket	770270	770270	770270	770270
17	2	Washer	254495	254495	254495	254495
18	2	Screw	241882	241882	241882	241882
19	1	Multiple Plug	169052	169052	169052	169052
20	1	Actuator Screw	169927	169927	169927	169927
21	1	Connector		770324		770324
22	1-3	Plug	750218	750218	750218	750218
23	1	Cable Inlet	770298	770298	770298	770298
24	3	Screw	770503	770503	770503	770503
25	1	Base Plate	169939	169939	169939	169939
26	1	Vent hose		169932		169932
27(1)	1	Solenoid Valve AC		770295		770295
27(2)	1	Solenoid Valve AC		770501		770501
28	1	O-Ring	771640	771640	771640	771640
29	2	Screw		770397		770397
30	1	Elbow Connector		770325		770325
31	1	Hose		254511		254511
32	1	Plug	770039		770039	
33	1	O-Ring	772123	772123	772123	772123

- (1) Standard 24V 50/60 Hz
Option 48V 50 Hz

- (2) Standard 24V DC
Option 48V DC

Technical Data for Proximity Switch

Type	NPN, Normally Closed
Supply Voltage	9,6 - 55V DC
Current Consumption	≤ 10mA
Max. Load Current	200mA
Operating Temperature Range	-25°C to +85°C
Protection Class	IP67
Nominal Sensing Distance	2,5 mm
Output Transistor Voltage Drop	≤ 2V



APV VPS-ISO Valves

Control Unit Type 4 with Proximity Switch PNP

* This type is with 1 off proximity switch that indicates that the valve is open.
Switch V is to be mounted on the bracket.

Item	Qty	Description	NO-1	NO-MI	NO-1*	NO-MI*
			NC-1	NC-MI	NC-1*	NC-MI*
			Part No.			
-	-	Control Unit	179372		179374	
-	-	Control Unit AC		179373		179375
-	-	Control Unit DC		187302		187303
1	1	Cap	770272	770272	770272	770272
2	1	Screw	770343	770343	770343	770343
3	1	Washer	701477	701477	701477	701477
4	1	Feedback Unit		179772		179368
5	1	Cable Terminal		169924		169924
6	1	Cable Terminal		169925		169925
7	1-2	Shrink Hose	770468	770468	770468	770468
8	2-5	Shrink Hose	770346	770346	770346	770346
9	1	Terminal Strip	770296	770296	770296	770296
10	1	Bracket V	254484	254484	254484	254484
11	1	Bracket H	179788	179788		
12	2	Proximity Switch	771201	771201	771201	771201
13	3	Screw	706159	706159	706159	706159
14	1	Screw	770030	770030	770030	770030
15	1	Feedback Unit	187522		179367	
16	1	Bracket	770270	770270	770270	770270
17	2	Washer	254495	254495	254495	254495
18	2	Screw	241882	241882	241882	241882
19	1	Multiple Plug	169052	169052	169052	169052
20	1	Actuator Screw	169927	169927	169927	169927
21	1	Connector		770324		770324
22	1-3	Plug	750218	750218	750218	750218
23	1	Cable Inlet	770298	770298	770298	770298
24	3	Screw	770503	770503	770503	770503
25	1	Base Plate	169939	169939	169939	169939
26	1	Vent hose		169932		169932
27(1)	1	Solenoid Valve AC		770295		770295
27(2)	1	Solenoid Valve AC		770501		770501
28	1	O-Ring	771640	771640	771640	771640
29	2	Screw		770397		770397
30	1	Elbow Connector		770325		770325
31	1	Hose		254511		254511
32	1	Plug	770039		770039	
33	1	O-Ring	772123	772123	772123	772123

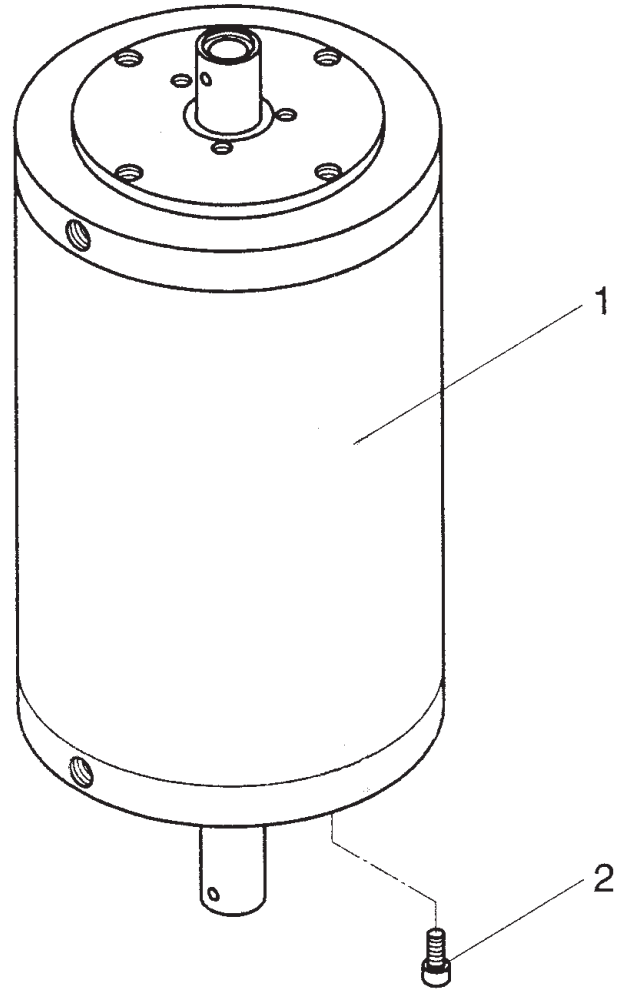
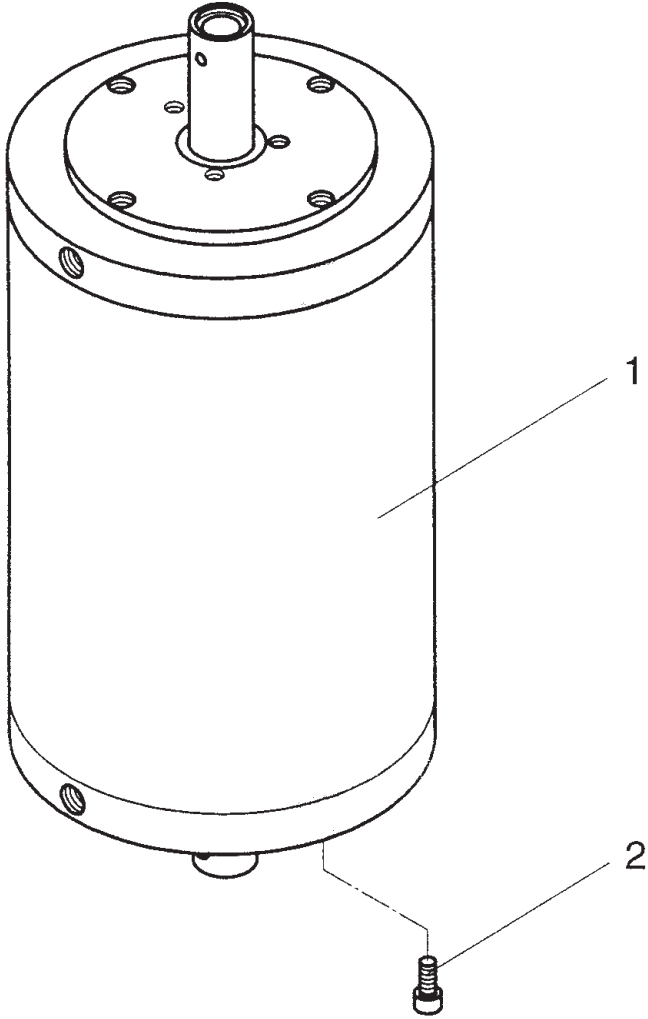
(1) Standard 24V 50/60 Hz
Option 48V 50 Hz

(2) Standard 24V DC
Option 48V DC

Technical Data for Proximity Switch

Type	PNP, Normally Closed
Supply Voltage	9,6 - 55V DC
Current Consumption	≤ 10mA
Max. Load Current	200mA
Operating Temperature Range	-25°C to +85°C
Protection Class	IP67
Nominal Sensing Distance	2,5 mm
Output Transistor Voltage Drop	≤ 2V

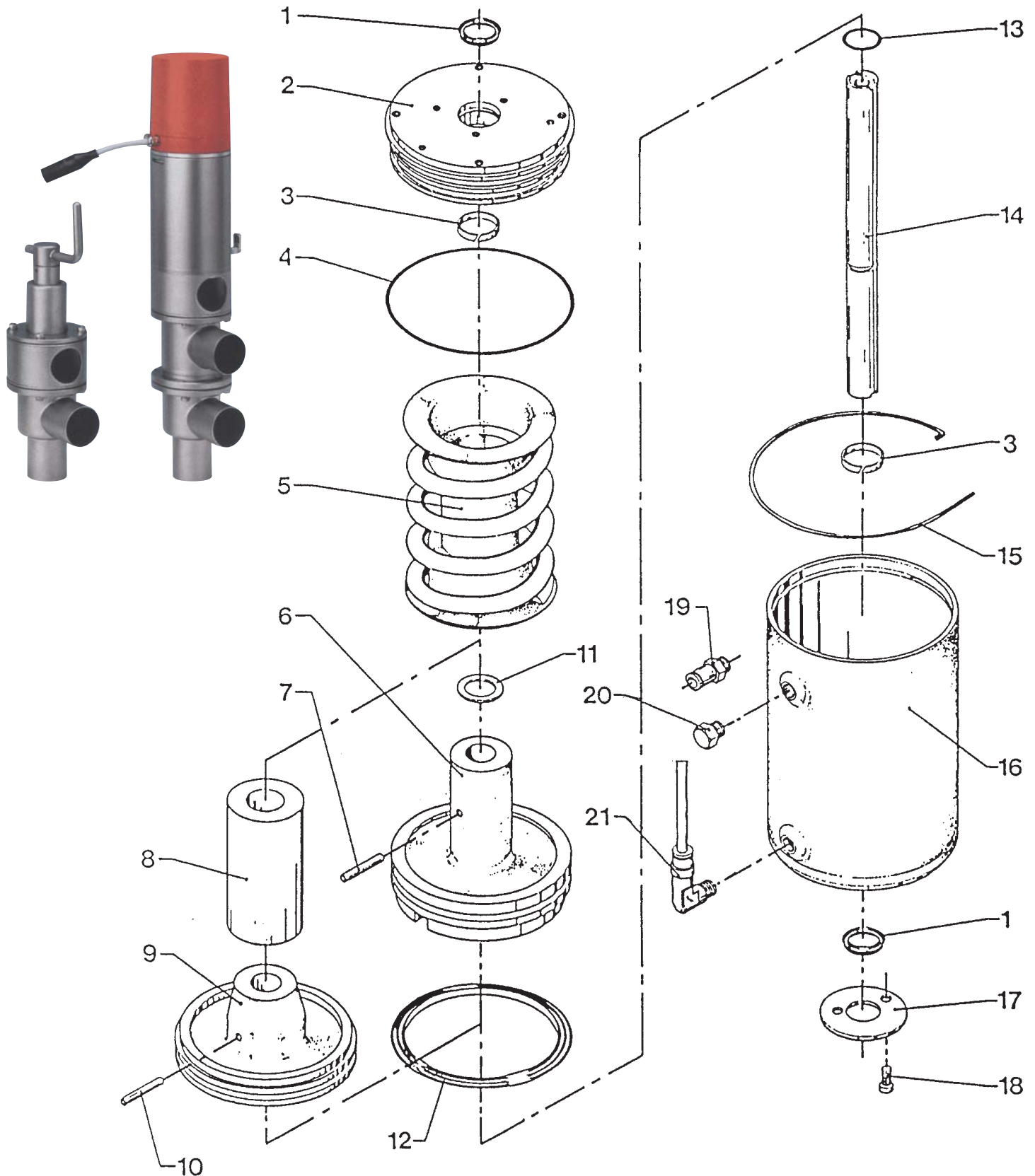
APV VPS-ISO Valves
Actuator NO/NC Complete Type VPS-Clamp



Pos	Qty	Description	Ø96	Ø127
			NW 25-65	NW 80-100
-	-	NO Complete	171977	171978
-	-	NC Complete	171975	171976
1	1	Actuator	168907	168700
2	4	Screw	770496	770550

APV VPS-ISO Valves

Actuator



FREEFAX:

0800 801404



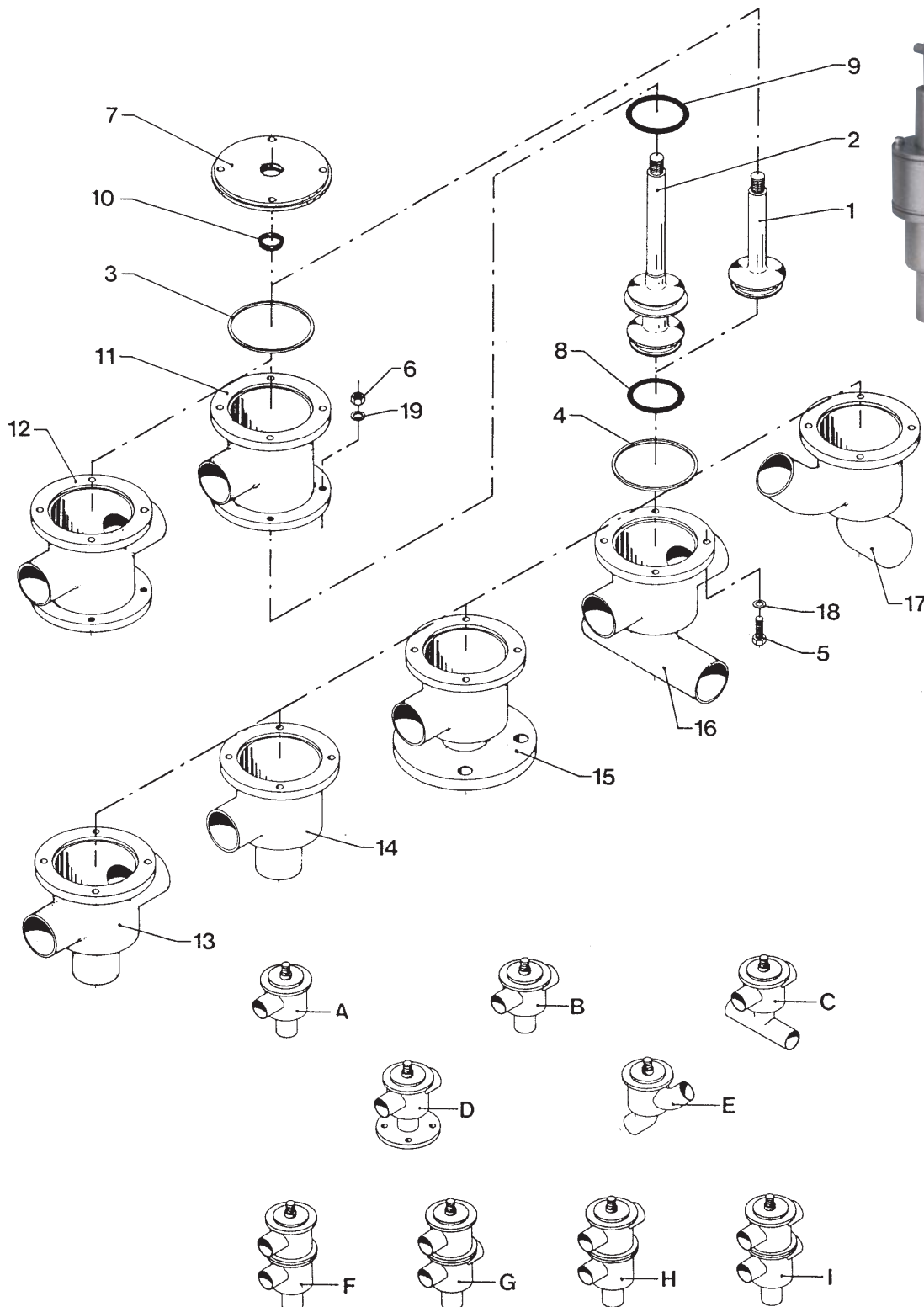
VPS-ISO Valves

Actuator (contd)

Pos	Qty	Description	Ø96	Ø127
			Part Number	
-	-	Actuator	168907	168700
1	2	Seal Ring	705918	705918
2	1	Cover	254239	253810
3	2	Bush	771608	771608
4	1	O-Ring	702784	770151
5	1	Spring	169747	168919
6	1	Piston	253802	
7	1	Pin	771494	
8	1	Bush		255730
9	1	Piston		253803
10	1	Pin		771965
11	1	Washer	255393	
12	1	Seal Ring	705241	705242
13	1	O-Ring	724091	724091
14	1	Stem	254240	240931
15	1	Lock Ring	254237	254266
16	1	Cylinder	168922	168921
17	1	Washer	241480	241480
18	2	Screw	705584	705584
19*	1	Connector	770324	770324
20*	1	Plug	163076	163076
21*	1	Elbow Connector	770325	770325

* Accessories

APV VPS-ISO Valves
 Valve Bodies Type VPS-ISO



FREEFAX:

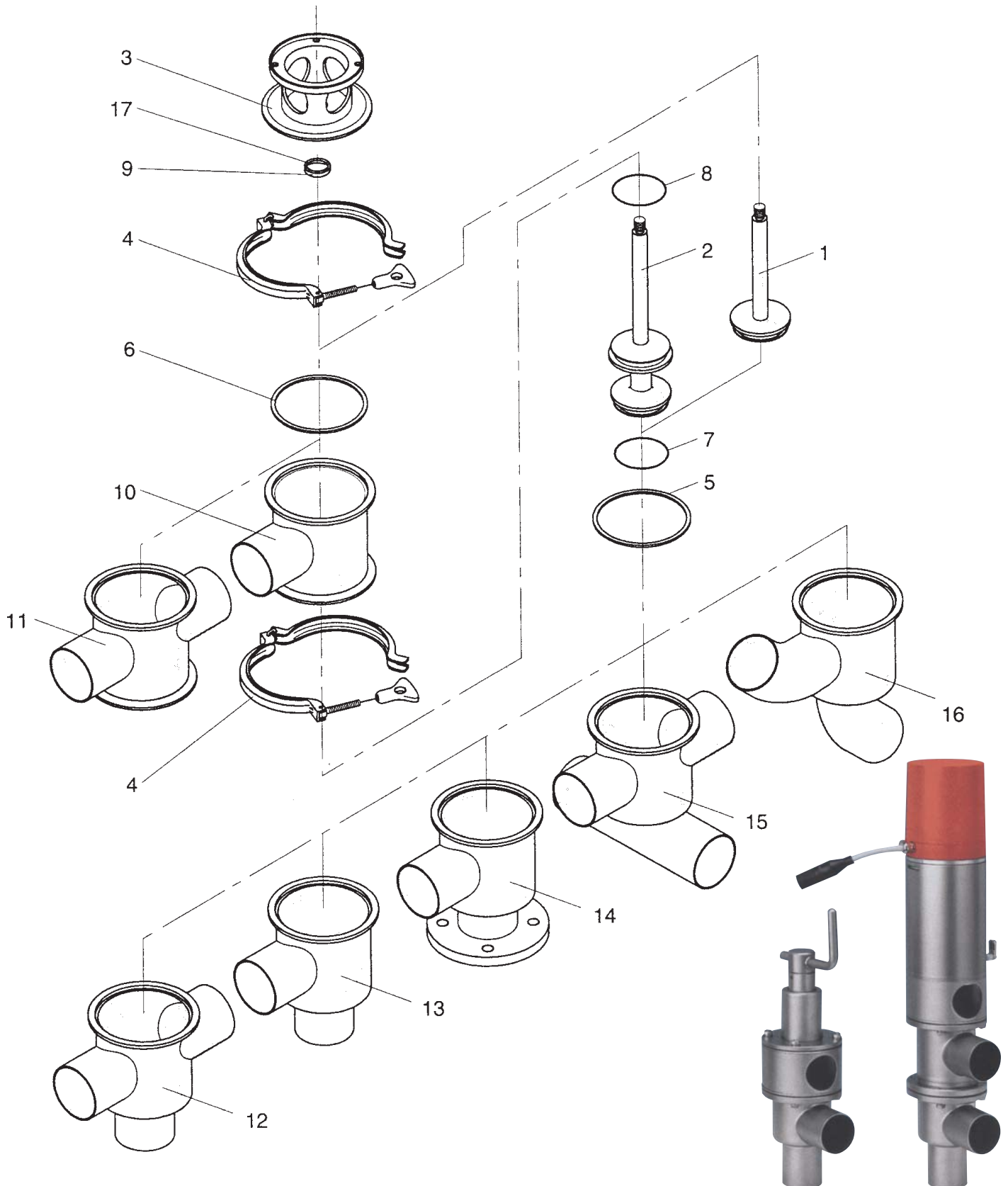
0800 801404



 **APV VPS-ISO Valves**
Valve Bodies Type VPS-ISO (contd)

			Ø38	Ø51	Ø63.5	Ø76	Ø101.6
Item	Qty	Description	Part No.				
A	1	L - Valve Complete	147275	147276	177277	147278	147279
B	1	T - Valve Complete	147420	147421	147422	147423	147424
C	1	KTT - Valve Complete	152909	152910	152911	152912	152913
D	1	L-fl Valve Complete		152797		152798	152799
E	1	J - Valve Complete	152756	152757	152758	152759	152760
F	1	LL - Valve Complete	147253	147254	147255	147256	147257
G	1	LT - Valve Complete	147430	147431	147432	147433	147434
H	1	TL - Valve Complete	147425	147426	147427	147428	147429
I	1	TT - Valve Complete	151625	151626	151627	151628	151629
1	1	Spindle Single	147271	147271	147272	147273	147274
2	1	Spindle Double	149073	149073	149074	149075	149076
3	1	Gasket	240896	240896	240897	250020	250020
4	1	Gasket	240896	240896	240897	240898	240898
5	4	Screw	705856	705856	700678	234177	234177
6	4	Nut				700241	700241
7	1	Washer	254209	254209	254210	254211	254211
8	1	O-Ring	705233	705233	705235	705237	705238
9	1	O-Ring	705234	705234	705236	705237	705238
10	1	*Wiper Ring	771755	771755	771755	771755	771755
11	1	L - Valve Body Upper Part	149069	149070	149071	148684	148685
12	1	T - Valve Body Upper Part	149124	149125	150374	150575	150376
13	1	T - Valve Body	149122	149123	150371	150372	150373
14	1	L - Valve Body	149066	149067	149068	148682	148683
15	1	L-fl Valve Body		149398		151315	151316
16	1	KTT - Valve Body	152713	152714	151389	151390	151391
17	1	J - Valve Body	152747	149397	152748	151306	151307
18	4	Tension Disc	711173	711173	711173		
19	4	Tension Disc				771174	771174
		*HNBR(Standard)	771755	771755	771755	771755	771755
		Viton	770004	770004	770004	770004	770004
		EPDM	770418	770418	770418	770418	770418

APV VPS-ISO Valves
Valve Bodies Type VPS-ISO Clamp



FREEFAX:

0800 801404



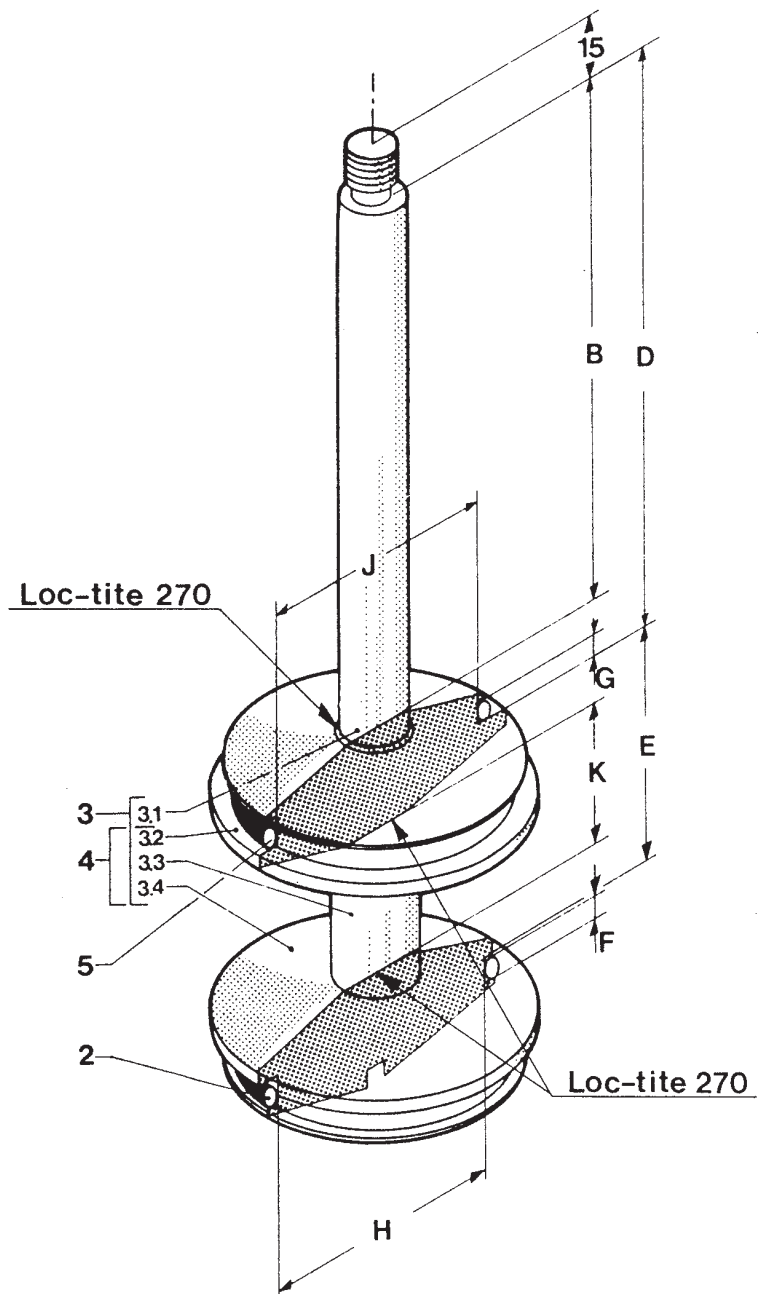
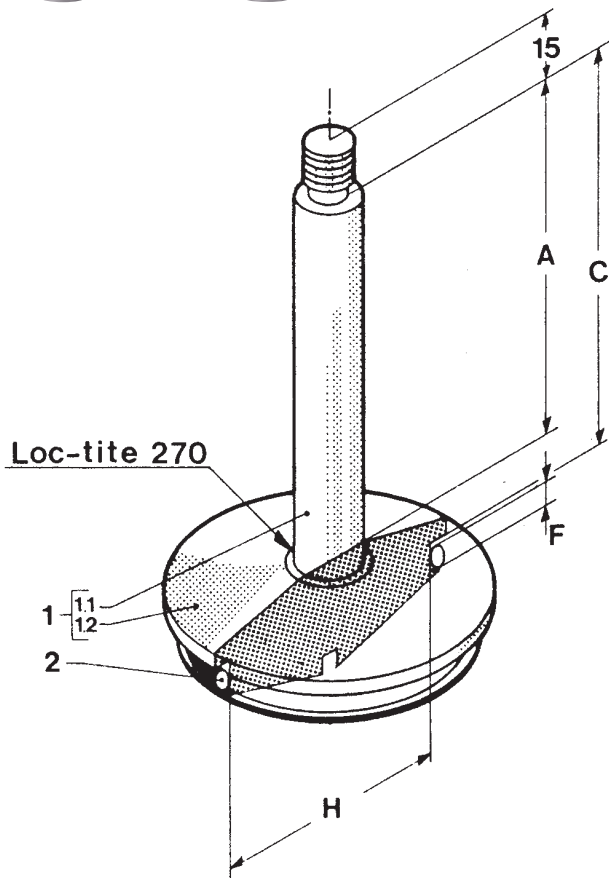
 **APV VPS-ISO Valves**

Valve Bodies Type VPS-ISO Clamp (contd)

Item	Qty	Description	Ø25	Ø38	Ø51	Ø63.5	Ø76	Ø101.6
			Part No.					
-	1	L - Valve Complete	183104	171540	171541	171542	171543	171544
-	1	T - Valve Complete	183105	171558	171559	171560	171561	171562
-	1	KTT - Valve Complete	183106	171573	171574	171575	171576	171577
-	1	L-fl Valve Complete			171555		171556	171557
-	1	J - Valve Complete	183108	171578	171579	171580	171581	171582
-	1	LL - Valve Complete	183109	171545	171546	171547	171548	171549
-	1	LT - Valve Complete	183110	171550	171551	171552	171553	171554
-	1	TL - Valve Complete	183111	171568	171569	171570	171571	171572
-	1	TT - Valve Complete	183112	171563	171564	171565	171566	171567
1	1	Spindle Single	187370	171965	171965	171966	179123	179122
2	1	Spindle Double	187371	169048	169048	169049	179947	179946
1)3	1	Spacer	169043	169043	169043	169047	171968	171968
2)3	1	Spacer	169043	169043	169043	169047	169271	169271
4	1-2	Clamp	173737	173737	173737	173738	169050	169050
5	1	Gasket	260252	240896	240896	254461	255479	255479
6	1	Gasket	260252	240896	240896	254461	255480	255480
7	1	O-Ring	771309	705233	705233	705235	705237	705238
8	1	O-Ring	771309	705234	705234	705236	705237	705238
9*	1	Wiper Ring						
		High Nitrile	771755	771755	771755	771755	771755	
		Viton	770004	770004	770004	770004	770004	
		EPDM	770418	770418	770418	770418	770418	
10	1	L - Valve Body Upper Part	183057	169018	169028	169033	169036	169037
11	1	T - Valve Body Upper Part	183058	169020	169027	169034	169035	169039
12	1	T - Valve Body	183056	169022	169026	169031	169040	169041
13	1	L - Valve Body	183055	169017	169029	169032	169038	169042
14	1	L-fl Valve Body			169055		169056	169057
15	1	KTT - Valve Body	188198	169058	169059	169060	169061	169062
16	1	J - Valve Body	188197	169063	169064	169065	169066	169067
17	1	Bush					770890	770890

* Standard High Nitrile

APV VPS-ISO Valves
Spindle for VPS-ISO Clamp

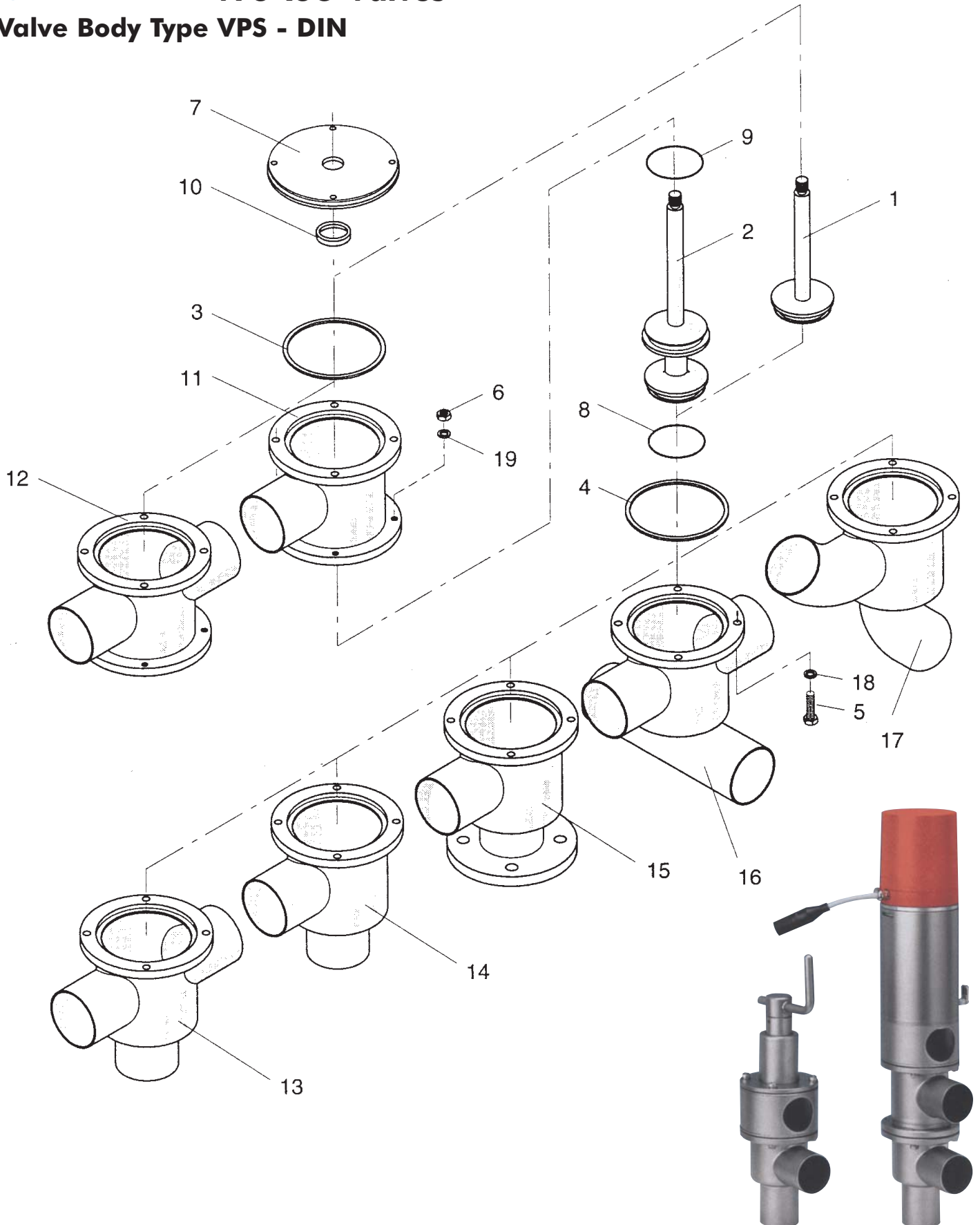


APV VPS-ISO Valves
Spindle for VPS-ISO Clamp (contd)

		ISO				ISO-CLAMP				
Dimension		Ø38-51	Ø63,5	Ø76	Ø101,6	Ø25	Ø38-51	Ø63,5	Ø76	Ø101,6
A		75	95	102	133	62	85	105	112	143
B		119	144	164	191,5	107	129	154	174	201,5
C		82	106	113	147	69	92	116	123	157
D		133	159	180	211,5	117,5	143	169	190,5	222,5
E		37	55	62,5	91,5	14	37	55	62,5	91,5
F		6	6	6	7	5	6	6	6	7
G		6	6	6	7	5	6	6	6	7
H		41	53	65	90	29,5	41	53	65	90
J		45	57	65	90	29,5	45	57	65	90
K		-	-	40	64,5	-	-	-	40	64,5
		ISO				ISO-CLAMP				
Item		Ø38-51	Ø63,5	Ø76	Ø101,6	Ø25	Ø38-51	Ø63,5	Ø76	Ø101,6
Dimension		Part No.								
1	Spindle Single	147271	147272	147273	147274	187370	171965	171966	179123	179122
1.1	Stay Bolt	240948	240971	240970	240972	260236	254538	254540	255668	255526
1.2	Valve Cone	240951	240973	240950	240927	249347	240951	240973	240950	240927
2	O-Ring	705233	705235	705237	705238	771309	705233	705235	705237	705238
3	Spindle Double	149073	149074	149075	149076	187371	169048	169049	179947	179946
3.1	Stay Bolt	240947	240946	240945	238232	254823	254539	254541	254826	256004
3.2	Valve Cone			240949	240928				240949	240928
3.3	Stay Bolt			240944	240926				240944	240926
3.4	Valve Cone			240950	240927				240950	240927
4	Valve Cone	240960	240961			260235	240960	240961		
5	O-Ring	705234	705236	705237	705238	771309	705234	705236	705237	705238

APV VPS-ISO Valves

Valve Body Type VPS - DIN



FREEFAX:

0800 801404

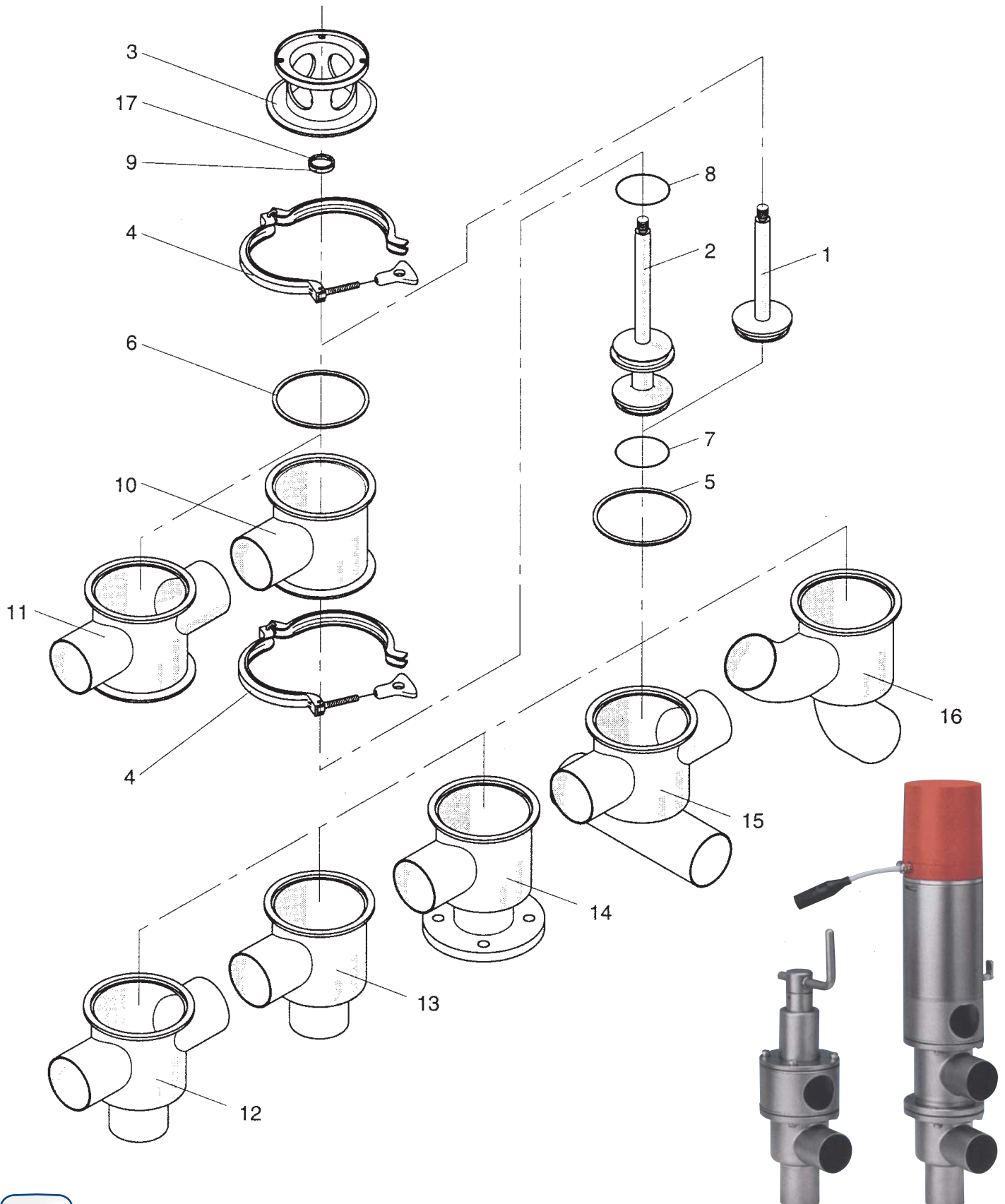


 **APV VPS-ISO Valves**

Valve Body Type VPS - DIN (contd)

			NW40	NW50	NW65	NW80	NW100
Item	Qty	Description	Part No.				
-	-	L - Valve Complete	172562	172563	172564	172565	172566
-	-	T - Valve Complete	172567	172568	172569	172570	172571
-	-	KTT - Valve Complete	172572	172573	172574	172575	172576
-	-	L-fl Valve Complete		172582		172583	172584
-	-	J - Valve Complete	172577	172578	172579	172580	172581
-	-	LL - Valve Complete	175587	172588	172589	172590	172591
-	-	LT - Valve Complete	172592	172593	172594	172595	172596
-	-	TL - Valve Complete	172597	172598	172599	172600	172601
-	-	TT - Valve Complete	172602	172603	172604	172605	172606
1	1	Spindle Single	147271	147271	172608	172609	172610
2	1	Spindle Double	168913	168913	168912	169162	169163
3	1	Gasket	240896	240896	240897	250020	250020
4	1	Gasket	240896	240896	240897	240898	240898
5	4	Screw	705856	705856	700678	234177	234177
6	4	Nut				700241	700241
7	1	Washer	254209	254209	254210	254211	254211
8	1	O-Ring	705233	705233	770552	770553	770554
9	1	O-Ring	705234	705234	705236	705237	705238
10	1	*Wiper Ring	771755	771755	771755	771755	771755
11	1	L - Valve Body Upper Part	157082	156966	156961	169104	169127
12	1	T - Valve Body Upper Part	168908	168910	168902	169105	169128
13	1	T - Valve Body Upper Part	168909	157086	156960	169107	169114
14	1	L - Valve Body	157080	156965	156969	169106	169117
15	1	L-fl Valve Body		169158		169159	169160
16	1	KTT - Valve Body	169148	169149	169150	169151	169152
17	1	J - Valve Body	169153	169154	169155	169156	169157
18	4	Tension Disc	711173	711173	711173		
19	4	Tension Disc				771174	771174
		*HNBR(Standard)	771755	771755	771755	771755	771755
		Viton	770004	770004	770004	770004	770004
		EPDM	770418	770418	770418	770418	770418

APV VPS-ISO Valves
Valve Bodies Type VPS - DIN Clamp



FREEFAX:

0800 801404



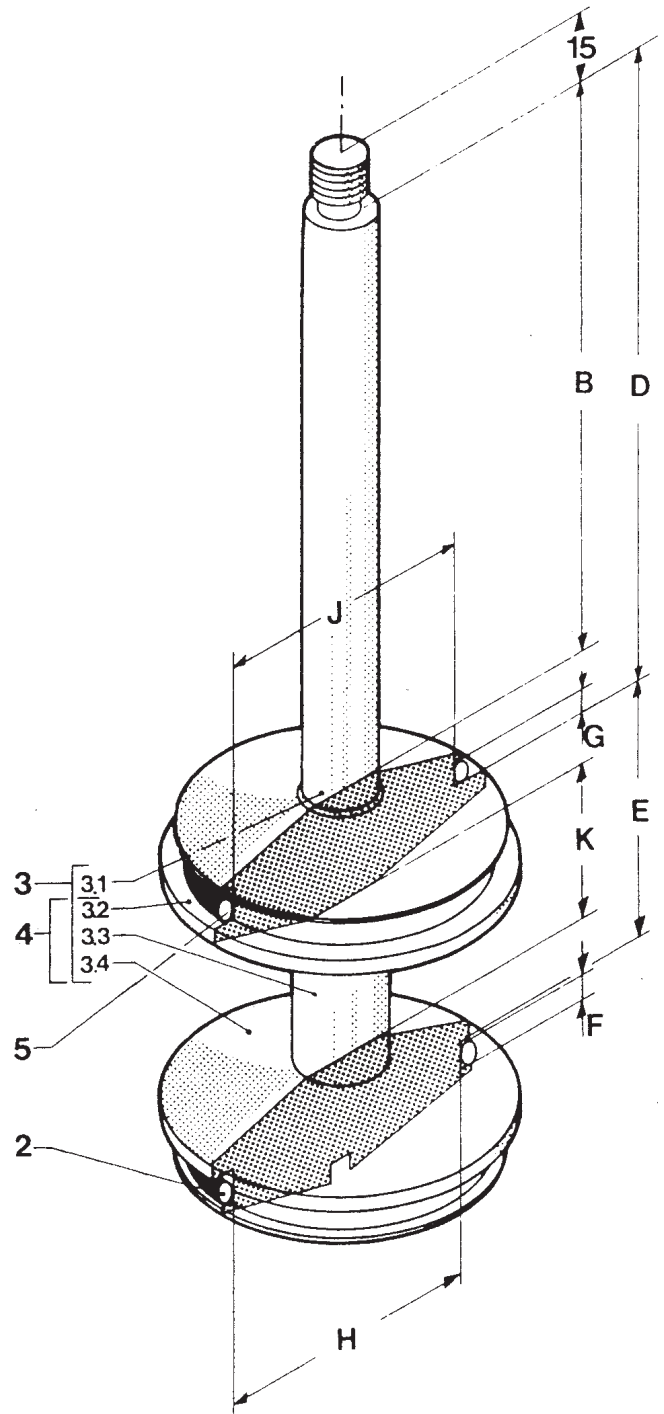
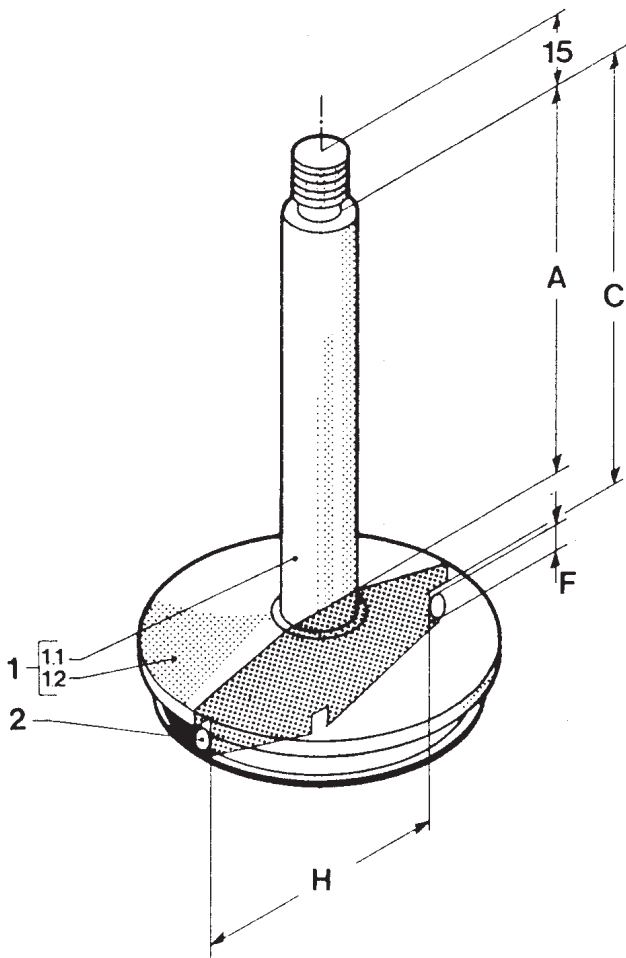
 **APV VPS-ISO Valves**

Valve Bodies Type VPS - DIN Clamp (contd)

Item	Qty	Description	NW25	NW40	NW50	NW65	NW80	NW100
			Part No.					
-	-	L - Valve Complete	179799	173782	173783	173784	173785	173786
-	-	T - Valve Complete	179800	173787	173788	173789	173790	173791
-	-	KTT - Valve Complete	179801	173792	173793	173794	173795	173796
-	-	L-fl Valve Complete			173797		173798	173799
-	-	J - Valve Complete	179802	173800	173801	173802	173803	173804
-	-	LL - Valve Complete	179803	173805	173806	173807	173808	173809
-	-	LT - Valve Complete	179804	173810	173811	173812	173813	173814
-	-	TL - Valve Complete	179805	173815	173816	173817	173818	173819
-	-	TT - Valve Complete	179806	173820	173821	173822	173823	173824
1	1	Spindle Single	179798	171965	171965	173825	174619	175658
2	1	Spindle Double	182938	169226	169226	169223	169207	175659
1)3	1	Spacer	169043	169043	169043	169047	171968	171968
3)3	1	Spacer	169043	169043	169043	169047	169271	169271
4	1-2	Clamp	173737	173737	173737	173738	169050	169050
5	1	Gasket	240896	240896	240896	255000	255479	255479
6	1	Gasket	240896	240896	240896	255000	255480	255480
7	1	O-Ring	771309	705233	705233	770552	770553	770554
8	1	O-Ring	770051	705234	705234	705236	705237	705238
9*	1	Wiper Ring	771755	771755	771755	771755	771755	771755
10	1	L - Valve Body Upper Part	182936	169219	169220	169218	169205	175588
11	1	T - Valve Body Upper Part	182937	169212	169211	169227	169206	175589
12	1	T - Valve Body	182933	169213	169215	169228	169204	175587
13	1	L - Valve Body	182935	169214	169216	169217	169203	175586
14	1	L-fl Valve Body			169221		175615	175616
15	1	KTT - Valve Body	188211	179980	179981	179982	179983	179984
16	1	J - Valve Body	188212	179985	179966	179987	179988	179989
17	1	Bush		711173	711173	711173		
		*HNBR(Standard)		771755	771755	771755	771755	771755
		Viton (M88)		770004	770004	770004	770004	770004
		EPDM (EPDM85)		770418	770418	770418	770418	770418

APV VPS-ISO Valves

Valve Bodies Type VPS - DIN Clamp (contd)



APV VPS-ISO Valves
Spindle for VPS - DIN/DIN Clamp

		DIN			
Dimension		NW40-50	NW65	NW80	NW100
A		75	95	107	133
B		144	151	174	191.5
C		82	106	118	147
D		158	166	190.5	211.5
E		37	55	67.5	91.5
F		6	6	6	7
G		6	6	6	7
H		41	58.8	74	92.5
J		45	57	65	90
K		-	-	45	64.5

		DIN			
Item	Dimension	NW40-50	NW65	NW80	NW100
1	Spindle Single	147271	172608	172609	172610
1.1	Stay Bolt	240948	240971	254823	240972
1.2	Valve Cone	240951	254828	254824	254827
2	O-Ring	705233	770552	770553	770554
3	Spindle Double	168913	168912	169162	169163
3.1	Stay Bolt	240946	254243	254826	238232
3.2	Valve Cone			240949	240928
3.3	Stay Bolt			254825	240926
3.4	Valve Cone			254824	254827
4	Valve Cone	240960	254829		
5	O-Ring	705234	705236	705237	705238

DIN-CLAMP				
NW25	NW40-50	NW65	NW80	NW100
80	85	105	117	143
112	154	161	184	201.5
87	92	116	128	157
122	168	176	200.5	221.5
30	37	55	67.5	91.5
7	6	6	6	7
7	6	6	6	7
29.5	41	58.8	74	92.5
34	45	57	65	90
-	-	-	45	64.5

DIN-CLAMP				
NW25	NW40-50	NW65	NW80	NW100
179798	171965	173825	174619	175658
260112	254538	254540	255221	255526
249347	240951	254828	254824	254827
773109	705233	770552	770553	770554
182938	169226	169223	169207	175659
255668	254541	255038	255220	256004
			240949	240928
			254825	240926
			254824	254827
260107	240960	254829		
770051	705234	705236	705237	705238