



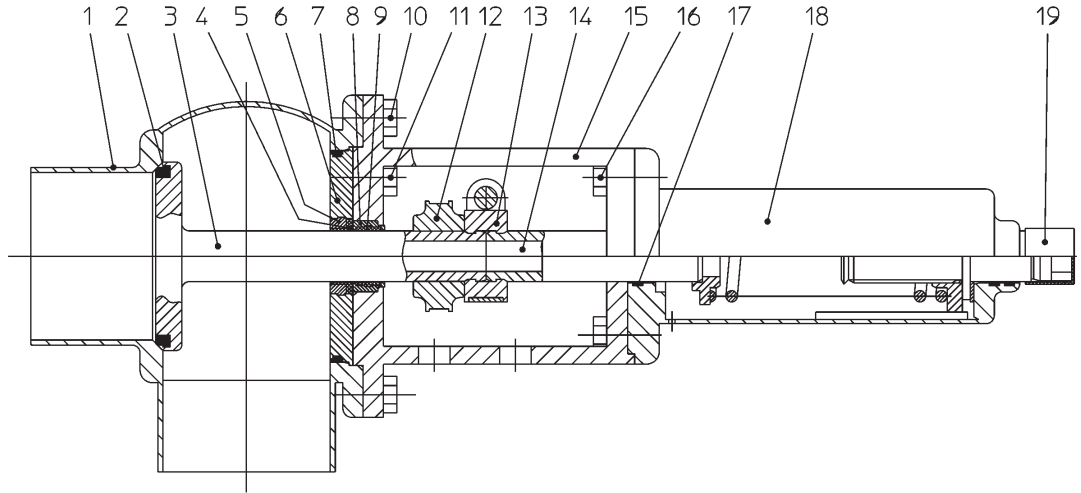
Delta UF3(A) & UFR3(A) Relief Valves

The following seal materials are available (fill in last two digits of ref.-no.)

*material seals:

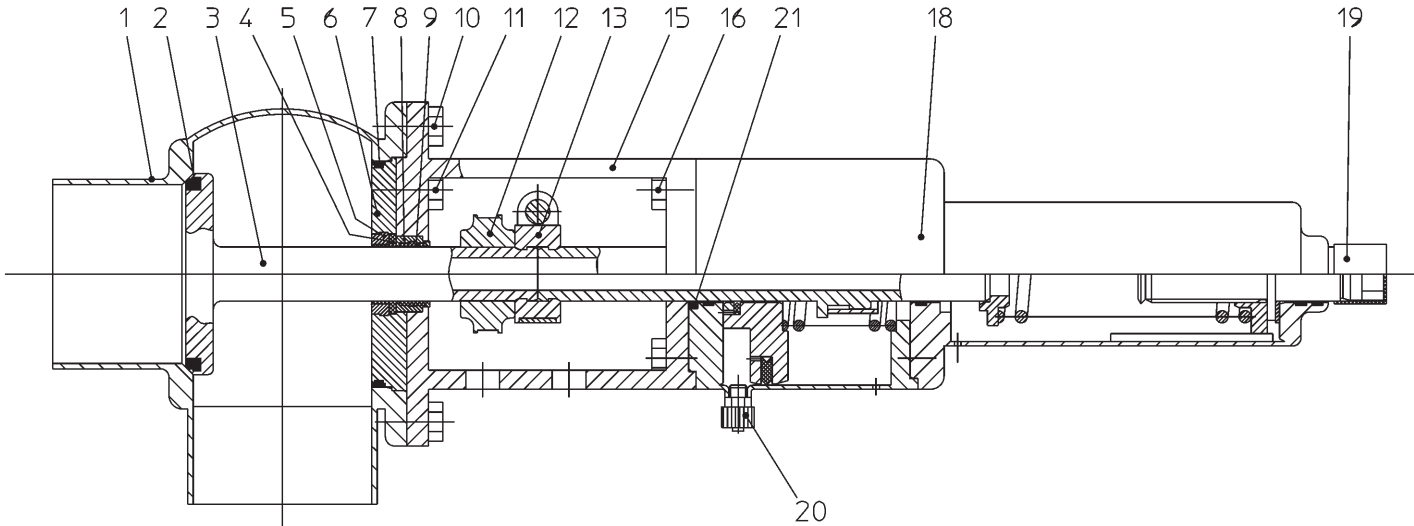
- ../13-Silicone
- ../33-HNBR
- ../73-Viton
- ../93-EPDM

For Silicone take the HNBR-housing seal.



				DELTA UF31 RELIEF VALVE SPRING LOADED 1-4 TUBE					
				1T	1.5T	2T	2.5T	3T	4T
Pos	Qty	Description		Part Number					
1	1	Housing	1+2S	15-41-324/47	15-41-424/47	15-41-474/47	15-41-524/47	15-41-551/47	15-41-674/47
2	1	Seat Seal	*	58-33-293/	58-33-393/	58-33-443/	58-33-493/	58-33-568/	58-33-643/
3	1	Shaft		15-22-317/46	15-22-417/46	15-22-467/46	15-22-517/46	15-22-559/46	15-22-667/46
4	1	Seal SW4		58-33-150/26	58-33-150/26	58-33-150/26	58-33-150/26	58-33-150/26	58-33-150/26
5	1	Seat Seal	*	58-33-293/	58-33-293/	58-33-293/	58-33-293/	58-33-293/	58-33-293/
6	1	Housing Cover		15-00-065/42	15-00-069/42	15-00-793/42	15-00-794/42	15-00-799/42	15-00-798/42
7	1	Housing Seal	*	58-33-292/	58-33-392/	58-33-442/	58-33-492/	58-33-567/	58-33-642/
8	1	Bushing		08-01-181/12	08-01-181/12	08-01-181/12	08-01-179/12	08-01-179/12	08-01-179/12
9	1	Bushing		08-01-178/93	08-01-178/93	08-01-178/93	08-01-178/93	08-01-178/93	08-01-178/93
10	4	Hex. Screw		65-01-081/15	65-01-081/15	65-01-081/15	65-01-081/15	65-01-081/15	65-01-130/15
11	1	Hex. Screw		65-01-056/13	65-01-081/15	65-01-081/15	65-01-081/15	65-01-081/15	65-01-081/15
12	1	Operating Cam		08-60-082/12	08-60-082/12	08-52-135/92	08-52-135/92	08-52-135/92	08-52-135/92
13	1	Coupling		08-52-110/13	08-52-110/13	08-52-110/13	08-52-110/13	08-52-110/13	08-52-110/13
14	1	Intermediate Piece		09-87-084/42	09-87-084/42	09-87-085/42	09-87-085/42	09-87-085/42	09-87-085/42
15	1	Yoke		16-40-091/17	16-40-385/17	16-40-435/17	16-40-485/17	16-40-560/17	16-40-635/17
16	4	Hex. Screw		65-01-079/15	65-01-079/15	65-01-079/15	65-01-079/15	65-01-079/15	65-01-079/15
17	1	PTFE Driving Band		08-39-079/93	08-39-079/93	08-39-079/93	08-39-079/93	08-39-079/93	08-39-079/93
18	1	Relief Actuator (Depending on Pressure Range Required)		Nr.31 16-30-170/17	Nr.32 16-30-171/17	Nr.33 16-30-172/17	Nr.34 16-30-173/17		
19	1	Cap		08-60-006/93	08-60-006/93	08-60-006/93	08-60-006/93	08-60-006/93	08-60-006/93
	1	Seal Kit	Viton	58-34-438/00	58-34-439/00	58-34-440/00	58-34-441/00	58-34-443/00	58-34-444/00
	1	Seal Kit	EPDM	58-34-438/01	58-34-439/01	58-34-440/01	58-34-441/01	58-34-443/01	58-34-444/01
	1	Seal Kit	Silicone	58-34-438/02	58-34-439/02	58-34-440/02	58-34-441/02	58-34-443/02	58-34-444/02
	1	Seal Kit	HNBR	58-34-438/06	58-34-439/06	58-34-440/06	58-34-441/06	58-34-443/06	58-34-444/06

APV Delta UF3(A) & UFR3(A) Relief Valves (contd)



The following seal materials are available (fill in last two digits of ref.-no.)

- * material seals:
- ../13-Silicone
- ../33-HNBR
- ../73-Viton
- ../93-EPDM

For Silicone take the HNBR-housing seal.



		DELTA UF31-A RELIEF VALVE SPRING LOADED WITH CYLINDER FOR CLEANING 1-4 TUBE							
				1T	1.5T	2T	2.5T	3T	4T
Pos	Qty	Description		Part Number					
1	1	Housing S21 1+2S		15-41-324/47	15-41-424/47	15-41-474/47	15-41-524/47	15-41-551/47	15-41-674/47
2	1	Seat Seal *		58-33-293/	58-33-393/	58-33-443/	58-33-493/	58-33-568/	58-33-643/
3	1	Shaft		15-22-317/46	15-22-417/46	15-22-467/46	15-22-517/46	15-22-559/46	15-22-667/46
4	1	Seal SW4		58-33-150/26	58-33-150/26	58-33-150/26	58-33-150/26	58-33-150/26	58-33-150/26
5	1	Seat Seal *		58-33-293/	58-33-293/	58-33-293/	58-33-293/	58-33-293/	58-33-293/
6	1	Housing Cover		15-00-065/42	15-00-069/42	15-00-793/42	15-00-794/42	15-00-799/42	15-00-798/42
7	1	Housing Seal *		58-33-292/	58-33-392/	58-33-442/	58-33-492/	58-33-567/	58-33-642/
8	1	Bushing		08-01-181/12	08-01-181/12	08-01-181/12	08-01-179/12	08-01-179/12	08-01-179/12
9	1	Bushing		08-01-178/93	08-01-178/93	08-01-178/93	08-01-178/93	08-01-178/93	08-01-178/93
10	4	Hex. Screw		65-01-081/15	65-01-081/15	65-01-081/15	65-01-081/15	65-01-081/15	65-01-130/15
11	1	Hex. Screw		65-01-056/13	65-01-081/15	65-01-081/15	65-01-081/15	65-01-081/15	65-01-081/15
12	1	Operating Cam		08-60-082/12	08-60-082/12	08-52-135/92	08-52-135/92	08-52-135/92	08-52-135/92
13	1	Coupling		08-52-110/113	08-52-110/113	08-52-110/113	08-52-110/113	08-52-110/113	08-52-110/113
15	1	Yoke		16-40-091/17	16-40-385/17	16-40-435/17	16-40-485/17	16-40-560/17	16-40-635/17
16	4	Hex. Screw		65-01-079/15	65-01-079/15	65-01-079/15	65-01-079/15	65-01-079/15	65-01-079/15
18	1	Spring Actuator with Cylinder for Cleaning		Nr.31-12 16-30-180/17	Nr.32-12 16-30-182/17	Nr.33-12 16-30-184/17	Nr.34-25 16-30-186/17		
(Depending on Pressure Range Required Use Corresponding Spring Actuator with Cylinder for Cleaning)					Nr.31-25 16-30-181/17	Nr.32-25 16-30-183/17	Nr.33-25 16-30-185/17		
19	1	Cap		08-60-006/93	08-60-006/93	08-60-006/93	08-60-006/93	08-60-006/93	08-60-006/93
20	1	Air Union		08-63-010/93	08-63-010/93	08-63-010/93	08-63-010/93	08-63-010/93	08-63-010/93
21	1	O-Ring		58-06-078/83	58-06-078/83	58-06-078/83	58-06-078/83	58-06-078/83	58-06-078/83
	1	Seal Kit Viton		58-34-438/00	58-34-439/00	58-34-440/00	58-34-441/00	58-34-443/00	58-34-444/00
	1	Seal Kit EPDM		58-34-438/01	58-34-439/01	58-34-440/01	58-34-441/01	58-34-443/01	58-34-444/01
	1	Seal Kit Silicone		58-34-438/02	58-34-439/02	58-34-440/02	58-34-441/02	58-34-443/02	58-34-444/02
	1	Seal Kit HNBR		58-34-438/06	58-34-439/06	58-34-440/06	58-34-441/06	58-34-443/06	58-34-444/06

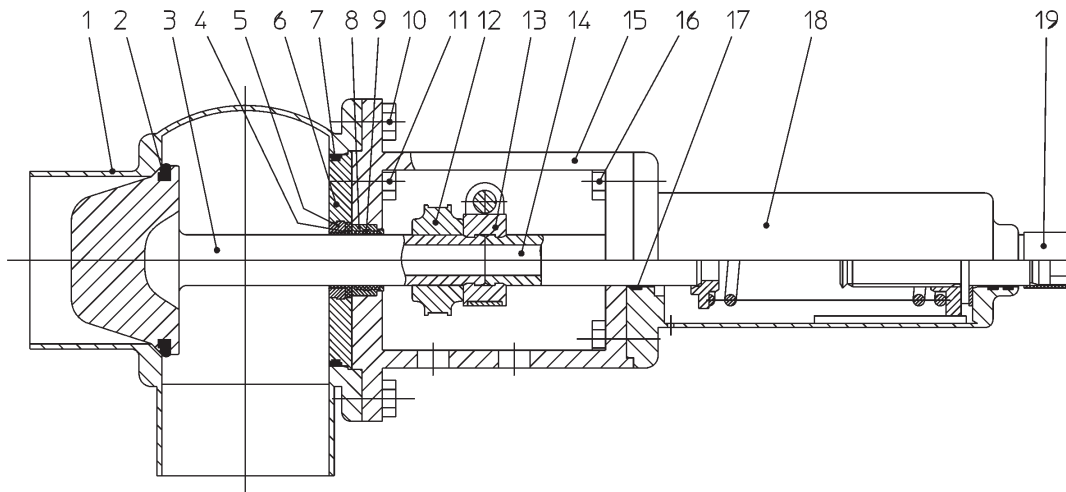
Delta UF3(A) & UFR3(A) Relief Valves (contd)

The following seal materials are available (fill in last two digits of ref.-no.)

*material seals:

- ../13-Silicone
- ../33-HNBR
- ../73-Viton
- ../93-EPDM

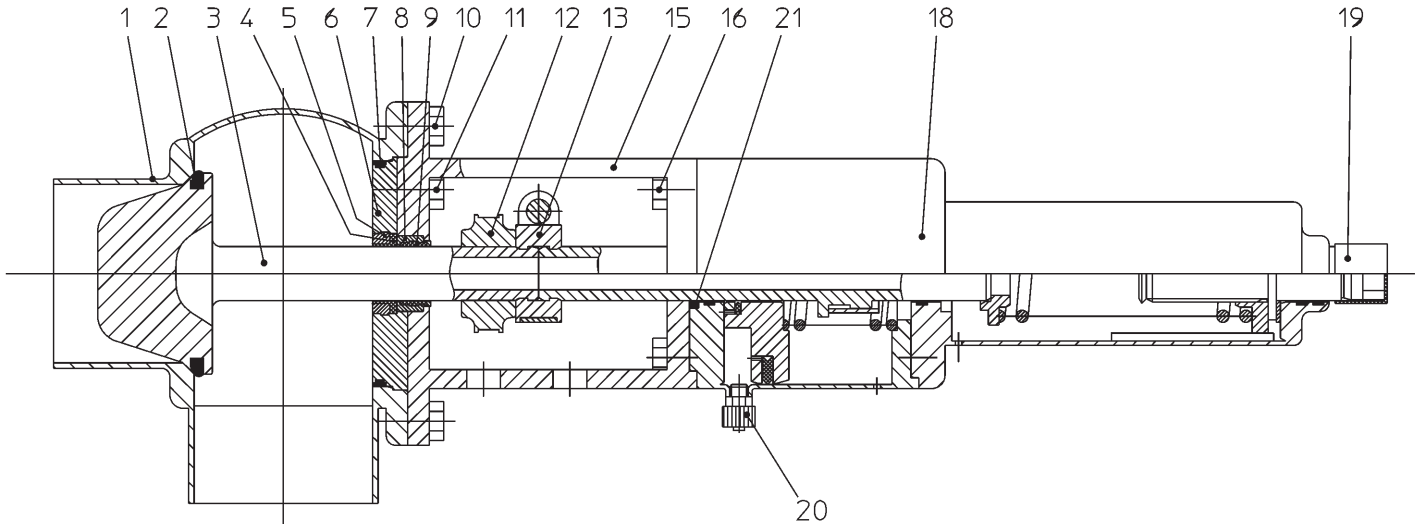
For Silicone take the HNBR-housing seal.



DELTA UFR31 RELIEF VALVE SPRING LOADED WITH THROTTLING CONE 1-4 TUBE

Pos	Qty	Description	Part Number					
			1T	1.5T	2T	2.5T	3T	4T
1	1	Housing S21 1+2S	15-41-324/47	15-41-424/47	15-41-474/47	15-41-524/47	15-41-551/47	15-41-674/47
2	1	Seat Seal *	58-33-294/	58-33-394/	58-33-444/	58-33-494/	58-33-569/	58-33-644/
3	1	Shaft	15-22-171/42	15-22-164/42	15-22-165/42	15-22-166/42	15-22-154/42	15-22-218/42
4	1	Seal SW4	58-33-150/26	58-33-150/26	58-33-150/26	58-33-150/26	58-33-150/26	58-33-150/26
5	1	Seat Seal *	58-33-293/	58-33-293/	58-33-293/	58-33-293/	58-33-293/	58-33-293/
6	1	Housing Cover	15-00-065/42	15-00-069/42	15-00-793/42	15-00-794/42	15-00-799/42	15-00-798/42
7	1	Housing Seal *	58-33-292/	58-33-392/	58-33-442/	58-33-492/	58-33-567/	58-33-642/
8	1	Bushing	08-01-181/12	08-01-181/12	08-01-181/12	08-01-179/12	08-01-179/12	08-01-179/12
9	1	Bushing	08-01-178/93	08-01-178/93	08-01-178/93	08-01-178/93	08-01-178/93	08-01-178/93
10	4	Hex. Screw	65-01-081/15	65-01-081/15	65-01-081/15	65-01-081/15	65-01-081/15	65-01-130/15
11	1	Hex. Screw	65-01-056/13	65-01-081/15	65-01-081/15	65-01-081/15	65-01-081/15	65-01-081/15
12	1	Operating Cam	08-60-082/12	08-60-082/12	08-52-135/92	08-52-135/92	08-52-135/92	08-52-135/92
13	1	Coupling	08-52-110/13	08-52-110/13	08-52-110/13	08-52-110/13	08-52-110/13	08-52-110/13
14	1	Intermediate Piece	09-87-084/42	09-87-084/42	09-87-085/42	09-87-085/42	09-87-085/42	09-87-085/42
15	1	Yoke	16-40-091/17	16-40-385/17	16-40-435/17	16-40-485/17	16-40-560/17	16-40-635/17
16	4	Hex. Screw	65-01-079/15	65-01-079/15	65-01-079/15	65-01-079/15	65-01-079/15	65-01-079/15
17	1	PTFE Driving Band	08-39-079/93	08-39-079/93	08-39-079/93	08-39-079/93	08-39-079/93	08-39-079/93
18	1	Relief Actuator (Depending on Pressure Range Required)	Nr.31 16-30-170/17	Nr.32 16-30-171/17	Nr.33 16-30-172/17	Nr.34 16-30-173/17		
19	1	Cap	08-60-006/93	08-60-006/93	08-60-006/93	08-60-006/93	08-60-006/93	08-60-006/93
	1	Seal Kit Viton	58-34-450/00	58-34-451/00	58-34-452/00	58-34-453/00	58-34-455/00	58-34-456/00
	1	Seal Kit EPDM	58-34-450/01	58-34-451/01	58-34-452/01	58-34-453/01	58-34-455/01	58-34-456/01
	1	Seal Kit Silicone	58-34-450/02	58-34-451/02	58-34-452/02	58-34-453/02	58-34-455/02	58-34-456/02
	1	Seal Kit HNBR	58-34-450/06	58-34-451/06	58-34-452/06	58-34-453/06	58-34-455/06	58-34-456/06

APV Delta UF3(A) & UFR3(A) Relief Valves (contd)



The following seal materials are available (fill in last two digits of ref.-no.)

- * material seals:
- ../13-Silicone
- ../33-HNBR
- ../73-Viton
- ../93-EPDM

For Silicone take the HNBR-housing seal.



DELTA UFR31-A RELIEF VALVE SPRING LOADED WITH THROTTLING CONE & CYLINDER FOR CLEANING 1-4 TUBE

Pos	Qty	Description	Part Number						
			1T	1.5T	2T	2.5T	3T	4T	
1	1	Housing S21 1+2S	15-41-324/47	15-41-424/47	15-41-474/47	15-41-524/47	15-41-551/47	15-41-674/47	
2	1	Seat Seal *	58-33-294/	58-33-394/	58-33-444/	58-33-494/	58-33-569/	58-33-644/	
3	1	Shaft	15-22-171/42	15-22-164/42	15-22-165/42	15-22-166/42	15-22-154/42	15-22-218/42	
4	1	Seal SW4	58-33-150/26	58-33-150/26	58-33-150/26	58-33-150/26	58-33-150/26	58-33-150/26	
5	1	Seat Seal *	58-33-293/	58-33-293/	58-33-293/	58-33-293/	58-33-293/	58-33-293/	
6	1	Housing Cover	15-00-065/42	15-00-069/42	15-00-793/42	15-00-794/42	15-00-799/42	15-00-798/42	
7	1	Housing Seal *	58-33-292/	58-33-392/	58-33-442/	58-33-492/	58-33-567/	58-33-642/	
8	1	Bushing	08-01-181/12	08-01-181/12	08-01-181/12	08-01-179/12	08-01-179/12	08-01-179/12	
9	1	Bushing	08-01-178/93	08-01-178/93	08-01-178/93	08-01-178/93	08-01-178/93	08-01-178/93	
10	4	Hex. Screw	65-01-081/15	65-01-081/15	65-01-081/15	65-01-081/15	65-01-081/15	65-01-130/15	
11	1	Hex. Screw	65-01-056/13	65-01-081/15	65-01-081/15	65-01-081/15	65-01-081/15	65-01-081/15	
12	1	Operating Cam	08-60-082/12	08-60-082/12	08-52-135/92	08-52-135/92	08-52-135/92	08-52-135/92	
13	1	Coupling	08-52-110/13	08-52-110/13	08-52-110/13	08-52-110/13	08-52-110/13	08-52-110/13	
15	1	Yoke	16-40-091/17	16-40-385/17	16-40-435/17	16-40-485/17	16-40-560/17	16-40-635/17	
16	4	Hex. Screw	65-01-079/15	65-01-079/15	65-01-079/15	65-01-079/15	65-01-079/15	65-01-079/15	
18	1	Spring Actuator with Cylinder for Cleaning (Depending on Pressure Range Required Use Corresponding Spring Actuator with Cylinder for Cleaning)	Nr.31-12 16-30-180/17	Nr.32-12 16-30-182/17	Nr.33-12 16-30-184/17	Nr.34-25 16-30-186/17	Nr.31-25 16-30-181/17	Nr.32-25 16-30-183/17	Nr.33-25 16-30-185/17
19	1	Cap	08-60-006/93	08-60-006/93	08-60-006/93	08-60-006/93	08-60-006/93	08-60-006/93	
20	1	Air Union	08-63-010/93	08-63-010/93	08-63-010/93	08-63-010/93	08-63-010/93	08-63-010/93	
21	1	O-Ring	58-06-078/83	58-06-078/83	58-06-078/83	58-06-078/83	58-06-078/83	58-06-078/83	
	1	Seal Kit Viton	58-34-450/00	58-34-451/00	58-34-452/00	58-34-453/00	58-34-455/00	58-34-456/00	
	1	Seal Kit EPDM	58-34-450/01	58-34-451/01	58-34-452/01	58-34-453/01	58-34-455/01	58-34-456/01	
	1	Seal Kit Silicone	58-34-450/02	58-34-451/02	58-34-452/02	58-34-453/02	58-34-455/02	58-34-456/02	
	1	Seal Kit HNBR	58-34-450/06	58-34-451/06	58-34-452/06	58-34-453/06	58-34-455/06	58-34-456/06	