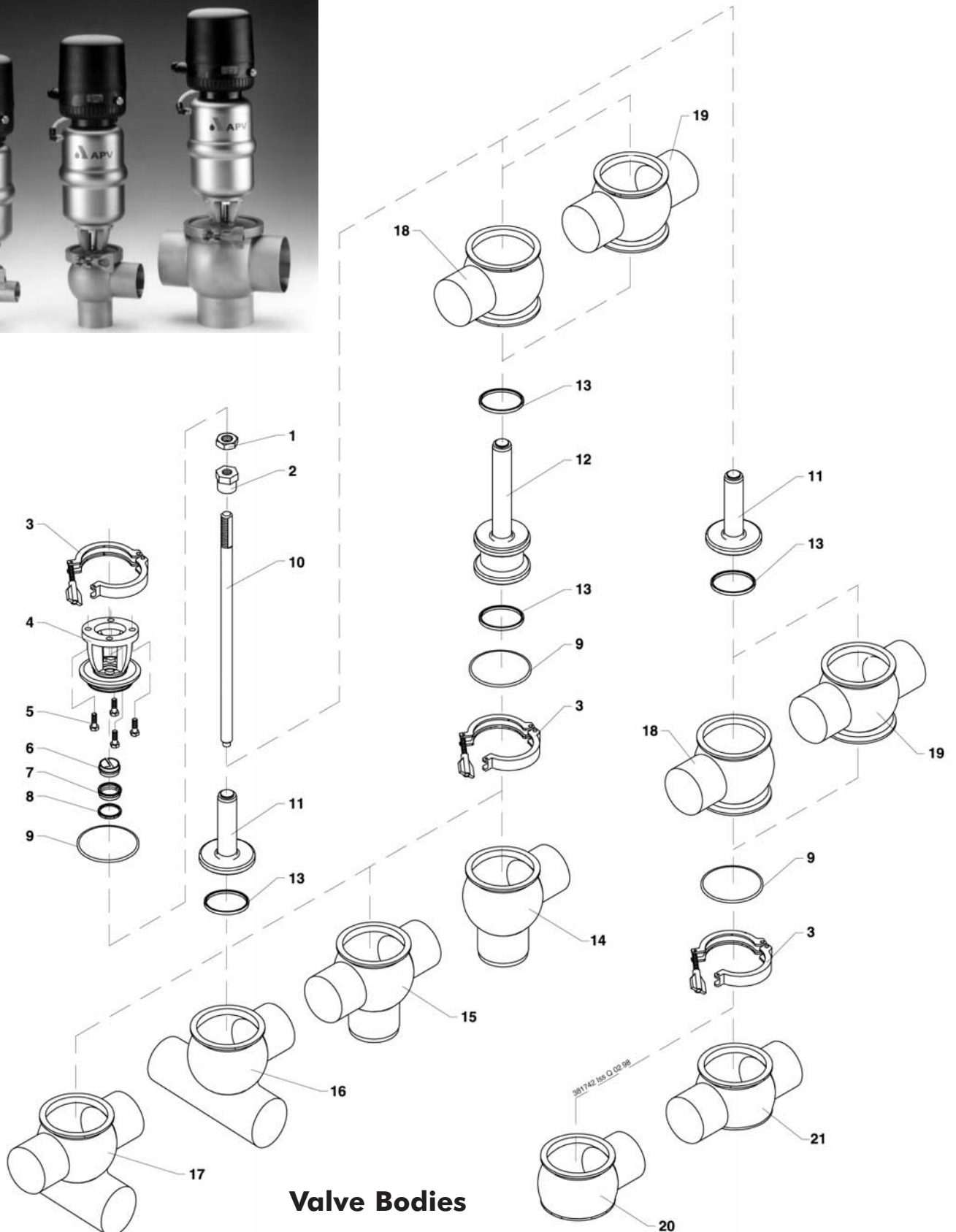


**APV Delta SW4 Single Seal Valve**





## Delta SW4 Single Seal Valve Bodies (contd)

			Ø25	Ø38	Ø51	Ø63.5	Ø76	Ø101.6
Item	Qty	Description	Part No.					
1	1	Nut	65-50-101/15	65-50-101/15	65-50-101/15	65-50-101/15	65-50-101/15	65-50-101/15
2	1	Center Washer	15-28-940/12	15-28-940/12	15-28-940/12	15-28-940/12	15-28-940/12	15-28-940/12
3	1-2	Clamp	42-40-287/17	42-40-387/17	42-40-437/17	42-40-487/17	42-40-537/17	42-40-637/17
4	1	Yoke	15-40-960/47	15-40-961/47	15-40-962/47	15-40-964/47	15-40-965/47	15-40-967/47
5	4	Screw	65-01-081/15	65-01-081/15	65-01-081/15	65-01-081/15	65-01-083/15	65-01-083/15
6	1	Bushing	08-01-178/93	08-01-178/93	08-01-178/93	08-01-178/93	08-01-178/93	08-01-178/93
7	1	Shaft Seal	58-33-150/26	58-33-150/26	58-33-150/26	58-33-150/26	58-33-150/26	58-33-150/26
8	1	Seat Seal	58-33-293/**	58-33-293/**	58-33-293/**	58-33-293/**	58-33-293/**	58-33-293/**
9	1-2	Body Seal	58-33-267/**	58-33-292/**	58-33-124/**	58-33-125/**	58-33-126/**	58-33-127/**
10	1	Guide Rod	15-23-850/12	15-23-850/12	15-23-851/12	15-23-851/12	15-23-852/12	15-23-852/12
11	1	Shaft-Single	15-25-303/42	15-25-403/42	15-25-453/42	15-25-503/42	15-25-553/42	15-25-653/42
12	1	Shaft-double	15-25-304/42	15-25-404/42	15-25-454/42	15-25-504/42	15-25-554/42	15-25-654/42
13	1-2	Seat Seal	58-33-293/**	58-33-393/**	58-33-443/**	58-33-109/**	58-33-568/**	58-33-643/**
14	1	L - Valve Body	15-60-315/47	15-60-415/47	15-60-465/47	15-60-515/47	15-60-565/47	15-60-665/47
15	1	T - Valve Body	15-61-315/47	15-61-415/47	15-61-465/47	15-61-515/47	15-61-565/47	15-61-665/47
16	1	KLT - Valve Body	15-66-305/47	15-66-405/47	15-66-455/47	15-66-505/47	15-66-555/47	15-66-655/47
17	1	KTT - Valve Body	15-67-305/47	15-67-405/47	15-67-455/47	15-67-505/47	15-67-555/47	15-67-655/47
18	1	L - Valve Body Upper Part	15-62-010/47	15-62-011/47	15-62-012/47	15-62-013/47	15-62-014/47	15-62-015/47
19	1	T - Valve Body Upper Part	15-63-010/47	15-63-011/47	15-63-012/47	15-63-013/47	15-63-014/47	15-63-015/47
20	1	S - Valve Body	15-60-110/47	15-60-111/47	15-60-112/47	15-60-113/47	15-60-114/47	15-60-115/47
21	1	D - Valve Body						

\*\* /33: HNBR; /73: Viton; /93: EPDM, /13: Silicone\*\*\*

\*\*\* When seat seals are made of silicone, the body seal (pos.9) is to be made of EPDM

\* Only for L, T, KLT and KTT bodies.

			Ø25	Ø38	Ø51	Ø63.5	Ø76	Ø101.6
Item	Qty	Description	Part No.					
-	1	Seal Kit Viton	58-34-700/00	58-34-701/00	58-34-702/00	58-34-710/00	58-34-711/00	58-34-705/00
-	1	Seal Kit EPDM	58-34-700/01	58-34-701/01	58-34-702/01	58-34-710/01	58-34-711/01	58-34-705/01
-	1	Seal Kit Silicone	58-34-700/02	58-34-701/02	58-34-702/02	58-34-710/02	58-34-711/02	58-34-705/02
-	1	Seal Kit HNBR	58-34-700/06	58-34-701/06	58-34-702/06	58-34-710/06	58-34-711/06	58-34-705/06

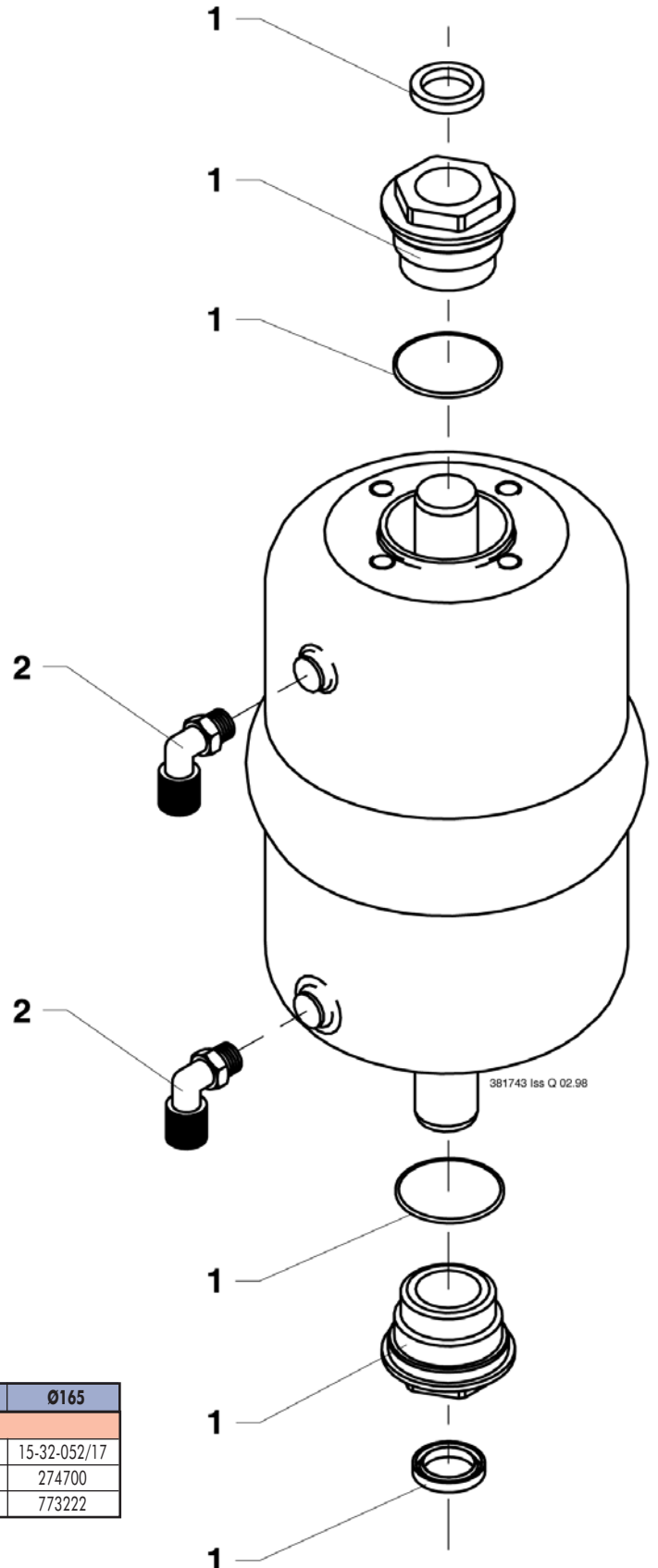
\* Only for LS, LD, TS & TD bodies.

			Ø25	Ø38	Ø51	Ø63.5	Ø76	Ø101.6
Item	Qty	Description	Part No.					
-	1	Seal Kit Viton	58-34-715/00	58-34-716/00	58-34-717/00	58-34-725/00	58-34-726/00	58-34-720/00
-	1	Seal Kit EPDM	58-34-715/01	58-34-716/01	58-34-717/01	58-34-725/01	58-34-726/01	58-34-720/01
-	1	Seal Kit Silicone	58-34-715/02	58-34-716/02	58-34-717/02	58-34-725/02	58-34-726/02	58-34-720/02
-	1	Seal Kit HNBR	58-34-715/06	58-34-716/06	58-34-717/06	58-34-725/06	58-34-726/06	58-34-720/06

\* Only for LL, LT, TT & TL bodies.

			Ø25	Ø38	Ø51	Ø63.5	Ø76	Ø101.6
Item	Qty	Description	Part No.					
-	1	Seal Kit Viton	58-34-730/00	58-34-731/00	58-34-732/00	58-34-733/00	58-34-734/00	58-34-735/00
-	1	Seal Kit EPDM	58-34-730/01	58-34-731/01	58-34-732/01	58-34-733/01	58-34-734/01	58-34-735/01
-	1	Seal Kit Silicone	58-34-730/02	58-34-731/02	58-34-732/02	58-34-733/02	58-34-734/02	58-34-735/02
-	1	Seal Kit HNBR	58-34-730/06	58-34-731/06	58-34-732/06	58-34-733/06	58-34-734/06	58-34-735/06

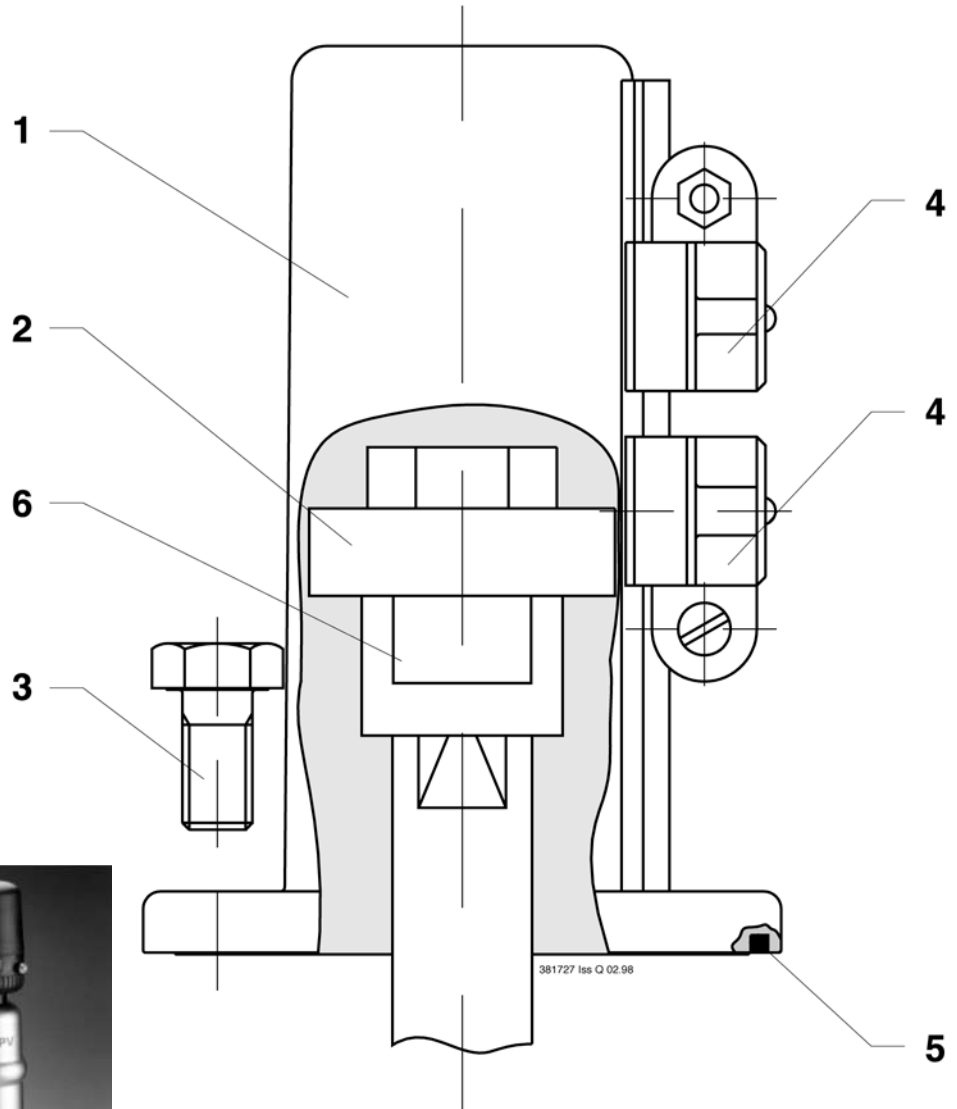
**APV Delta SW4 Single Seal Valve Actuator**



Item	Qty	Description	Ø74	Ø110	Ø165
			Part No.		
-	-	Actuator Complete	15-32-050/17	15-32-051/17	15-32-052/17
1	2	Seal Bearing	274700	274700	274700
2	2	Air Fitting	773222	773222	773222



## Delta SW4 Single Seal Valve Proximity Holder with Switch Holder



Item	Qty	Description	NW25	NW40	NW50	NW65	NW80	NW100
			Part No.					
1	1	Proximity Box	08-05-075/93	08-05-075/93	08-05-075/93	08-05-075/93	08-05-075/93	08-05-075/93
2	1	Actuator Screw	08-52-290/97	08-52-291/97	08-52-291/97	08-52-291/97	08-52-291/97	08-52-291/97
3	4	Screw	700234	700234	700234	700234	700234	700234
4	2	Proximity Holder	15-33-933/93	15-33-933/93	15-33-933/93	15-33-933/93	15-33-933/93	15-33-933/93
5	1	O-Ring	58-06-297/83	58-06-297/83	58-06-297/83	58-06-297/83	58-06-297/83	58-06-297/83
6	1	Centering Nut	15-28-940/12	15-28-940/12	15-28-940/12	15-28-940/12	15-28-940/12	15-28-940/12