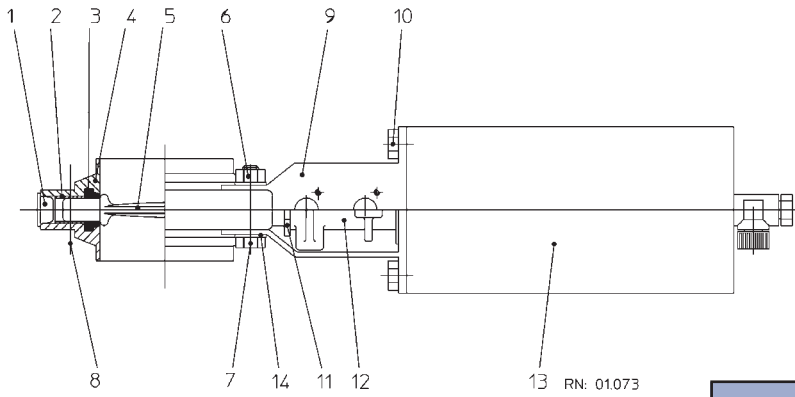


Delta SV1 Butterfly Valve



The following seal materials are available (fill in last two digits of ref.-no.)

* material seals:

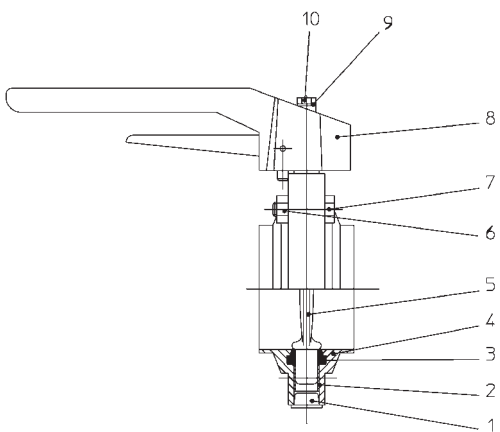
- ../13-Silicone
- ../73-Viton
- ../93-EPDM

** material metallic

- ../13-14301 polished
- ../43-14404 polished
- ../17-14301 satin finish
- ../47-14404 satin finish



								DELTA SV1 BUTTERFLY VALVE 1-4 TUBE 1+2S					
								1T	1.5T	2T	2.5T	3T	4T
								Part Number					
1	1	Plug		08-74-010/93	08-74-010/93	08-74-010/93	08-74-010/93						
2	2	Bearing		08-01-150/93	08-01-150/93	08-01-150/93	08-01-150/93	08-01-150/93	08-01-150/93	08-01-151/93	08-01-151/93		
3	1	Seal SV *		58-33-325/	58-33-425/	58-33-475/	58-33-525/	58-33-503/	58-33-675/				
4	2	Housing Half **		09-94-319/	09-94-419/	09-94-469/	09-94-519/	09-94-552/	09-94-669/				
5	1	Disc		08-55-318/43	08-55-418/43	08-55-468/43	08-55-518/43	08-55-527/63	08-55-668/63				
6		Hex. Nut		65-50-060/15x4	65-50-060/15x4	65-50-060/15x4	65-50-060/15x4	65-50-060/15x6	65-50-060/15x6				
7	2	Hex. Screw		65-01-095/15	65-01-095/15	65-01-095/15	65-01-095/15	65-01-095/15	65-01-095/15	65-01-095/15	65-01-095/15		
8		Hex. Screw		65-01-085/15x2	65-01-085/15x2	65-01-085/15x2	65-01-085/15x2	65-01-085/15x4	65-01-085/15x4				
9	1	Yoke		15-40-030/17	15-40-816/17	15-40-816/17	15-40-025/17	15-40-025/17	15-40-025/17				
10	2	Hex. Screw		65-01-080/15	65-01-080/15	65-01-080/15	65-01-080/15	65-01-080/15	65-01-129/15	65-01-129/15			
11	1	Position Indicator		08-29-021/93	08-29-021/93	08-29-021/93	08-29-021/93	08-29-021/93	08-29-021/93				
12	1	Coupling		08-52-050/17	08-52-050/17	08-52-050/17	08-52-050/17	08-52-050/17	08-52-050/17				
13	1	Actuator Spring/Air		15-30-055/17	15-30-055/17	15-30-055/17	15-30-055/17	15-30-055/17	15-30-055/17				
14	1	Actuator Double/Air		15-30-065/17	15-30-065/17	15-30-065/17	15-30-065/17	15-30-065/17	15-30-065/17				
15	4	Washer		67-01-022/15	67-01-022/15	67-01-022/15	67-01-022/15	67-01-022/15	67-01-022/15				



The following seal materials are available (fill in last two digits of ref.-no.)

* material seals:

- ../13-Silicone
- ../73-Viton
- ../93-EPDM

** material metallic

- ../13-14301 polished
- ../43-14404 polished
- ../23-14401 polished
- ../17-14301 satin finish
- ../47-14404 satin finish



								DELTA SV1 BUTTERFLY VALVE - MANUAL 1-4 TUBE 1+2S					
								1T	1.5T	2T	2.5T	3T	4T
								Part Number					
1	1	Plug		08-74-010/93	08-74-010/93	08-74-010/93	08-74-010/93						
2	2	Bearing		08-01-150/93	08-01-150/93	08-01-150/93	08-01-150/93	08-01-150/93	08-01-151/93	08-01-151/93			
3	1	Seal SV *		58-33-325/	58-33-425/	58-33-475/	58-33-525/	58-33-503/	58-33-675/				
4	2	Housing Half **		09-94-319/	09-94-419/	09-94-469/	09-94-519/	09-94-552/	09-94-669/				
5	1	Disc		08-55-318/43	08-55-418/43	08-55-468/43	08-55-518/43	08-55-527/63	08-55-668/63				
6		Hex. Nut		65-50-060/15x4	x4	x4	x4	x6	x6				
7		Hex. Screw		65-01-085/15x4	x4	x4	x4	x6	x6				
8	1	Handle		08-41-064/93	08-41-065/93	08-41-065/93	08-41-065/93	08-41-065/93	08-41-065/93				
9	1	Hex. Screw		65-01-037/15	65-01-037/15	65-01-037/15	65-01-037/15	65-01-037/15	65-01-037/15				
10	1	Safety Washer		67-01-010/93	67-01-010/93	67-01-010/93	67-01-010/93	67-01-010/93	67-01-010/93				



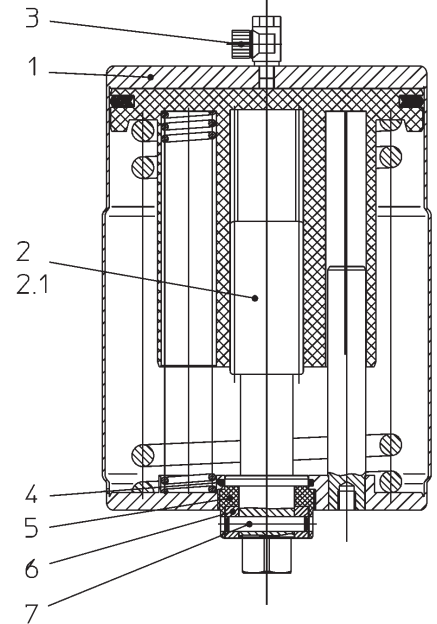
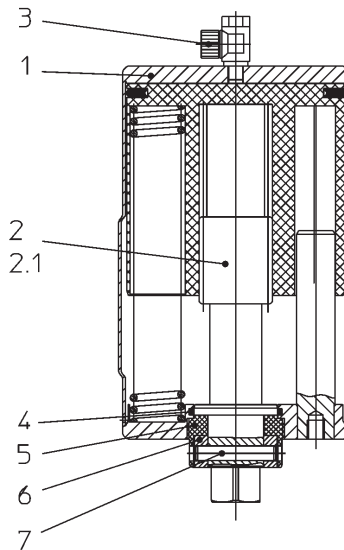
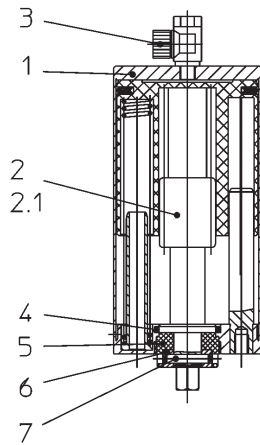
Delta SV1 Butterfly Valve Actuator

The following materials
are available (fill in last
two digits of ref.-no.)

material metallic

../13-1.4301 polished

../17-1.4301 satin finish

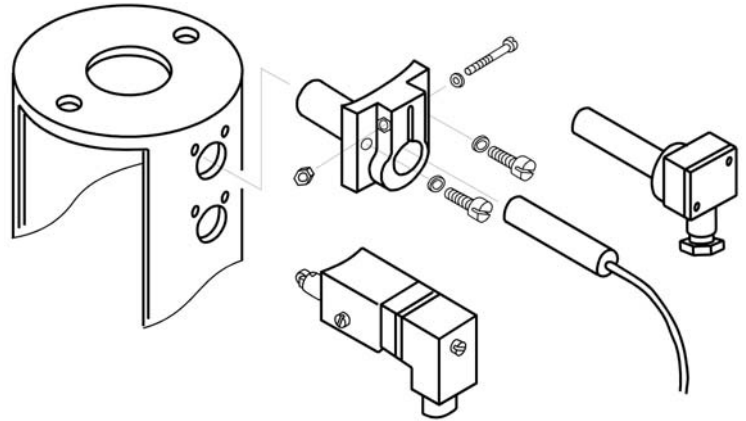


ACTUATOR K-80, K-125, K-180 SPRING/AIR

Pos	Qty	Description	Part Number		
			K-80	K-125	K180
	1	Actuator-Complete *	15-31-055/	15-31-057/	15-31-923/
1	1	Actuator-Welded *	15-31-054/	15-31-056/	15-31-922/
2	1	Shaft Complete with Bearing	15-24-021/13	15-24-031/13	15-24-033/13
2.1	1	Shaft	15-24-020/13	15-24-030/13	15-24-032/13
3	1	Union	08-62-002/93	08-62-002/93	08-62-002/93
4	1	O-Ring	58-06-130/83	58-06-222/73	58-06-222/73
5	1	Bearing for Actuator	15-28-002/34	15-28-009/63	15-28-009/63
6	1	Adjust Ring	67-08-007/13	67-08-008/13	67-08-008/13
7	1	Cyl. Pin	67-15-035/13	67-15-036/13	67-15-036/13

Delta SV1 Butterfly Valve Position Indicator

Description	Part No.
Proximity Switch Complete IHP with LED and 5m Cable	15-33-023/33
Proximity Switch Complete IHPK with Cable Connection Housing and LED	15-33-140/33
Micro Switch Complete	15-33-026/93
Single	
IHP and LED with 5m Cable (Without Support)	08-60-011/93
IHPK with Cable Connection Housing and LED (Without Support)	08-60-145/93
Support for Proximity Switches IHP and IHPK	15-33-914/83
Technical Data: Proximity Switch with Three- Core Cable	
Operating Voltage 10 - 30 V DC	
PNP Positive Switching, Closing Function	
Nominal Operating Distance 5mm	
Installation Nonflush	



Delta SVS1F Butterfly Valve

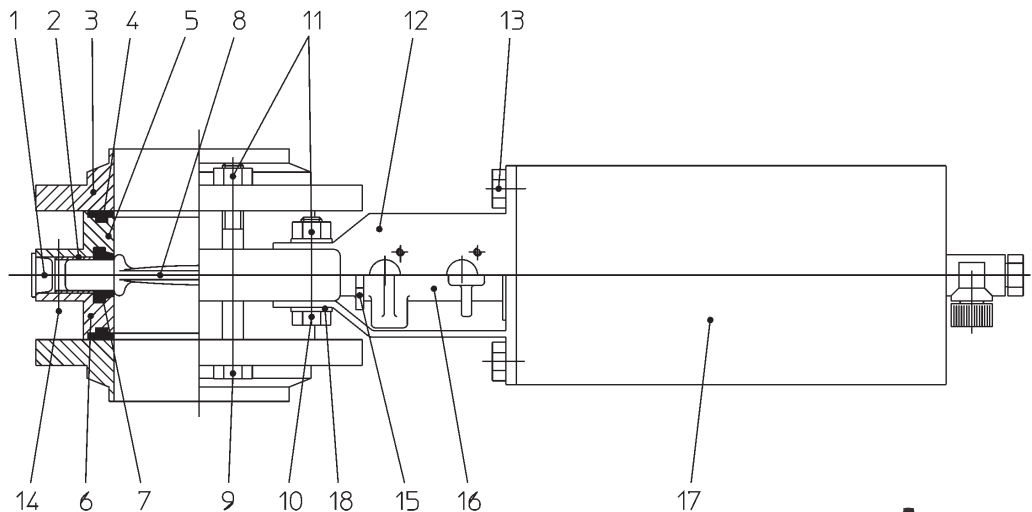
The following seal materials are available (fill in last two digits of ref.-no.)

*material seals:

- ../13- Silicone
- ../73- Viton
- ../93- EPDM

*material metallic

- ../13-1.4301 polished
- ../43-1.4404 polished
- ../17-1.4301 satin finish
- ../47-1.4404 satin finish



DELTA SVS1F-A BUTTERFLY VALVE 1-4 TUBE 1+2S

Pos	Qty	Description	Part Number					
			1T	1.5T	2T	2.5T	3T	4T
1	1	Plug	08-74-010/93	08-74-010/93	08-74-010/93	08-74-010/93		
2	2	Bearing	08-01-150/93	08-01-150/93	08-01-150/93	08-01-150/93	08-01-150/93	08-01-151/93
3	2	Flange FG1	09-51-308/	09-51-408/	09-51-458/	09-51-508/	09-51-552/	09-51-658/
4	2	Seal FGN1 *	58-32-305/	58-32-405/	58-32-455/	58-32-505/	58-32-555/	58-32-655/
5		Housing Half I **	09-94-316/-2x	09-94-416/-1x	09-94-466/-1x	09-94-516/-1x	09-94-566/-1x	09-94-666/-2x
6		Housing Half II **		09-94-417/-1x	09-94-467/-1x	09-94-517/-1x	09-94-567/-1x	
7	1	Seal SV *	58-33-325/	58-33-425/	58-33-475/	58-33-525/	58-33-503/	58-33-675/
8	1	Disc	08-55-318/43	08-55-418/43	08-55-468/43	08-55-518/63	08-55-527/63	08-55-668/63
9		Hex. Screw	65-01-093/13-2x	4x	4x	4x	4x	6x
10	2	Hex. Screw	65-01-095/15	65-01-095/15	65-01-095/15	65-01-095/15	65-01-095/15	65-01-095/15
11		Hex. Screw	65-50-060/15-6x	8x	8x	8x	8x	10x
12	1	Yoke	15-40-030/17	15-40-816/17	15-40-816/17	15-40-025/17	15-40-025/17	15-40-025/17
13	2	Hex. Screw	65-01-080/15	65-01-080/15	65-01-080/15	65-01-080/15	65-01-080/15	65-01-080/15
14	2	Hex. Screw	65-01-085/15	65-01-085/15	65-01-085/15	65-01-085/15	65-01-085/15	65-01-085/15
15	1	Position Indicator	08-29-021/93	08-29-021/93	08-29-021/93	08-29-021/93	08-29-021/93	08-29-021/93
16	1	Coupling	08-52-050/17	08-52-050/17	08-52-050/17	08-52-050/17	08-52-050/17	08-52-050/17
17	1	Actuator Spring/Air	15-31-055/17	15-31-055/17	15-31-055/17	15-31-055/17	15-31-055/17	15-31-055/17
18	1	Actuator Double/Air	15-31-065/17	15-31-065/17	15-31-065/17	15-31-065/17	15-31-065/17	15-31-065/17





Delta SVS1F Butterfly Valve Manual

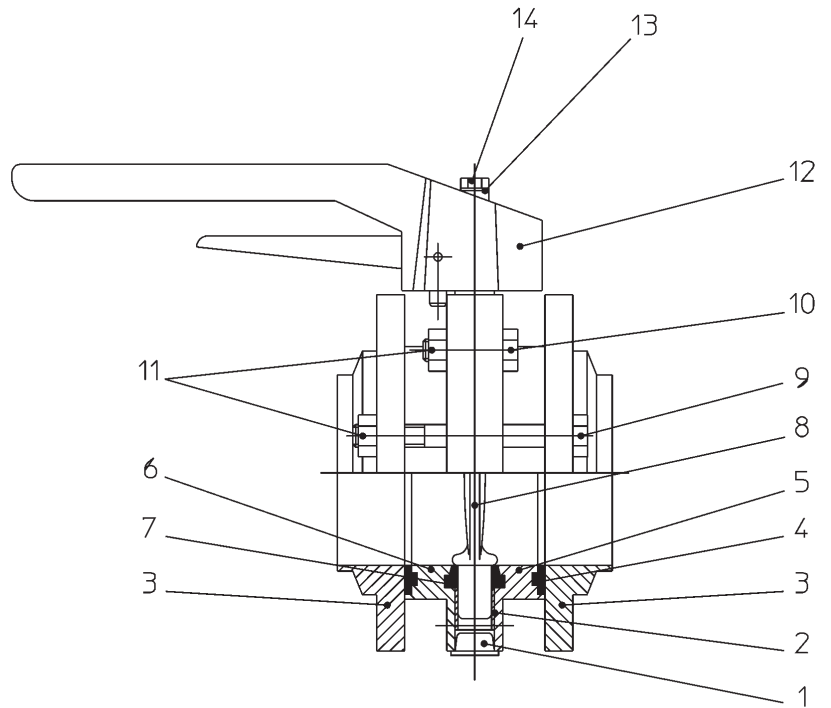
The following seal materials are available (fill in last two digits of ref.-no.)

*material seals:

- ../13-Silicone
- ../73-Viton
- ../93-EPDM

**material metallic

- ../13-1.4301 polished
- ../43-1.4404 polished
- ../17-1.4301 satin finish
- ../47-1.4404 satin finish



DELTA SVSF1-A BUTTERFLY VALVE MANUAL 1-4 TUBE 1+2S

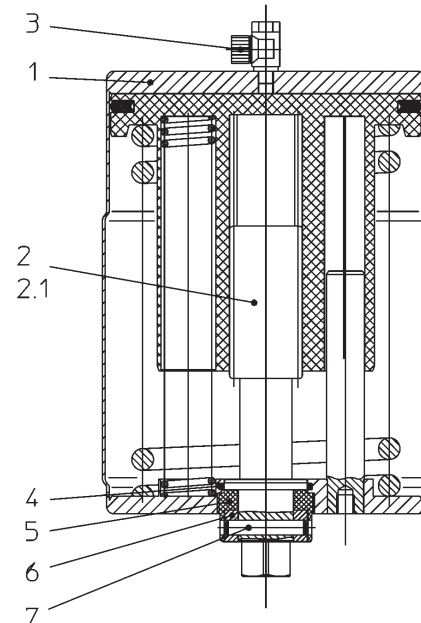
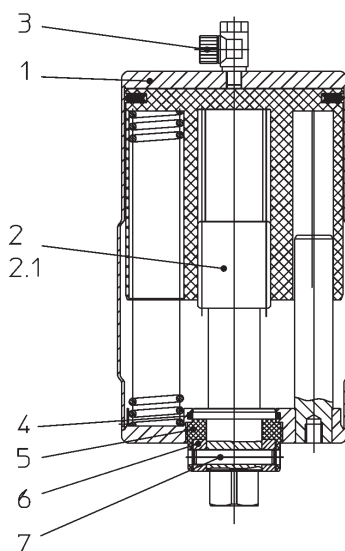
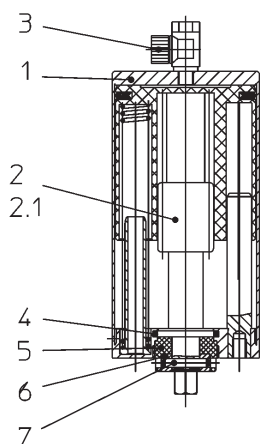
Pos	Qty	Description	Part Number					
			1T	1.5T	2T	2.5T	3T	4T
1	1	Plug	08-74-010/93	08-74-010/93	08-74-010/93	08-74-010/93		
2	2	Bearing	08-01-150/93	08-01-150/93	08-01-150/93	08-01-150/93	08-01-150/93	08-01-151/93
3	2	Flange FG1 **	09-51-308/	09-51-408/	09-51-458/	09-51-508/	09-51-552/	09-51-658/
4	2	Seal FGN1 *	58-32-305/	58-32-405/	58-32-455/	58-32-505/	58-32-555/	58-32-655/
5		Housing Half I **	09-94-316/-2x	09-94-416/-1x	09-94-466/-1x	09-94-516/-1x	09-94-566/-1x	09-94-666/-2x
6		Housing Half II **		09-94-417/-1x	09-94-467/-1x	09-94-517/-1x	09-94-567/-1x	
7	1	Seal SV *	58-33-325/	58-33-425/	58-33-475/	58-33-525/	58-33-503/	58-33-675/
8	1	Disc	08-55-318/43	08-55-418/43	08-55-468/43	08-55-518/63	08-55-527/63	08-55-668/63
9		Hex. Screw	65-01-093/13-2x	4x	4x	4x	4x	6x
10	4	Hex. Screw	65-01-085/15	65-01-085/15	65-01-085/15	65-01-085/15	65-01-085/15	65-01-085/15
11		Hex. Nut	65-50-060/15-6x	8x	8x	8x	8x	10x
12	1	Handle	08-41-064/93	08-41-065/93	08-41-065/93	08-41-065/93	08-41-065/93	08-41-065/93
13	2	Safety Washer	67-01-010/93	67-01-010/93	67-01-010/93	67-01-010/93	67-01-010/93	67-01-010/93
14	2	Hex. Screw	65-01-037/15	65-01-037/15	65-01-037/15	65-01-037/15	65-01-037/15	65-01-037/15



Delta SVS1F Actuator K-80, K-125, K-180 Spring/Air

The following materials are available (fill in last two digits of ref.-no.)

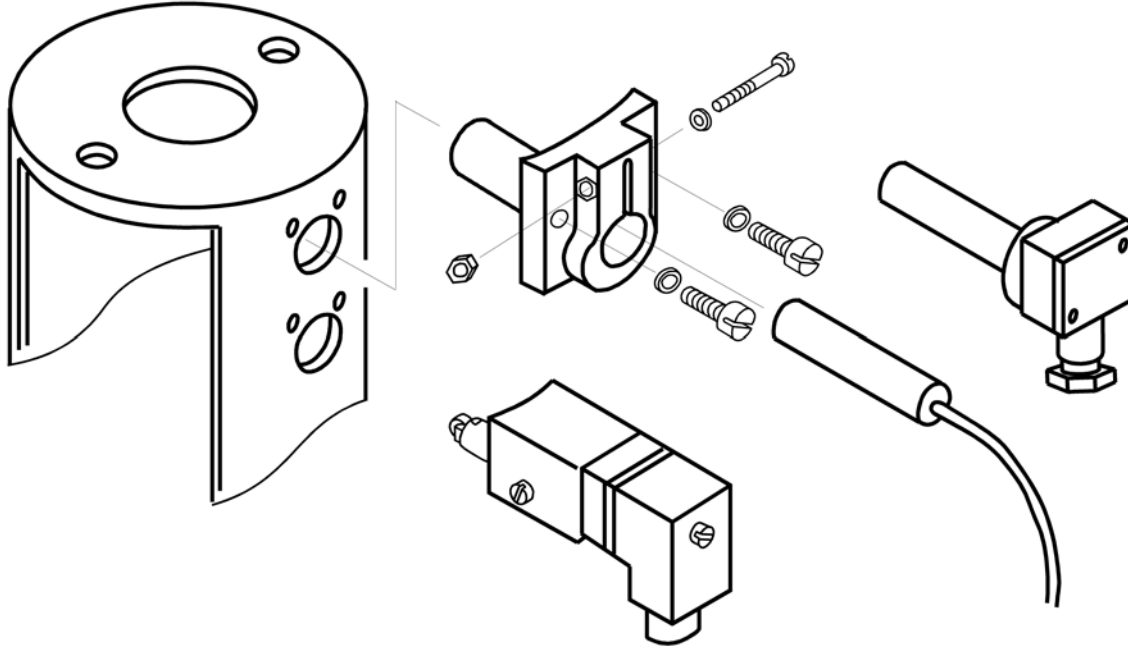
- *material metallic
- ../13-14301 polished
- ../17-14301 satin finish



ACTUATOR K-80, K-125, K-180 SPRING/AIR

Pos	Qty	Description	Part Number		
			K-80	K-125	K180
	1	Actuator-Complete *	15-31-055/	15-31-057/	15-31-923/
1	1	Actuator-Welded *	15-31-054/	15-31-056/	15-31-922/
2	1	Shaft Complete with Bearing	15-24-021/13	15-24-031/13	15-24-033/13
2.1	1	Shaft	15-24-020/13	15-24-030/13	15-24-032/13
3	1	Union	08-62-002/93	08-62-002/93	08-62-002/93
4	1	O-Ring	58-06-130/83	58-06-222/73	58-06-222/73
5	1	Bearing for Actuator	15-28-002/34	15-28-009/63	58-06-222/73
6	1	Adjust Ring	67-08-007/13	67-08-008/13	58-06-222/73
7	1	Cyl. Pin	67-15-035/13	67-15-036/13	58-06-222/73

 **Delta SVS1F Butterfly Valve Position Indicator**



Description	Part No.
Proximity Switch Complete IHP with LED and 5m Cable	15-33-023/33
Proximity Switch Complete IHPK with Cable Connection Housing and LED	15-33-140/33
Micro Switch Complete	15-33-026/93
Single	
IHP and LED with 5m Cable (Without Support)	08-60-011/93
IHPK with Cable Connection Housing and LED (Without Support)	08-60-145/93
Support for Proximity Switches IHP and IHPK	15-33-914/83
Technical Data: Proximity Switch with Three- Core Cable	
Operating Voltage 10 - 30 V DC	
PNP Positive Switching, Closing Function	
Nominal Operating Distance 5mm	
Installation Nonflush	