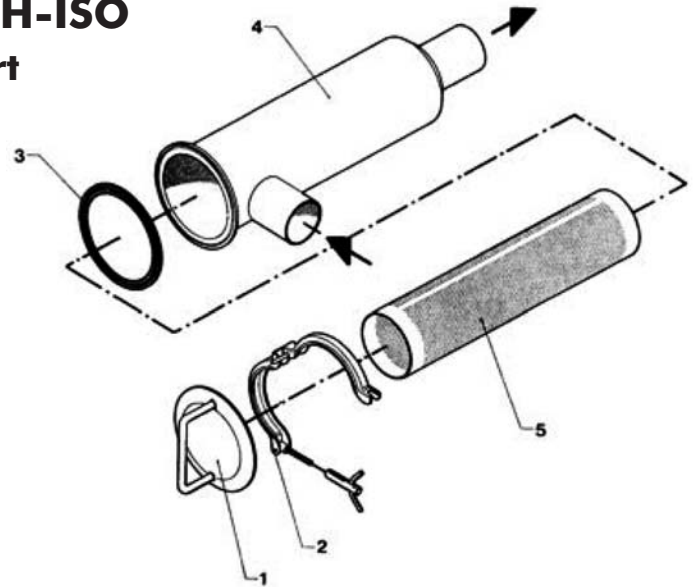


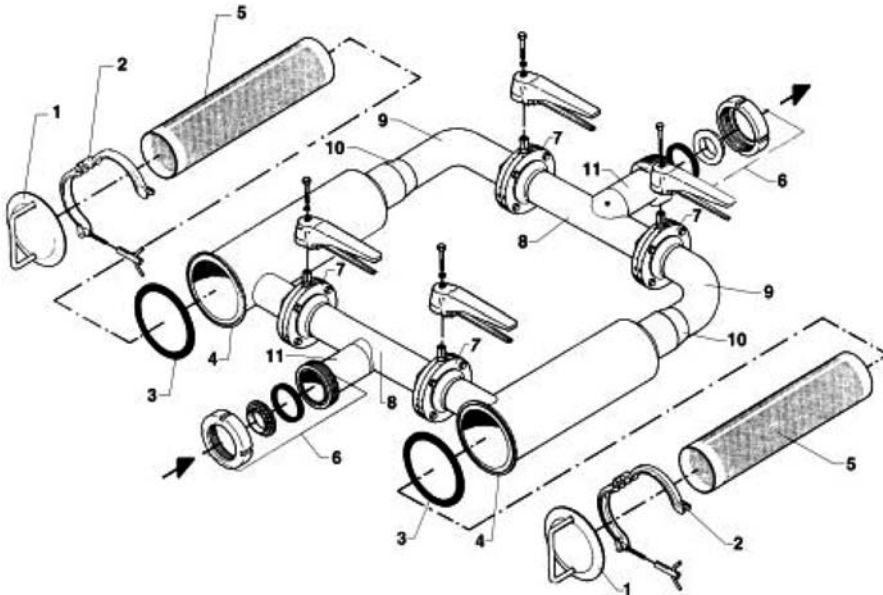
APV In-Line Filter type FSH-ISO
In-Line Filter Type FSH-ISO Without Insert

Pos	Qty	Description	Ø51	Ø76	Ø101.6
			Part Number		
-	-	Filter Complete	169070	169071	169072
1	1	Cover	179266	179266	179267
2	1	Clamp	173738	173738	169050
3	1	Gasket	706592	706592	724064
4	1	Filterbody	169073	169074	168502
*5	1	Strainer Insert	*	*	*

* see page 80



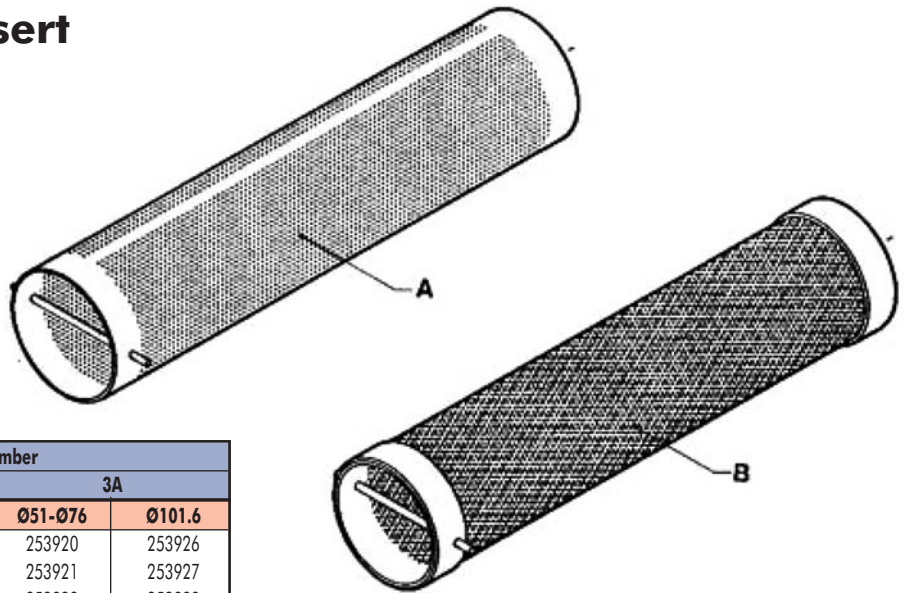
APV Double In-Line Filter



* See page 80.
** Order Related.
*** With Handle.

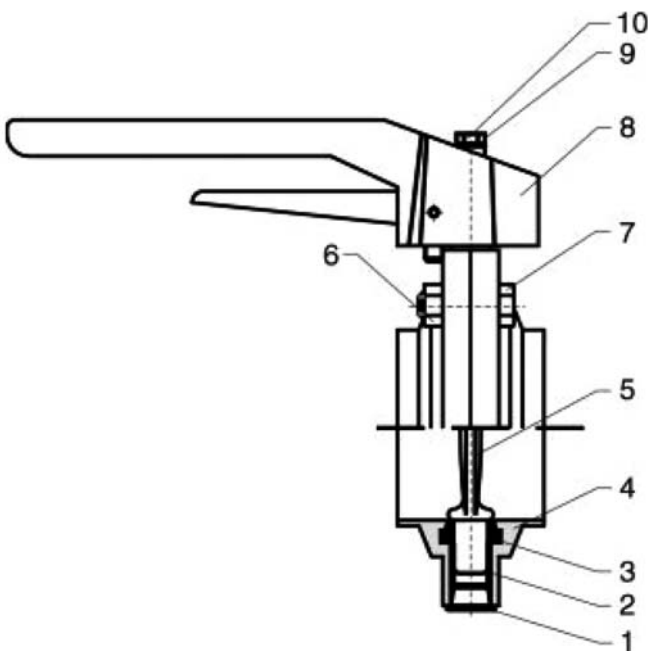
Pos	Qty	Description	Ø25	Ø38	Ø51	Ø63.5	Ø76	Ø101.6
			Part Number					
-	-	Filter Complete	169275	169276	169277	169278	169279	169280
1	2	Cover	179266	179266	179266	179266	179266	179267
2	2	Clamp	173738	173738	173738	173738	173738	169050
3	2	Gasket	706592	706592	706592	706592	706592	724064
4	2	Filterbody	169073	169073	169073	169073	169074	168502
*5	2	Strainer Insert	*	*	*	*	*	*
**6	2	Union	**	**	**	**	**	**
***7	4	Butterfly Valve	25-08-451/59	25-08-451/59	25-08-451/59	25-05-552/59	25-05-552/59	25-05-651/59
8	2	Tee	255311	255312	159347	163297	163298	163299
9	2	Bend	245630	245630	245630	245707	249914	249915
10	2	Reducing Pipe				243154	243154	243154
11	2	Pipe	255322	255295	255295	255295	255295	255295

APV Strainer Insert



Pos	Description	Part Number			
		ISO		3A	
		Ø51-Ø76	Ø101.6	Ø51-Ø76	Ø101.6
A	1mm Holes	162282	163778	253920	253926
	2mm Holes	162281	169082	253921	253927
	3mm Holes	169084	169083	253922	253928
B	Wire Gauze 24x115 mech	169085	169086		
	Wire Gauze 32 mech	175590	175591		

APV Delta SV for FSH Filter



Pos.	Qty	Description	For FSH-Filter		
			Ø25-Ø38-Ø51	Ø63.5-Ø76	Ø101.6
			Valve Size		
			Ø51	Ø76	Ø101.6
-	-	Valve Complete	25-08-451/59	25-05-552/59	25-05-651/59
1	1	Plug	08-74-010/93	08-74-010/93	08-74-010/93
2	2	Bearings	08-01-150/93	08-01-150/93	08-01-150/93
3	1	Gasket - EPDM	58-33-475/93	58-33-503/93	58-33-675/93
4	2	Valvebody - Half	09-94-469/47	09-94-552/47	09-94-669/47
5	1	Valveflap	08-55-468/43	08-55-527/63	08-55-668/63
6	4	Nut	65-50-060/15	65-50-060/15	65-50-060/15
7	4	Screw	65-01-085/15	65-01-085/15	65-01-085/15
8	1	Handle	08-41-064/93	08-41-064/93	08-41-064/93
9	1	Screw	08-41-064/93	08-41-064/93	08-41-064/93
10	1	Safety Washer	67-01-010/93	67-01-010/93	67-01-010/93