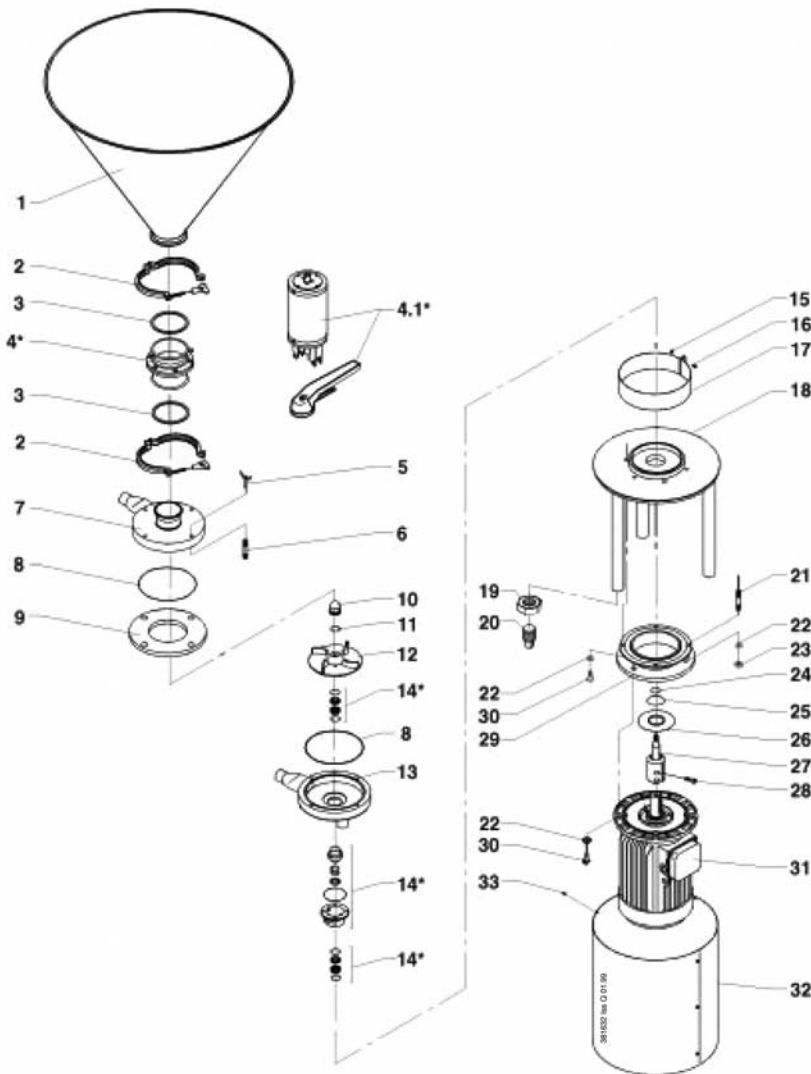


APV TPM+ 1&2 Pump

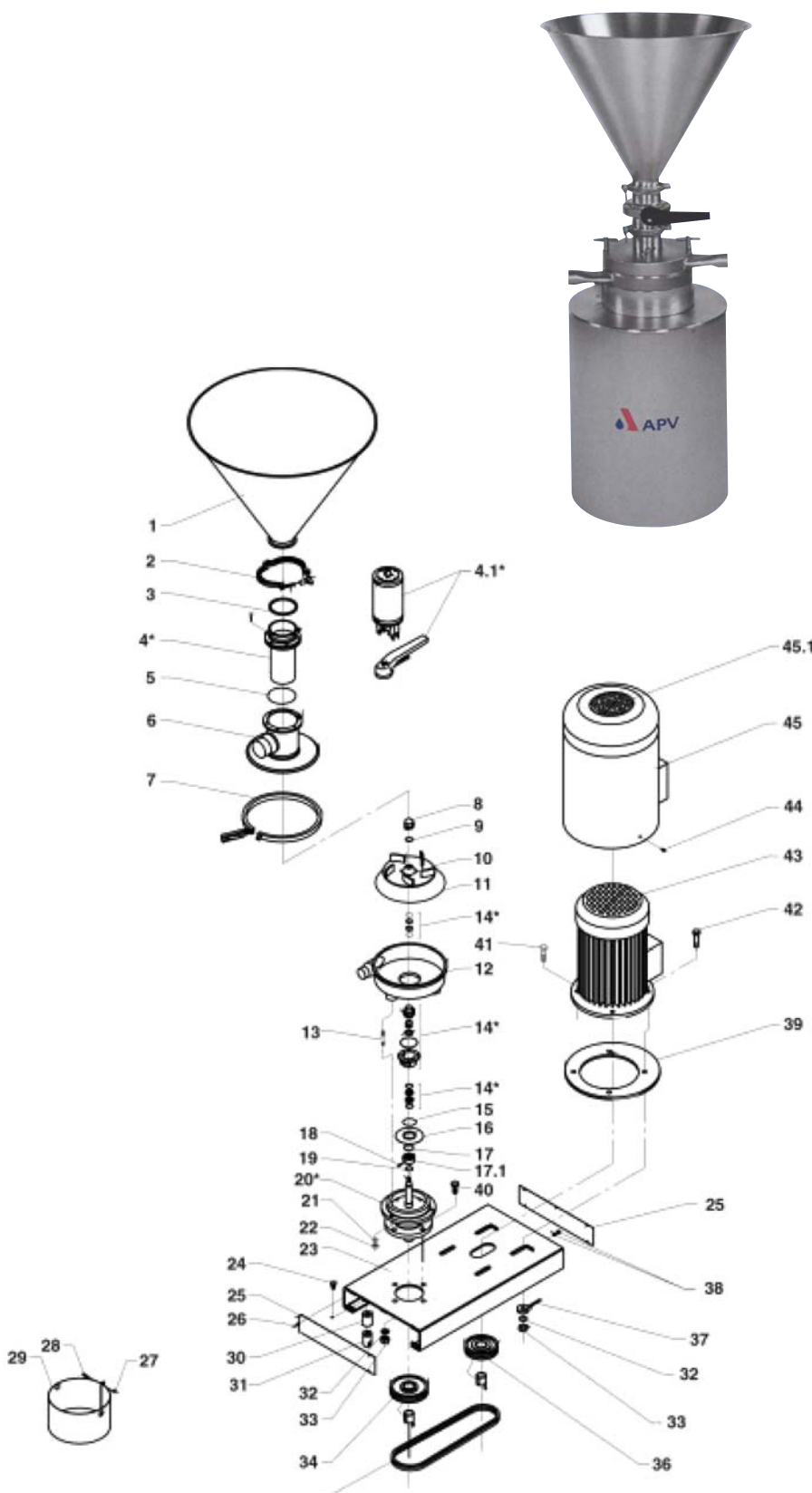
TPM+ 1 Powder Mixer



MOTOR	
100-112	132
4KW	5.5-7.5KW

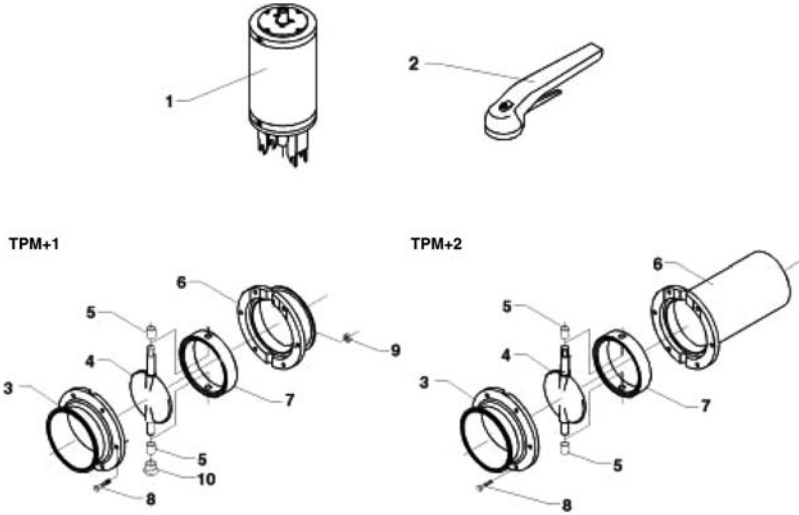
Pos	Qty	Description	Part Number	
1	1	Hopper 30l	175763	175763
		Hopper 46l	175851	175851
		Hopper 100l	175852	175852
2	2	Clamp ring	169849	169849
3	2	Seal -EPDM	770315	770315
			-Viton	770813
4*	1	Butterfly valve	s/p35	s/p35
4.1*	1	Delta Sv 1 manual	s/p35	s/p35
		Delta Sv 1 pneumatic	s/p35	s/p35
5	4	Wing Nut	155108	155108
6	4	Stud	244036	244036
7	1	Mixer Housing Top	182809	182809
8	2	O-Ring -EPDM	773185	773185
			-Viton	773186
9	1	Flange	277251	277251
10	1	Cap Nut (left thread)	274751	274751
11	1	O-Ring -EPDM	772489	772489
			-Viton	772490
12	1	Impeller	182811	182811
13	1	Mixer Housing, Bottom	182810	182810
14*	1	Shaft Seal	s/p36	s/p36
15	2	Nut, M5	701449	701449
16	2	Screw, M5x10	700619	700619
17	1	Collar	242501	242501
18	1	Frame	168865	168865
19	3	Nut	220594	220594
20	3	Ball Type Foot	243836	243836
21	3	Shank Screw	240495	240495
22	7	Washer	701475	701475
23	3	Nut, M12	700242	700242
24	1	O-Ring -EPDM	771621	771621
			-Viton	771622
25	1	O-Ring -EPDM	773187	773187
26	1	Thrower	274541	274541
27	1	Shaft (left thread)	277263	277263
28	2	Screw, 8x30	771199	771199
29	1	Extension Frame	135802	135802
30	7	Screw, 12x25	701265	701265
31	1	Motor		
32	1	Motor Shroud	260405	260405
33	3	Screw, M5x10	700408	700408

APV TPM+ 2 Powder Mixer



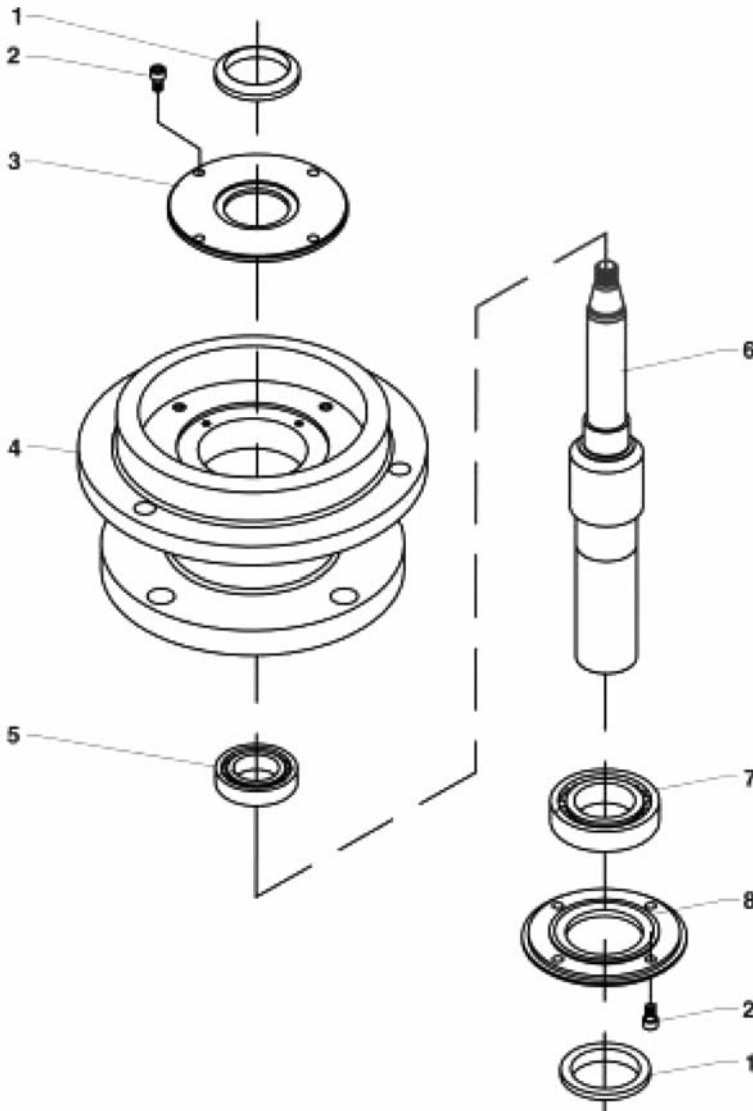
				MOTOR 160
Pos	Qty	Description	Part Number	
1	1	Hopper 100l	169194	
2	1	Clamp ring	169850	
3	1	Seal	-EPDM	770316
	1		-Viton	770814
4*	1	Butterfly valve	s/p35	
4.1*	1	Delta Sv manual	s/p35	
	1	Delta Sv pneumatic		
5	1	O-Ring, NBR	771318	
6	1	Cover	174526	
7	1	Clamp Ring	143288	
8	1	Cap Nut (left thread)	274751	
9	1	O-Ring	-EPDM	772489
	1		-Viton	772490
10	1	Impeller	188849	
11	1	O-Ring	-EPDM	773191
	1		-Viton	773190
12	1	Mixer Housing	168673	
13	3	Stud	240495	
14*	1	Shaft Seal	s/p35	
15	1	O-Ring	-EPDM	773187
16	1	Thrower	247541	
17	1	O-Ring	-EPDM	773188
17.1	1	Water Rinse Ring	274538	
18	1	Pinol screw	773194	
19	1	O-Ring	-EPDM	771621
	1		-Viton	771622
20*	1	Bearing Housing	s/p35	
21	3	Washer	701475	
22	3	Nut	700628	
23	1	Base Plate	253400	
24	4	Screw	700237	
25	2	End Plate	274039	
26	10	Screw	705584	
27	2	Nut	701449	
28	2	Screw	700408	
29	1	Collar	169297	
30	4	Leg	254512	
31	4	Ball Type Foot	254509	
32	8	Washer	770779	
33	8	Nut	703173	
34	1	V-Belt Pulley	770759	
35	1	V-Belt	770778	
36	1	V-Belt Pulley	770758	
37	2	Eye Screw	173772	
38	4	Nut	700625	
39	1	Flange	254011	
40	4	Screw	701533	
41	2	Screw	701474	
42	2	Screw	706962	
43	1	Motor		
44	3	Screw	700408	
45	1	Motor Shroud	168711	
45.1	1	Silencing Material	268520	

APV TPM+ 1&2 Butterfly Valve-Air Actuator-Handle



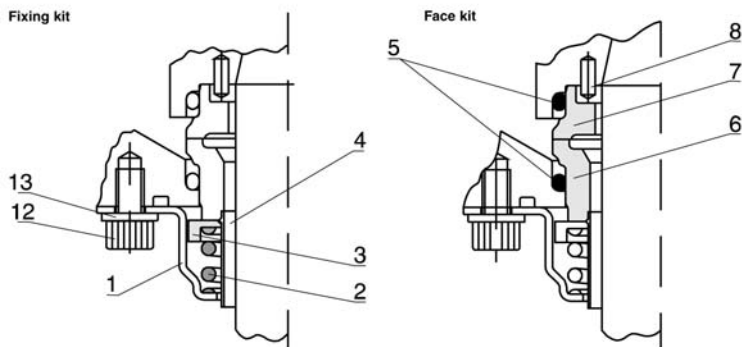
Pos	Qty	Description	TPM+1	TPM+2	
			Part Number		
1	1	Delta SV Air Actuator	*	*	
2	1	Delta SV Handle	08-41-088/17	08-41-088/17	
3-10	1	Complete	-EPDM	801173	804408
			-Silicone	801174	804409
			-Viton	801175	804410
3	1	Valve Body	801170	801171	
4	1	Valve Flap	08-55-527/23	08-55-668/23	
5	2	Sleeve	08-01-150/93	08-01-151/93	
6	1	Valve Body	801170	801172	
7	1	Gasket	-EPDM**	58-33-503/93	58-33-675/93
			-Silicone	58-33-503/13	58-33-675/13
			-Viton	58-33-503/73	58-33-675/73
8	6	Screw	65-01-085/15	65-01-085/15	
9	6	Nut	65-50-060/15		
10	1	Plug	08-74-010/93		

APV TPM+ 2 Bearing House



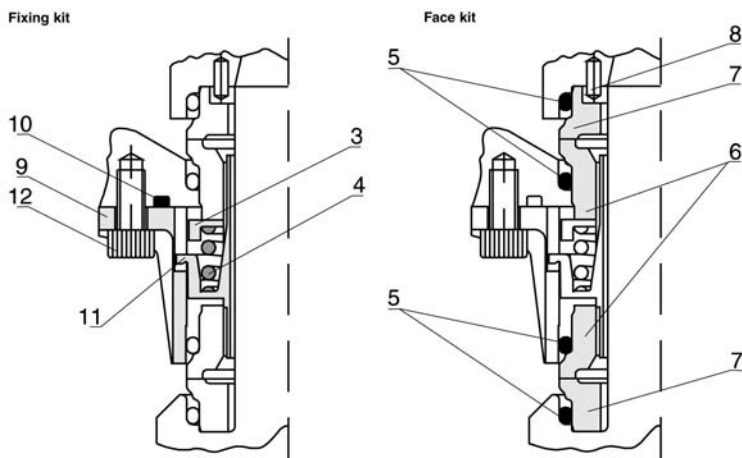
Pos	Qty	Description	Part Number
1	2	V-Ring NBR	773189
2	8	Screw, M6x10	770496
3	1	Bearing Cover	274539
4	1	Bearing Housing	168709
5	1	Ball Bearing	703808
6	1	Shaft	274043
7	1	Ball Bearing	707144
8	1	Bearing Cover	255009

Single Seal



Pos	Description	Material	Ø25 SHAFT	Ø35 SHAFT
			Part Number	
	Fixing Kit Single Seal:		772460	772465
1	Housing	AISI 316		
2	Spring	AISI 316		
3	Pressure Ring	AISI 316		
4	Draining Cylinder	PTFE	(773100)	(773101)
	Fixing Kit Double Seal:		194448	194449
2	Spring	AISI 316		
3	Pressure Ring	AISI 316		
9	Housing	AISI 316		
11	Pressure Ring	AISI 316		

Double Seal



Pos	Description	Material	Ø25 SHAFT	Ø35 SHAFT
			Part Number	
	Face Kit Complete:			
	SiC/Carbon seal rings	EPDM O-rings	772461	772466
	SiC/Carbon seal rings	Viton O-rings	772462	772467
	SiC/SiC seal rings	EPDM O-rings	772463	772468
	SiC/SiC seal rings	Viton O-rings	772464	772469
	Containing:			
5	2 Piece O-Rings	EPDM or Viton		
6	Stationary Seal Ring	Carbon or SiC		
7	Rotation Seal Ring	SiC		
8	Pin	AISI 316		

Pos	Description	Material	Ø25 SHAFT	Ø35 SHAFT
			Part Number	
5	Elastomer Kit With: 2 Piece O-Rings	EPDM Viton (FPM)	772575 772576	772577 772578
10	1 Piece O-Ring	EPDM	772470 (55,25 x 2,62)	771362 (63,17 x 2,62)
12	One Set of Screws With: 4 Screws	AISI 316	770496	770496
13	One Set of Washers With: 4 Washers	AISI 316	701477	701477

Single shaft seal complete: 1x Fixing kit (single) + 1 x Face kit + 1 x Pos. 12 + 1 x Pos. 13
 Double seal complete: 1 x Fixing kit (double) + 2 x Face kit + 1 x Pos. 10 + 1 x Pos. 12
 Wear parts single shaft seal: 1 x Face kit
 Wear parts double shaft seal: 2 x Face kit
 Rebuild from single to double seal: 1 x Fixing kit (double) + 1 x Face kit + 1 x Pos. 10
 Rebuild from double to single seal: 1 x Fixing kit (single) + 1 x Pos. 13