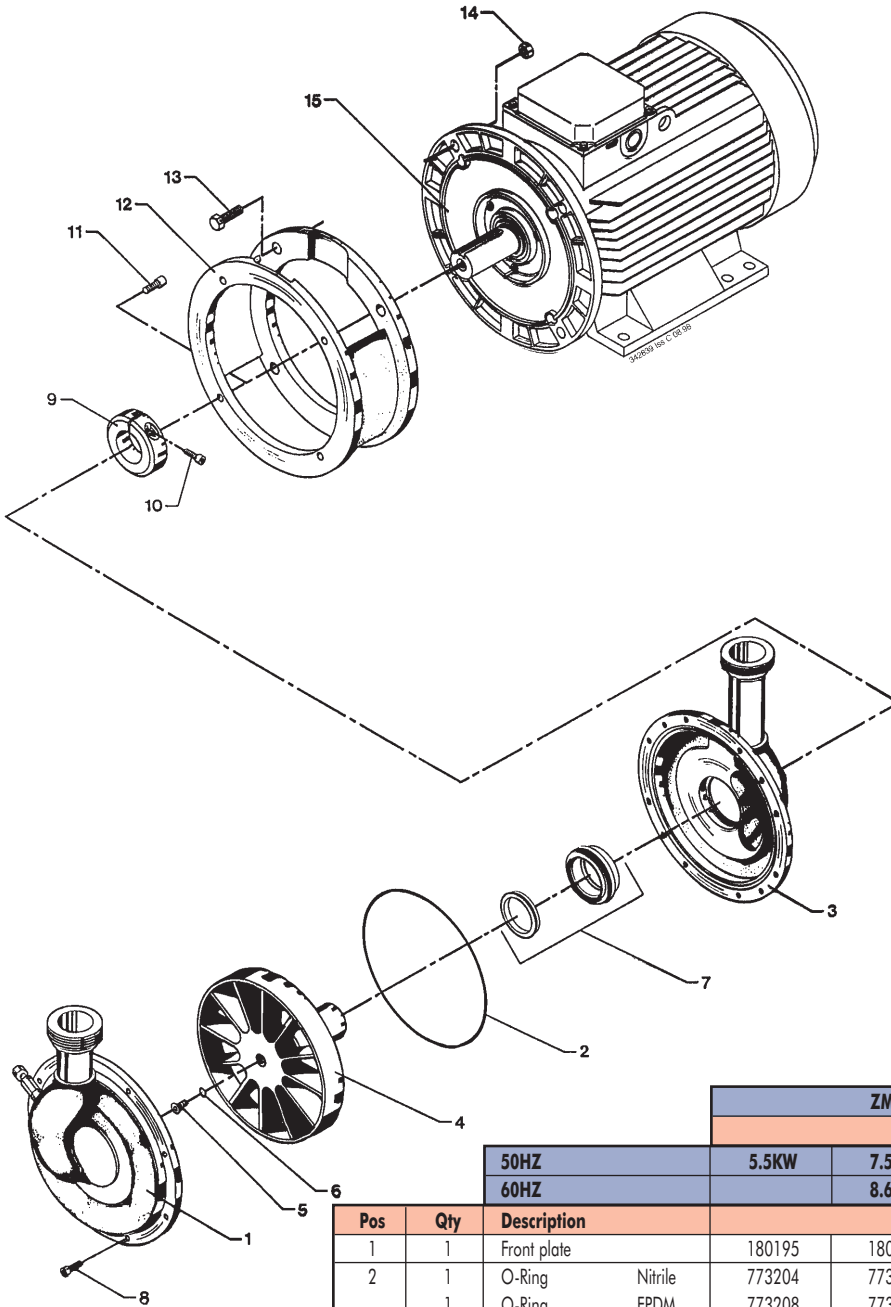


APV ZMS 5 & 6 Pump Complete (50HZ & 60HZ)

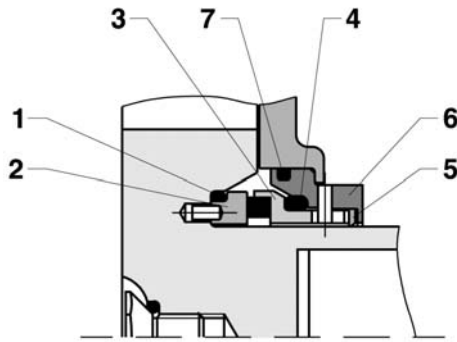


			ZMS 5			ZMS 6		
			MOTOR					
50HZ			5.5KW	7.5KW	11KW	11KW	15KW	15KW
60HZ				8.6KW	112.6KW		17KW	21KW
Pos	Qty	Description	Part Number					
1	1	Front plate	180195	180195	180195	180177	180177	180177
2	1	O-Ring Nitrile	773204	773204	773204	773205	773205	773205
	1	O-Ring EPDM	773208	773208	773208	773209	773209	773209
3	1	Backplate	180196	180196	180196	180299	180299	180299
4	1	Impeller -50Hz	168843	168843	168843	182504	182504	
5	1	Screw	770009	770009	770009	770009	770009	770009
6	1	O-Ring Nitrile	724197	724197	724197	724197	724197	724197
	1	O-Ring EPDM	771594	771594	771594	771594	771594	771594
7*	1	Shaft Seal						
8	8	Screw	701107	701107	701107	701107	701107	701107
9	1	Clamp Ring	179510	179510	179581	179581	179581	179581
10	1	Screw	701509	701509	701509	701509	701509	701509
11	4	Screw	701078	701078	701078	701078	701078	701078
12	1	Extension Frame	180290	180290	180290	168891	168891	168891
13	4	Screw	703141	703141	703141	701474	701474	701474
14	4	Nut	700242	700242	700242	701387	701387	701387
15	1	Motor	771787	771788	772597	771808	771809	771809

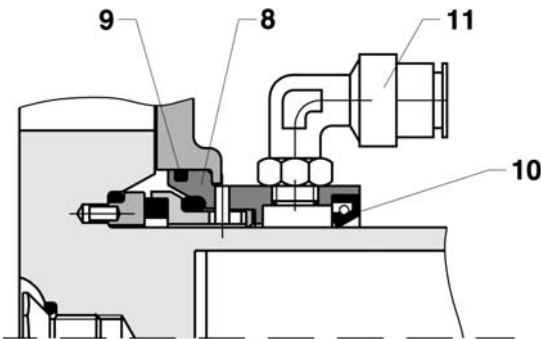
*Separate spare-parts drawing see page 32

APV ZMS 5 Shaft Seal

Shaft seal with standard retainer ring



Shaft seal with flushing kit



Shaft seal

Pos	Qty	Description	(NITRIL)	(EPDM)
			Part Number	
1-5	-	Shaft seal complete	771855	772328
1	1	O-ring		
2	1	Rotating ring (Stainless steel ring or SiC)		
3	1	Stationary Ring (Carbon ring or SiC)		
4	1	O-ring		
5	1	Wavy washer		

Shaft seal with standard retainer ring

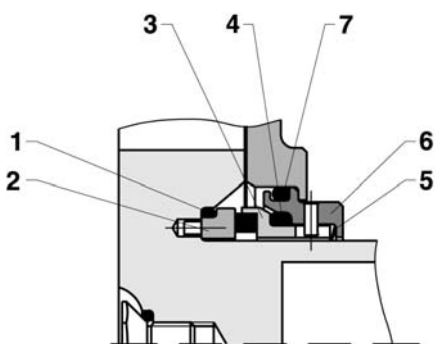
6-7	-	Retainer ring complete	179752	801067
6	1	Retainer ring	182957	182957
7	1	O-ring (3,53x66,27)	771856	772037

Shaft seal with flushing kit

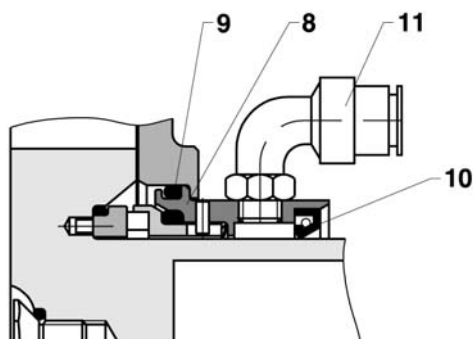
8-11	-	Retainer ring complete	179866	801068
8	1	Retainer ring	182958	182958
9	1	O-ring (3,53x66,27)	771856	772037
10	1	Packing ring	770066	770066
11	2	Elbow connector	770325	770325

APV ZMS 6 Shaft Seal

Shaft seal with standard retainer ring



Shaft seal with flushing kit



Shaft seal

Pos	Qty	Description	(NITRIL)	(EPDM)
			Part Number	
1-5	-	Shaft seal complete	770026	772120
1	1	O-ring		
2	1	Rotating ring (Stainless steel ring or SiC)		
3	1	Stationary Ring (Carbon ring or SiC)		
4	1	O-ring		
5	1	Wavy washer		

Shaft seal with standard retainer ring

6-7	-	Retainer ring complete	179738	801069
6	1	Retainer ring	182920	182920
7	1	O-ring	770025	771580

Shaft seal with flushing kit

8-11	-	Retainer ring complete	179867	801070
8	1	Retainer ring	182919	182919
9	1	O-ring	770025	771580
10	1	Packing ring	770067	770067
11	2	Elbow connector	770325	770325