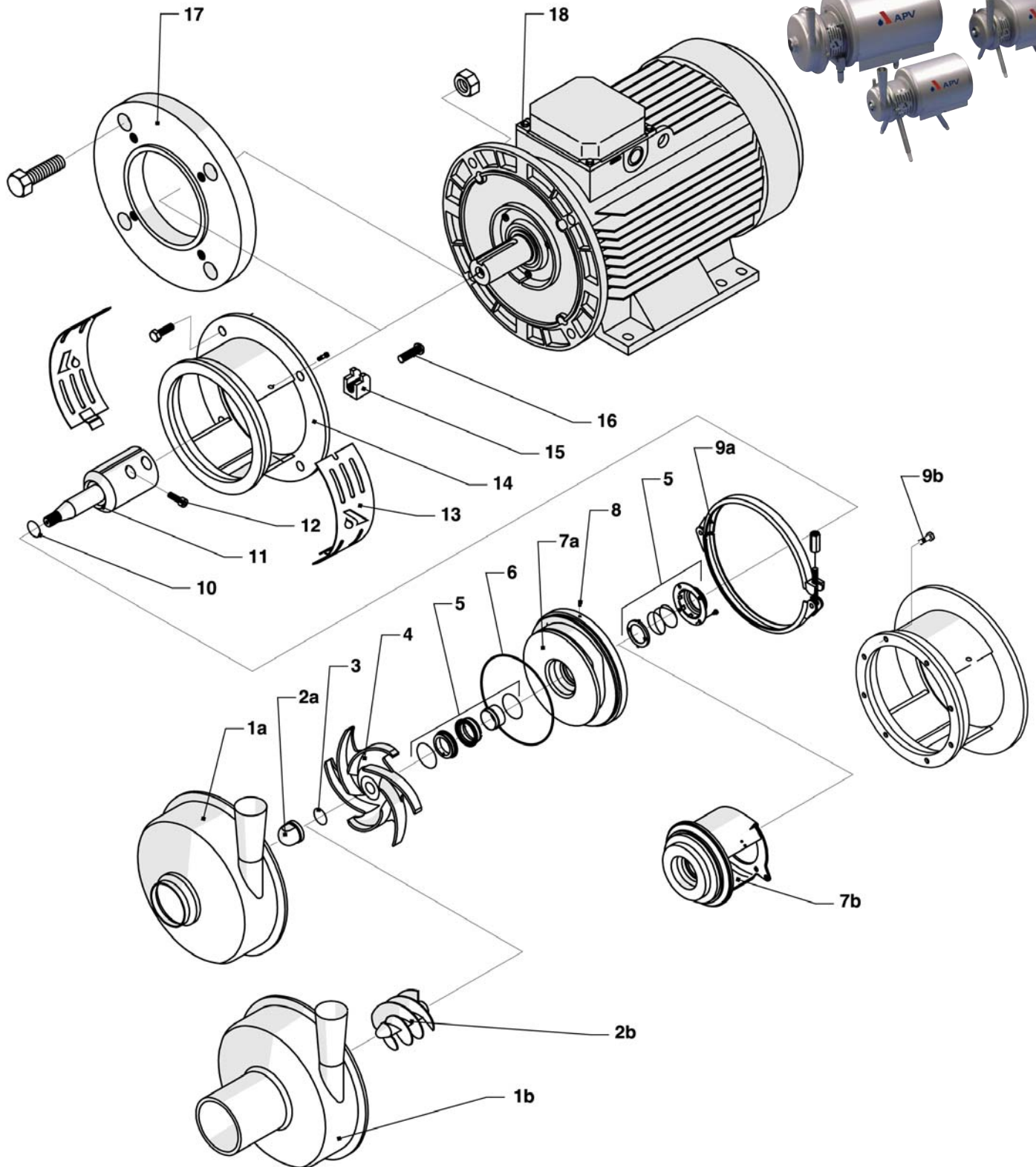


APV W+ Pump

W+ Pump Complete



FREEFAX:

0800 801404



W+ Pump Complete (contd)

| Pos | Stk/Qty | Description | PUMP TYPE | | | | | | | |
|-----|---------|-----------------|----------------|----------------|-----------------|-----------------|----------------|----------------|------------------|----------|
| | | | W+10/8 | W+22/20 | W+30/80 | W+25/210 | W+35/35 | W+35/55 | W+30/120 | W+50/8 |
| | | | Part No. | | | | | | | |
| 1a | 1 | Pumphousing | 188710 | 168838 | 182702 | 253416 | 182645 | 182703 | 182704 | 168644 |
| 1b | 1 | Inducer housing | | 183127 | 182709 | | 188515 | 182710 | 188518 | |
| 2a | 1 | Cap nut | 274351 | 260058 | 260058 | 260059 | 260058 | 260058 | 260059 | 274351 |
| 2b | 1 | Inducer | | 261540 | 188142 | | 261540 | 188142 | 188144 | |
| 3* | 1 | O-ring EPDM | 773038 | 772489 | 772489 | 772491 | 772489 | 772489 | 772491 | 773038 |
| | | Viton | 773039 | 772490 | 772490 | 772492 | 772490 | 772490 | 772492 | 773039 |
| 4 | 1 | Impeller | s/p22 | s/p22 | s/p22 | s/p22 | s/p22 | s/p22 | s/p22 | s/p22 |
| 5* | 1 | Shaft Seal | s/p23 | s/p23 | s/p23 | s/p23 | s/p23 | s/p23 | s/p23 | s/p23 |
| 6* | 1 | O-ring EPDM | 773078 | 770006 | 771627 | 770041 | 771627 | 771627 | 771630 | 771711 |
| | | Viton | 773079 | 770007 | 771628 | 770042 | 771628 | 771628 | 771631 | 771712 |
| 7a | 1 | Back Plate | | | 260934 | 260945 | 260935 | 260936 | 260937 | 260920 |
| 7b | 1 | Back Plate | 188735** | 261566** | | | | | | |
| 8 | 1 | Pin | | | 772493 | | 772493 | 772493 | 772493 | |
| 9a | 1 | Clamp Ring | 169050 | 188430 | 188436 | | 188436 | 188436 | 188432 | 188431 |
| 9b | 8 | Screw M8/M10 | | | | 756001 | | | | |
| 10* | 1 | O-ring EPDM | 773038 | 771621 | 771621 | 771624 | 771621 | 771621 | 771624 | 773038 |
| | | Viton | 773039 | 771622 | 771622 | 771625 | 771622 | 771622 | 771625 | 773039 |
| 11 | 1 | Shaft | s/p24/25 | s/p24/25 | s/p24/25 | s/p24/25 | s/p24/25 | s/p24/25 | s/p24/25 | s/p24/25 |
| 12 | 2 | Screw | s/p24/25 | s/p24/25 | s/p24/25 | s/p24/25 | s/p24/25 | s/p24/25 | s/p24/25 | s/p24/25 |
| 13 | 2 | Shaft Guard | *** | - | - | - | - | - | - | - |
| 14 | 1 | Extension Frame | *** | - | - | - | - | - | - | - |
| 15 | 2 | Bracket (Screw) | | | 268499 | 701509 | 268499 | 268499 | 268499 | 268499 |
| 16 | 2 | Screw | | | 701942 | 771199 | 701942 | 701942 | 701942 | 701942 |
| 17 | 1 | Washer | *** | - | - | - | - | - | - | - |
| 18 | 1 | Motor | *** | - | - | - | - | - | - | - |
| | | | W+55/35 | W+55/60 | W+60/110 | W+65/350 | W+70/40 | W+80/80 | W+110/130 | |
| 1a | 1 | Pumphousing | 182646 | 182647 | 182705 | 253421 | 182706 | 168619 | 253420 | |
| 1b | 1 | Inducer housing | 188516 | 182711 | 188519 | | 188517 | 182712 | 183138 | |
| 2a | 1 | Cap nut | 260058 | 260059 | 260059 | 260059 | 260059 | 260059 | 260059 | |
| 2b | 1 | Inducer | 261540 | 188143 | 188144 | | 261541 | 188143 | 188144 | |
| 3* | 1 | O-ring EPDM | 772489 | 772491 | 772491 | 772491 | 772491 | 772491 | 772491 | |
| | | Viton | 772490 | 772492 | 772492 | 772492 | 772492 | 772492 | 772492 | |
| 4 | 1 | Impeller | s/p22 | s/p22 | s/p22 | s/p22 | s/p22 | s/p22 | s/p22 | |
| 5* | 1 | Shaft Seal | s/p23 | s/p23 | s/p23 | s/p23 | s/p23 | s/p23 | s/p23 | |
| 6* | 1 | O-ring EPDM | 771630 | 771630 | 771705 | 770015 | 771708 | 771714 | 771717 | |
| | | Viton | 771631 | 771631 | 771706 | 770016 | 771709 | 771715 | 771718 | |
| 7a | 1 | Back Plate | 260939 | 260940 | 260941 | 260946 | 260942 | 260943 | 260944 | |
| 8 | 1 | Pin | 772493 | 772493 | 772493 | | 772493 | 772493 | | |
| 9a | 1 | Clamp Ring | 188432 | 188432 | 188433 | | 188434 | 188435 | | |
| 9b | 8 | Screw M8/M10 | | | | 700234 | | | 701669 | |
| 10* | 1 | O-ring EPDM | 771621 | 771624 | 771624 | 771624 | 771624 | 771624 | 771624 | |
| | | Viton | 771622 | 771625 | 771625 | 771625 | 771625 | 771625 | 771625 | |
| 11 | 1 | Shaft | s/p24/25 | s/p24/25 | s/p24/25 | s/p24/25 | s/p24/25 | s/p24/25 | s/p24/25 | |
| 12 | 2 | Screw | s/p24/25 | s/p24/25 | s/p24/25 | s/p24/25 | s/p24/25 | s/p24/25 | s/p24/25 | |
| 13 | 2 | Shaft Guard | *** | - | - | - | - | - | - | |
| 14 | 1 | Extension Frame | *** | - | - | - | - | - | - | |
| 15 | 2 | Bracket (Screw) | | | 268499 | 234177 | 268499 | 268499 | 701669 | |
| 16 | 2 | Screw | | | 701942 | 700241 | 701942 | 701942 | 701686 | |
| 17 | 1 | Washer | *** | - | - | - | - | - | - | |
| 18 | 1 | Motor | *** | - | - | - | - | - | - | |

* Special seal see page 23

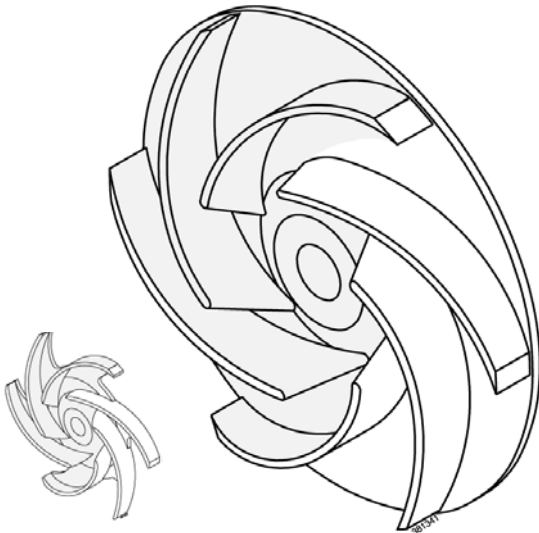
** Integrated with extension frame Pos.14

s/p(xx)= See page (no.)

*** Call in with pump serial number & dimensions to obtain correct part number.



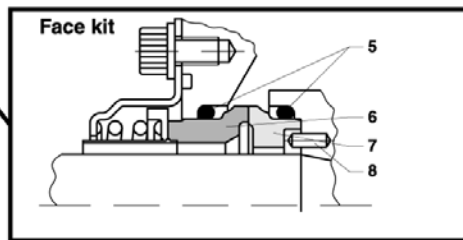
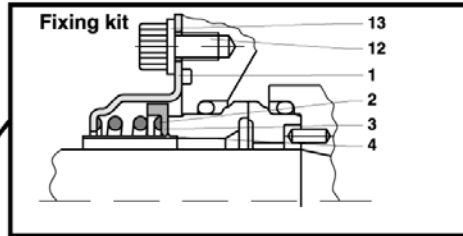
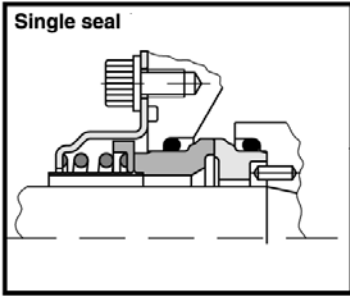
W+ Pump Impeller



| IMPELLER DIAMETER | PUMP TYPE | | | | |
|-------------------|-----------|---------|---------|---------|--------|
| | W+22/20 | W+30/80 | W+35/35 | W+35/55 | W+50/8 |
| PART NO. | | | | | |
| Ø200 | | | | | 267328 |
| Ø195 | | | | | 273889 |
| Ø190 | | | | | 273890 |
| Ø185 | | | | | 273891 |
| Ø180 | | | | 253740 | 273892 |
| Ø175 | | | 253739 | 267492 | 273893 |
| Ø170 | | 253738 | 267481 | 267493 | 273894 |
| Ø165 | | 267469 | 267482 | 267494 | 273895 |
| Ø160 | | 267470 | 267483 | 267495 | 273896 |
| Ø155 | | 267471 | 267484 | 267496 | 273897 |
| Ø150 | | 267472 | 267485 | 267497 | 273898 |
| Ø145 | | 267473 | 267486 | 267498 | 273899 |
| Ø140 | 253737* | 267474 | 267487 | 267499 | 273900 |
| Ø135 | 267460 | 267475 | 267488 | 267500 | |
| Ø130 | 267461 | 267476 | 267489 | 267501 | |
| Ø125 | 267462 | 267477 | 267490 | 267502 | |
| Ø120 | 267463 | 267478 | 267491 | 267503 | |
| Ø115 | 267464 | 267479 | | | |
| Ø110 | 267465 | 267480 | | | |
| Ø105 | 267466 | | | | |
| Ø100 | 267467 | | | | |
| Ø95 | 267468 | | | | |

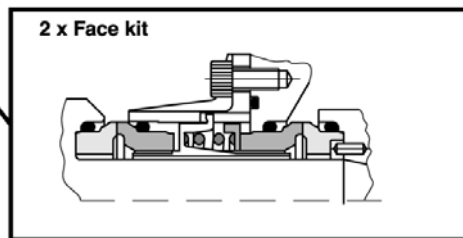
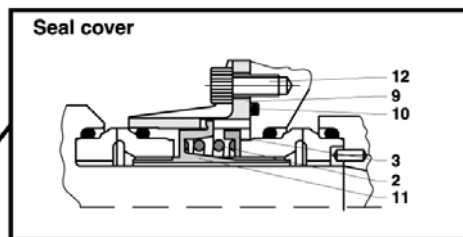
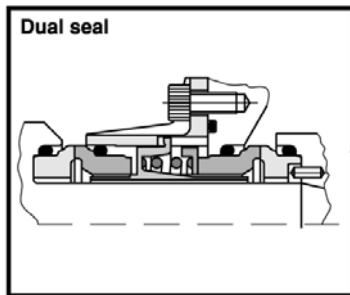
| IMPELLER DIAMETER | PUMP TYPE | | | | | | | | | |
|-------------------|-----------|----------|---------|---------|----------|---------|---------|-----------|----------|----------|
| | W+10/8 | W+30/120 | W+55/35 | W+55/60 | W+60/110 | W+70/40 | W+80/80 | W+110/130 | W+25/210 | W+65/350 |
| PART NO. | | | | | | | | | | |
| Ø290 | | | | | | | | 253748 | 253749 | |
| Ø285 | | | | | | | | 267680 | 267700 | |
| Ø280 | | | | | | | | 267681 | 267701 | |
| Ø275 | | | | | | | | 267682 | 267702 | |
| Ø270 | | | | | | | | 267683 | 267703 | |
| Ø265 | | | | | | | | 267684 | 267704 | |
| Ø260 | | | | | | | | 267685 | 267705 | 253750 |
| Ø255 | | | | | | | 253747 | 267686 | 267706 | 267716 |
| Ø250 | | | | | | | 267559 | 267687 | 267707 | 267717 |
| Ø245 | | | | | | | 267560 | 267688 | 267708 | 267718 |
| Ø240 | | | | | | 253746 | 267561 | 267689 | 267709 | 267719 |
| Ø235 | | | | | | 267549 | 267562 | 267690 | 267710 | 267720 |
| Ø230 | | | | | 253745 | 267550 | 267563 | 267691 | 267711 | 267721 |
| Ø225 | | | | | 267535 | 267551 | 267564 | 267692 | 267712 | 267722 |
| Ø220 | | | | 253744 | 267536 | 267552 | 267565 | 267693 | 267713 | 267723 |
| Ø215 | | | | 267523 | 267537 | 267553 | 267566 | 267694 | 267714 | 267724 |
| Ø210 | | | 253743 | 267524 | 267538 | 267554 | 267567 | 267695 | 267715 | 267725 |
| Ø205 | | | 267512 | 267525 | 267539 | 267555 | 267568 | 267696 | | 267726 |
| Ø200 | | | 267513 | 267526 | 267540 | 267556 | 267569 | 267697 | | 267727 |
| Ø195 | | | 267514 | 267527 | 267541 | 267557 | 267570 | | | 267728 |
| Ø190 | | | 267515 | 267528 | 267542 | 267558 | | | | 267729 |
| Ø185 | | | 267516 | 267529 | 267543 | | | | | |
| Ø180 | | | 267517 | 267530 | 267544 | | | | | |
| Ø175 | | 253741 | 267518 | 267531 | 267545 | | | | | |
| Ø170 | | 267504 | 267519 | 267532 | 267546 | | | | | |
| Ø165 | | 267505 | 267520 | 267533 | 267547 | | | | | |
| Ø160 | | 267506 | 267521 | 267534 | 267548 | | | | | |
| Ø155 | | 267507 | 267522 | | | | | | | |
| Ø150 | | 267508 | | | | | | | | |
| Ø145 | | 267509 | | | | | | | | |
| Ø140 | | 267510 | | | | | | | | |
| Ø135 | | 267511 | | | | | | | | |
| Ø110 | 267324 | | | | | | | | | |
| Ø105 | 273885 | | | | | | | | | |
| Ø100 | 273886 | | | | | | | | | |
| Ø95 | 273887 | | | | | | | | | |
| Ø90 | 273888 | | | | | | | | | |

APV W+ Pump Shaft Seal



| POS | DESCRIPTION | MATERIAL | SHAFT SIZE | |
|---------|-------------------------------------|------------------|------------|--------|
| | | | Ø25* | Ø35* |
| 1-2-3-4 | Complete for single seal fixing kit | AISI 316L | 772460 | 772465 |
| 5-6-7-8 | For single or double seal face kit | SiC/Carbon EPDM | 772461 | 772466 |
| | | SiC/Carbon Viton | 772462 | 772467 |
| | | SiC/SiC EPDM | 772463 | 772468 |
| | | SiC/SiC Viton | 772464 | 772469 |
| 12 | 4 off screw | | 770496 | 770496 |
| 13 | 4 of Washer M6 | | 701477 | 701477 |

*Pump type see page 24/25



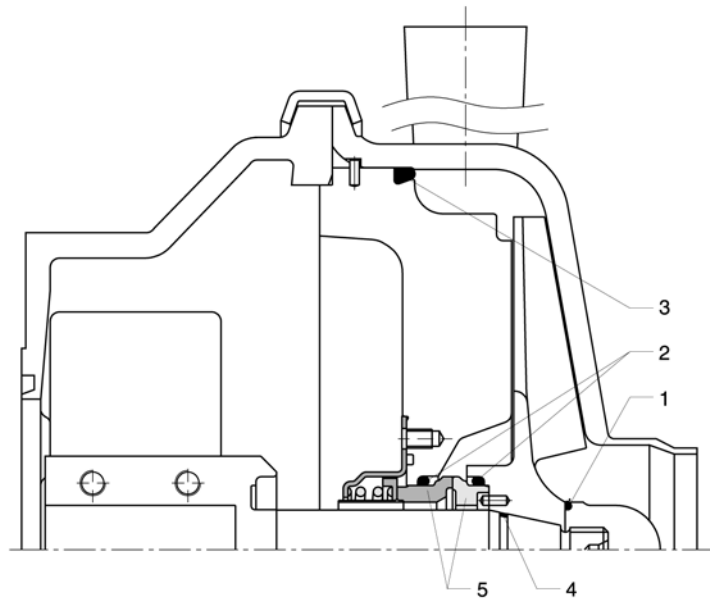
| POS | DESCRIPTION | MATERIAL | SHAFT SIZE | |
|----------|---------------------------------------|-----------|------------|--------|
| | | | Ø25* | Ø35* |
| 2-3-9-11 | Complete seal housing for double seal | AISI 316L | 194448 | 194449 |
| 10 | O-ring | EPDM | 772470 | 771362 |
| 12 | 4 off screw | | 770496 | 770496 |

Elastomer kit

| | | | | |
|---|-------------------|-------|--------|--------|
| 5 | 2 off o-ring | EPDM | 772575 | 772577 |
| | | Viton | 772576 | 772578 |
| 4 | draining cylinder | PTFE | 77310 | 773101 |

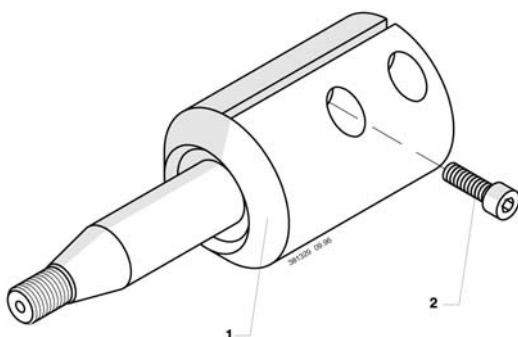
*Pump type see page 24/25

W+ Pump Standard Seal Kit



| | | | PUMP TYPE | | | | | | | |
|-----------|---------|--------------------|-----------|---------|----------|----------|---------|---------|-----------|--------|
| | | | W+10/8 | W+22/20 | W+30/80 | W+25/210 | W+35/35 | W+35/55 | W+30/120 | W+50/8 |
| Complete | Stk/Qty | Material | Part No. | | | | | | | |
| 1-2-3-4-5 | - | EPDM - SiC/SiC | 800875 | 800800 | 800801 | 800802 | 800803 | 800804 | 800805 | 800876 |
| 1-2-3-4-5 | - | EPDM - SiC/Carbon | 800877 | 800915 | 800916 | 800917 | 800918 | 800919 | 800920 | 800878 |
| 1-2-3-4-5 | - | Viton - SiC/SiC | 800871 | 800813 | 800814 | 800815 | 800816 | 800817 | 800818 | 800872 |
| 1-2-3-4-5 | - | Viton - SiC/Carbon | 800873 | 800928 | 800929 | 800930 | 800931 | 800932 | 800933 | 800874 |
| 1-2-3-4 | 1-2 | EPDM | | | | | | | | |
| 1-2-3-4 | 1-2 | Viton | | | | | | | | |
| 5 | 1 | SiC/SiC | | | | | | | | |
| 5 | 1 | SiC/Carbon | | | | | | | | |
| | | | W+55/35 | W+55/60 | W+60/110 | W+65/350 | W+70/40 | W+80/80 | W+110/130 | |
| 1-2-3-4-5 | - | EPDM - SiC/SiC | 800806 | 800807 | 800808 | 800809 | 800810 | 800811 | 800812 | |
| 1-2-3-4-5 | - | EPDM - SiC/Carbon | 800921 | 800922 | 800923 | 800924 | 800925 | 800926 | 800927 | |
| 1-2-3-4-5 | - | Viton - SiC/SiC | 800819 | 800820 | 800821 | 800822 | 800823 | 800824 | 800825 | |
| 1-2-3-4-5 | - | Viton - SiC/Carbon | 800934 | 800935 | 800936 | 800937 | 800938 | 800939 | 800940 | |
| 1-2-3-4 | 1-2 | EPDM | | | | | | | | |
| 1-2-3-4 | 1-2 | Viton | | | | | | | | |
| 5 | 1 | SiC/SiC | | | | | | | | |
| 5 | 1 | SiC/Carbon | | | | | | | | |

W+ Pump Shaft



| PUMP TYPE | MOTOR | | | | | |
|-----------|-----------|--------|--------|--------|--------|--------|
| | 80 | 90 | 100 | 112 | 132 | 160 |
| | SHAFT Ø25 | | | | | |
| W+10/8 | 273844 | | | | | |
| W+22/20 | 261546 | | | | | |
| W+30/80 | | 261559 | 261560 | 261560 | 261547 | |
| W+35/35 | | 261559 | 261560 | 261560 | 261547 | 261548 |
| W+35/55 | | 261559 | 261560 | 261560 | 261547 | 261548 |
| W+50/8 | | 267329 | 267330 | 267330 | 267331 | |
| W+55/35 | | 261559 | 261560 | 261560 | 261547 | 261548 |
| Pos.2 | | | | | | |
| 6ty | 1 | 1 | 2 | 2 | 2 | 2 |
| 8 crew | 701942 | 771199 | 771199 | 771199 | 771199 | 771199 |

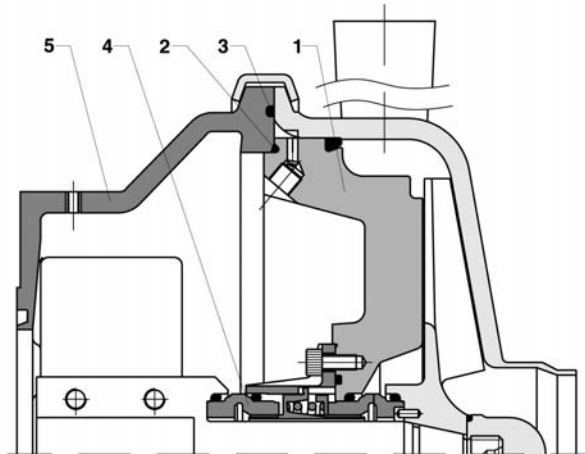
APV W+ Pump Shaft (contd)

| PUMP TYPE | MOTOR | | | | | | | | |
|------------------|--------|--------|--------|--------|--------|--------|--------|--------|--------|
| | 90 | 100 | 112 | 132 | 160 | 180 | 200 | 225 | 250 |
| SHAFT Ø35 | | | | | | | | | |
| W+25/210 | | | | | 261551 | 261563 | 261552 | 261552 | |
| W+30/120 | 261561 | 261562 | 261562 | 261550 | 261551 | 261563 | 261552 | | |
| W+55/60 | 261561 | 261562 | 261562 | 261550 | 261551 | 261563 | 261552 | | |
| W+60/110 | 261561 | 261562 | 261562 | 261550 | 261551 | 261563 | 261552 | 261552 | |
| W+65/350 | | | | 261550 | 261551 | 261563 | 261552 | 261552 | 261554 |
| W+70/40 | 261561 | 261562 | 261562 | 261550 | 261551 | 261563 | 261552 | | |
| W+80/80 | 261561 | 261562 | 261562 | 261550 | 261551 | 261563 | 261552 | 261552 | 261554 |
| W+110/130 | | 261562 | 261562 | 261550 | 261551 | 261563 | 261552 | 261552 | 261554 |
| Pos.2 | | | | | | | | | |
| Quantity | 2 | 2 | 2 | 2 | 2 | 2 | 2 | 2 | 3 |
| Screw | 771199 | 771199 | 771199 | 771199 | 771199 | 771199 | 701231 | 701231 | 701231 |

APV Aseptic Centrifugal Pump WA+

This is a supplement for the standard W+ pump.

The positions shown are included as standard in Wa+. The remaining components: See standard W+ section.



| POS | QTY | DESCRIPTION | Wa+10/8 | Wa+22/20 | Wa+30/80 | Wa+30/120 | Wa+35/35 | Wa+35/55 |
|-----|-----|--|-----------|-----------|----------|-----------|----------|----------|
| **1 | 1 | Back plate | ***188739 | ***261576 | 261577 | 261580 | 261578 | 261579 |
| 2 | 1 | O-ring | | | 772570 | 772571 | 772570 | 772570 |
| 3 | 1 | O-ring | 773080 | 772594 | 771905 | 771908 | 771905 | 771905 |
| 4 | 1 | Shaft seal - see page 19 in the standard manual for W+ Pumps | | | | | | |
| *5 | 1 | Extension frame | | | | | | |
| | | Motor 80-112 | ***188739 | ***261576 | | | | |
| | | Motor 90-132 | | | 261586 | 274346 | 261586 | 261586 |
| | | Motor 160-250 | | | 261587 | 274347 | 261587 | 261587 |

| POS | QTY | DESCRIPTION | Wa+50/8 | Wa+55/35 | Wa+55/60 | Wa+60/110 | Wa+70/40 | Wa+80/80 |
|-----|-----|--|---------|----------|----------|-----------|----------|----------|
| **1 | 1 | Back plate | 182799 | 261581 | 261582 | 261583 | 261584 | 261585 |
| 2 | 1 | O-ring | 772571 | 772571 | 772571 | 772572 | 772573 | 772574 |
| 3 | 1 | O-ring | 773087 | 771907 | 771907 | 771909 | 772047 | 772593 |
| 4 | 1 | Shaft seal - see page 19 in the standard manual for W+ Pumps | | | | | | |
| *5 | 1 | Extension frame | | | | | | |
| | | Motor 80-112 | | | | | | |
| | | Motor 90-132 | 800869 | 261588 | 261588 | 261590 | 261592 | 261594 |
| | | Motor 160-250 | | 261589 | 261589 | 261591 | 261593 | 261595 |

* Replace item No. 1 at page 56 in the standard manual for W+ pumps.

** Replace item No. 7 at page 49 in the standard manual for W+ pumps.

*** Identical drawing no. for backplate and extension frame.