

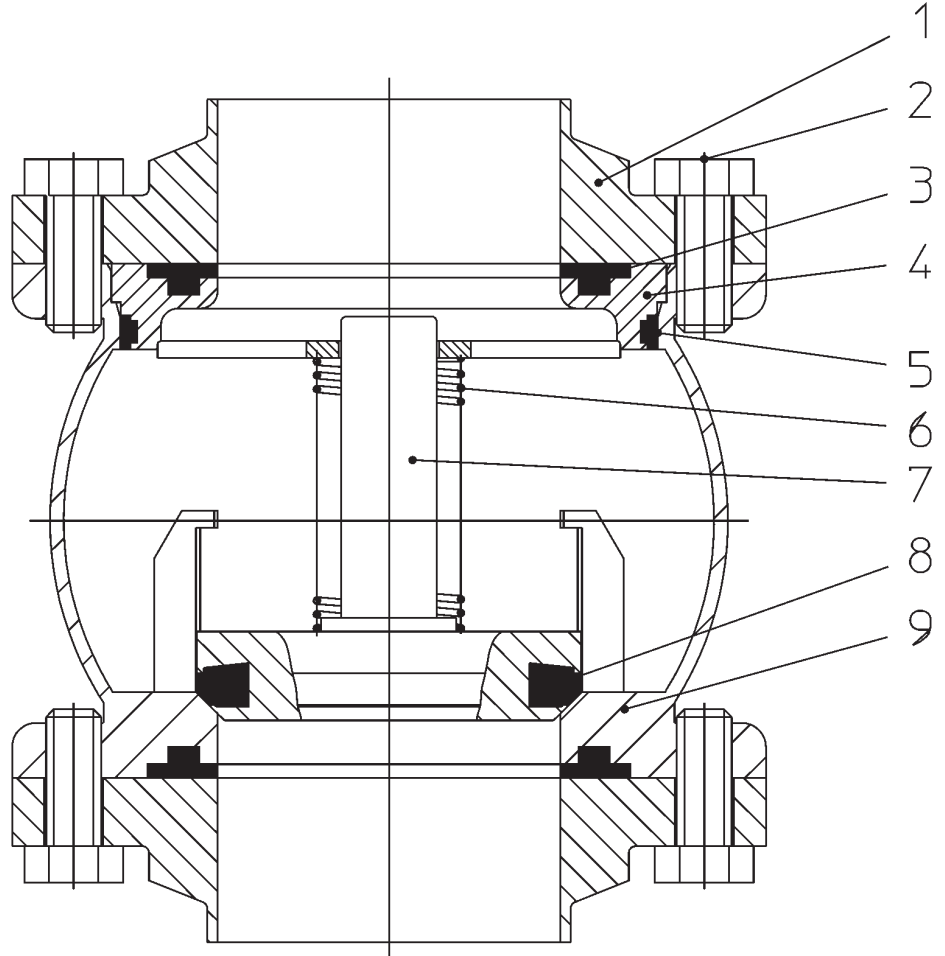
Delta RUF3 Non-Return Valve

The following seal materials are available (fill in last two digits of ref.-no.)

*material seals:

- ../13-Silicone
- ../73-FPM
- ../93-EPDM

For Silicone take the EPDM-housing seal.



DELTA RUF3 NON-RETURN VALVE 125 DN 25-150

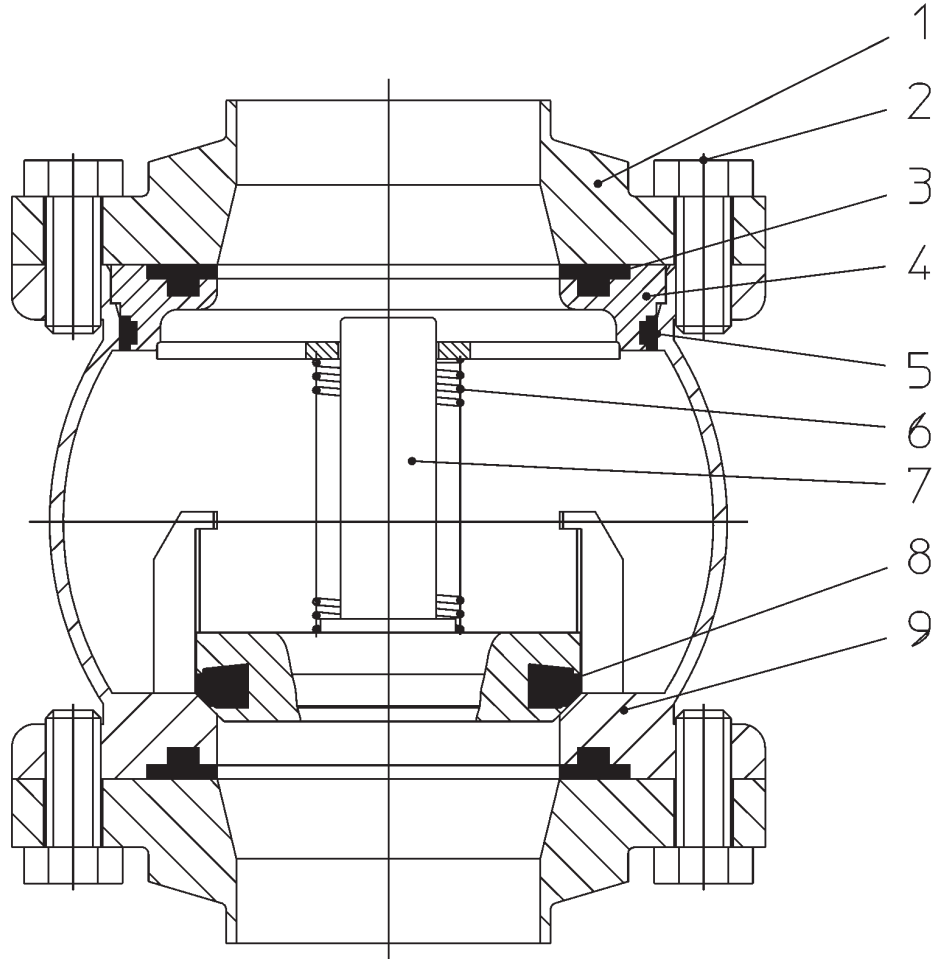
Pos	Qty	Description	Part Number							
			25	40	50	65	80	100	125	150
1	2	Flange	09-51-277/47	09-51-377/47	09-51-427/47	09-51-477/47	09-51-527/47	09-51-627/47	09-51-717/47	09-51-718/47
2		Hex Screw	65-01-083/15	65-01-083/15	65-01-083/15	65-01-083/15	65-01-083/15	65-01-083/15	65-01-133/15	65-01-133/15
3	2	Seal *	58-32-277/	58-32-377/	58-32-427/	58-32-477/	58-32-527/	58-32-627/	58-32-677/	58-32-727/
4	1	Bearing	15-28-299/43	15-28-399/43	15-28-449/43	15-28-499/43	15-28-549/43	15-28-649/43	15-28-699/43	15-28-749/43
5	1	Housing Seal *	58-33-292/	58-33-392/	58-33-442/	58-33-492/	58-33-542/	58-33-642/	58-33-692/	58-33-742/
6	1	Pressure Spring	60-06-490/33	60-06-491/33	60-06-492/33	60-06-493/33	60-06-495/33	60-06-496/33	60-06-497/33	60-06-498/33
7	1	Shaft	15-25-295/42	15-25-395/42	15-25-445/42	15-25-495/42	15-25-545/42	15-25-645/42	15-25-695/42	15-25-745/42
8	1	Seat Seal *	58-01-269/	58-01-370/	58-01-420/	58-01-469/	58-01-519/	58-01-619/	58-01-568/	58-01-582/
9	1	Housing	21-06-298/47	21-06-398/47	21-06-448/47	21-06-498/47	21-06-548/47	21-06-648/47	21-06-698/47	21-06-748/47
		Seal Kit Viton	58-34-210/00	58-34-211/00	58-34-212/00	58-34-213/00	58-34-215/00	58-34-216/00	58-34-217/00	58-34-218/00
		Seal Kit EPDM	58-34-210/01	58-34-211/01	58-34-212/01	58-34-213/01	58-34-215/01	58-34-216/01	58-34-217/01	58-34-218/01
		Seal Kit Silicone	58-34-210/02	58-34-211/02	58-34-212/02	58-34-213/02	58-34-215/02	58-34-216/02	58-34-217/02	58-34-218/02

APV Delta RUF3 Non-Return Valve

The following seal materials are available (fill in last two digits of ref.-no.)

- *material seals:
- ../13-Silicone
- ../73-Viton
- ../93-EPDM

For Silicone take the EPDM-housing seal.



			DELTA RUF3 NON-RETURN VALVE 12S DN 1-4 TUBE						
			1T	1.5T	2T	2.5T	3T(design 1)	3T(design 2)	4T
Pos	Qty	Description	Part Number						
1	2	Flange	09-51-314/47	09-51-414/47	09-51-464/47	09-51-514/47	09-51-552/47	09-51-719/47	09-51-664/47
2		Hex Screw	65-01-083/15	65-01-083/15	65-01-083/15	65-01-083/15	65-01-083/15	65-01-083/15	65-01-083/15
3	2	Seal *	58-32-277/	58-32-377/	58-32-427/	58-32-477/	58-32-555/	58-32-527/	58-32-627/
4	1	Bearing	15-28-299/43	15-28-399/43	15-28-449/43	15-28-499/43	15-28-574/43	15-28-549/43	15-28-649/43
5	1	Housing Seal *	58-33-292/	58-33-392/	58-33-442/	58-33-492/	58-33-567/	58-33-542/	58-33-642/
6	1	Pressure Spring	60-06-490/33	60-06-491/33	60-06-492/33	60-06-493/33	60-06-494/33	60-06-495/33	60-06-496/33
7	1	Shaft	15-25-295/42	15-25-395/42	15-25-445/42	15-25-495/42	15-25-570/42	15-25-545/42	15-25-645/42
8	1	Seat Seal *	58-01-269/	58-01-370/	58-01-420/	58-01-469/	58-01-439/	58-01-519/	58-01-619/
9	1	Housing	21-06-298/47	21-06-398/47	21-06-448/47	21-06-498/47	21-06-573/47	21-06-548/47	21-06-648/47
		Seal Kit Viton	58-34-210/00	58-34-211/00	58-34-212/00	58-34-213/00	58-34-214/00	58-34-215/00	58-34-216/00
		Seal Kit EPDM	58-34-210/01	58-34-211/01	58-34-212/01	58-34-213/01	58-34-214/01	58-34-215/01	58-34-216/01
		Seal Kit Silicone	58-34-210/02	58-34-211/02	58-34-212/02	58-34-213/02	58-34-214/02	58-34-215/02	58-34-216/02

Attention! Valve RUF3-3Tube: Design 1 valid until summer 1998. Design 2 valid from summer 1998.